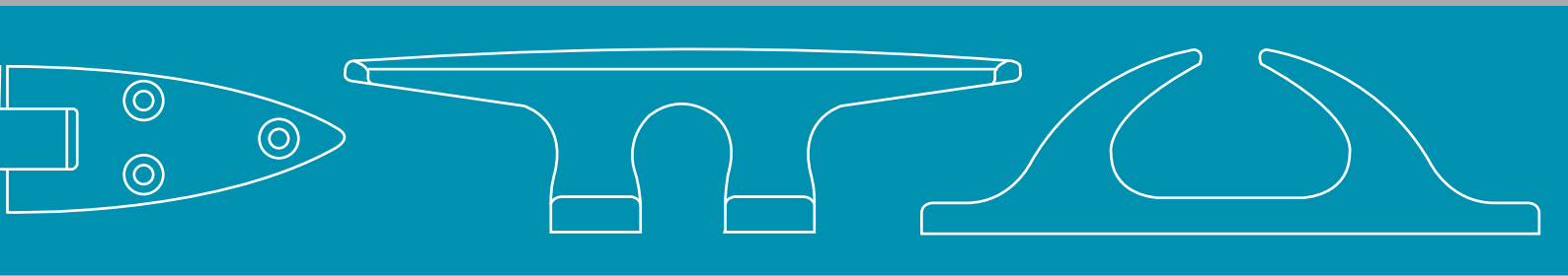


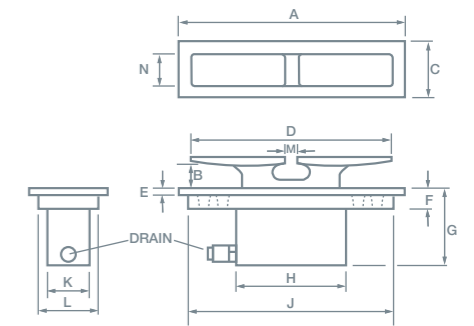
YS Fittings



CONTENTS

Bitt type bollard	5
Bow rollers	10
Chain pipe	8
Deck fillers	8
Deck or mast cleat	5
Drop nose pins	13
Fender eyes	15
Fish plate connector	11
Fixed portlight	9
Flagstaff socket	13
Handed fairleads	6
Handle	13
Handrail brackets through & stopped	14
Hinge	14
Jammer deck cleats	4 - 5
Lacing eyes & hooks	15
Lifting cleat	3
Open & closed fairleads	11
Opening portlight	9
Pointed strap hinge	15
Raked bollard	5
Rectangular portlight	9
Sheerline deck cleats	3 - 4
Small hatch hinge	14
Stanchions	12
Stanchion bases	12
Spring cleat	11
Straight fairleads	7
Through fairleads	8

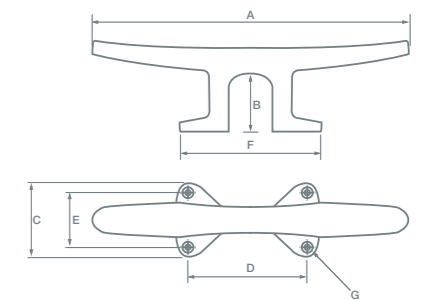
Lifting cleat



YS7400A - D

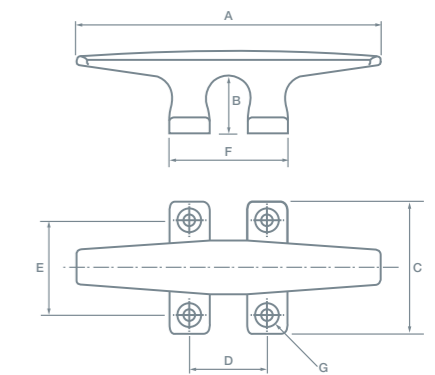
Part No.	A mm	B mm	C mm	D mm	E mm	F mm	G mm	H mm	I mm	J mm	K mm	L mm	M mm	N mm	Wt kg	Drain dia. (BSP)
YS7400A	195	30	69	160	7	25	97	127	177	36	53	20	38.5	M6	1.6	1/2"
YS7400B	296	35	80	256	10	28	118	163	281	45	64	26	48	M8	3.0	1/2"
YS7400C	348	40	90	305	10	32	125	202	330	50	72	32	54	M8	4.5	1/2"
YS7400D	400	43	100	360	10	33.5	139	232	374	51	85	40	62	M9	5.7	3/4"

Sheerline deck cleats



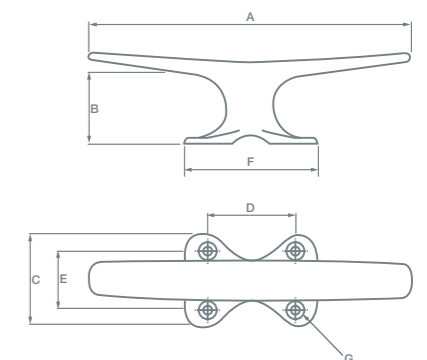
YS7106A

Part No.	A mm	B mm	C mm	D mm	E mm	F mm	G mm	Wt kg
YS7106A	245	43	68	95	44	117	M6	1.40
YS7106B	307	54.5	80	120	50	151.5	M8	1.00



YS7109A - E

Part No.	A mm	B mm	C mm	D mm	E mm	F mm	G mm	Wt kg
YS7109A	153	27	69	40	46	64	M8	0.28
YS7109B	205	36	80	55	56	83	M8	0.60
YS7109C	265	42	104	75	74	107	M8	1.00
YS7109D	311	42	104	67	75	105	M8	1.10
YS7109E	362	48	117	76	78	116	M10	1.40



YS7110A-D

Part No.	A mm	B mm	C mm	D mm	E mm	F mm	G mm	Wt kg
YS7110A	91	9	35	36	20	54	M4	0.04
YS7110B	103	4	34	31	22	46	M4	0.05
YS7110C	132	8	44	37	28	56	M5	0.08
YS7110D	167	7.5	50	46	30	71	M5	0.16

Quality Aluminium Marine Hardware

YS Fittings are manufactured by Allen Brothers in a dedicated foundry at their factory in Essex, UK.

Using specialist techniques and experience developed over 40 plus years, our skilled craftsmen create beautiful hand-polished marine fittings. The light, high grade aluminium used in the casting process has an extremely high tensile strength and the silver anodizing at 15 microns is exceptionally durable and protective against the tough marine environment.

YS fittings not only look and feel good, they are practical, hardwearing and thoughtfully designed for the discerning yachtsman or the yacht building industry.



Sheerline deck cleats



YS7111A - G

Part No.	A mm	B mm	C mm	D mm	E mm	F mm	G mm	Wt kg
YS7111A	161	18	58	52	38	75	M6	0.25
YS7111B	207	23	65	60	46	84	M6	0.30
YS7111C	254	28.5	83	75	57	107	M8	0.65
YS7111D	305	29	82	78	57	112	M8	0.75
YS7111E	355	30	87	84	60	121	M8	1.00
YS7111F	405	33	90	88	62	128	M8	1.35
YS7111G	450	34	107	94	77	135	M10	2.00



YS7115A - C

Part No.	A mm	B mm	C mm	D mm	E mm	F mm	G mm	Wt kg
YS7115A	156	23	32	48	-	75	M6	0.18
YS7115B	179	25	33	54	-	83	M6	0.20
YS7115C	201	28	37	59	-	86	M6	0.30



YS7180A - E

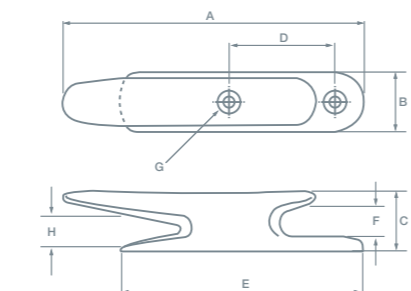
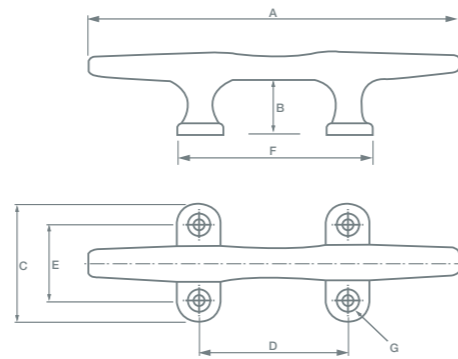
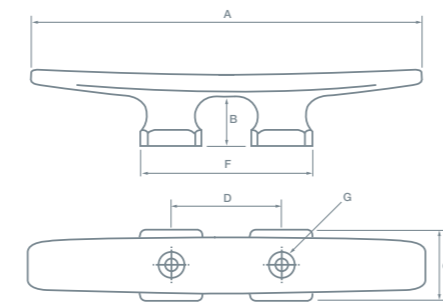
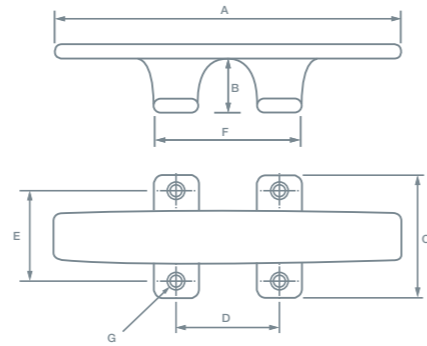
Part No.	A mm	B mm	C mm	D mm	E mm	F mm	G mm	Wt kg
YS7180A	142	21.5	45	58	29	78	M5	0.10
YS7180B	166	21	48	69	31	90	M5	0.20
YS7180C	202	31	65	79	42	105	M6	0.25
YS7180D	246	32	75	97	49	123	M8	0.45
YS7180E	296	44	89	125	60	154	M10	0.75

Jammer deck cleat



YS7164A

Part No.	A mm	B mm	C mm	D mm	E mm	F mm	G mm	H mm	Wt kg
YS7164A	155	30	38	35	132	18	M6	-	0.25



YS7164C

Part No.	A mm	B mm	C mm	D mm	E mm	F mm	G mm	H mm	Wt kg
YS7164C	150	30	30	53	64	-	M6	16	1.83



YS7107A - F

Part No.	A mm	B mm	C mm	D mm	E mm	F mm	G mm	Wt kg
YS7107A	83	10	16.5	20	38	-	M5	0.03
YS7107B	112	10	20	26	49	-	M5	0.06
YS7107C	158	18	28	30	64	-	M6	0.15
YS7107D	178	20	29	35	71	-	M6	0.25
YS7107E	205	21	31.5	35	75	-	M6	0.26
YS7107F	253	25	38.5	45	101	-	M10	0.50



YS7112A - F

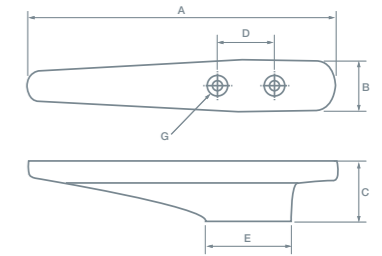
Part no.	A mm	B mm	C mm	D mm	E mm	F mm	G mm	Wt. (kg)
YS7112A	144	44	38	54	20	131	M5	0.15
YS7112B	173	44	49	65	28	153	M5	0.35
YS7112C	195	49	61	80	39	183	M6	0.50
YS7112D	276	63	70	102	46	237	M8	1.00
YS7112E	312	78	70	135	42	301	M8	1.60
YS7112F	402	106	98	175	62	389	M10	4.20



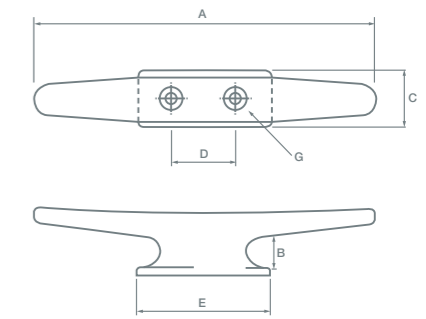
YS7300B

Part No.	A mm	B mm	C mm	D mm	E mm	F mm	G mm	H mm	Wt (kg)
YS7300A	175	122	122	94	-	55	M8	16	1.50
YS7300B	200	170	140	110	-	80	M8	16	2.50

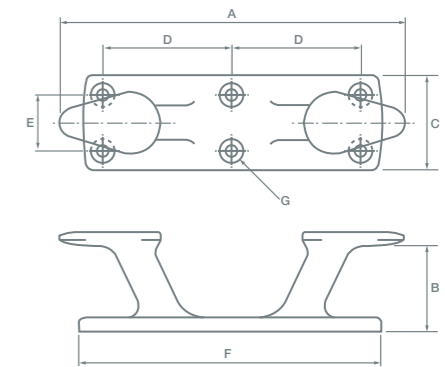
Jammer deck cleat



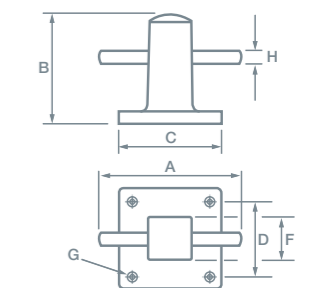
Deck or mast cleat



Raked bollard



Bitt type bollard

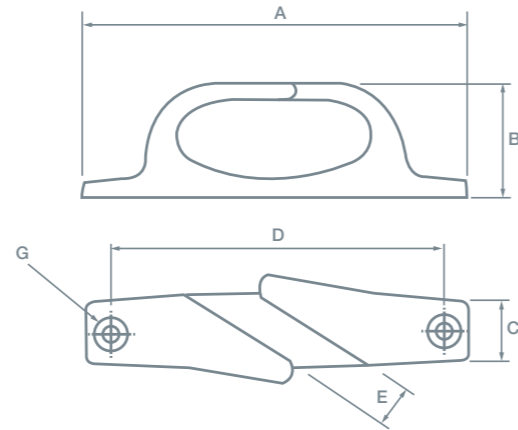


Handed fairleads



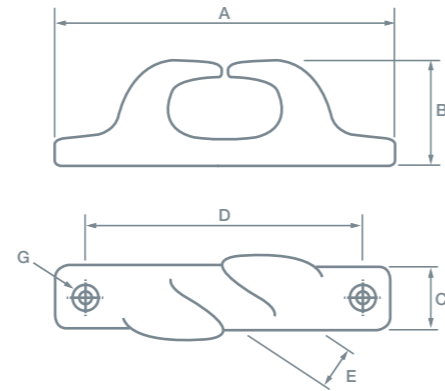
YS7119D

Part No.	A mm	B mm	C mm	D mm	E mm	F mm	G mm	WT kg
YS7119D	173	50	37	147	24	-	M8	0.30



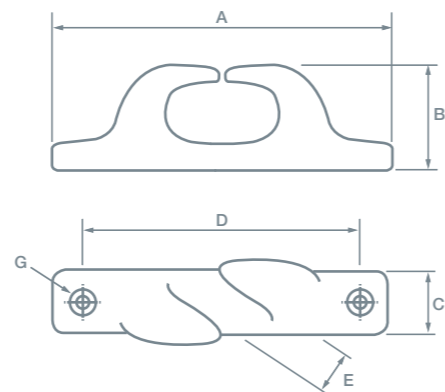
YS7120A - F

Part No.	A (mm)	B (mm)	C (mm)	D (mm)	E (mm)	F (mm)	G (mm)	WT (kg)
YS7120A	86	31	14.5	67.5	12.5	-	M5	0.15
YS7120B	105	33	23.5	84	18	-	M5	0.20
YS7120C	128	38	30	105	18	-	M6	0.35
YS7120D	160	42	33	132	18	-	M8	0.58
YS7120E	177	46	32.5	150	21	-	M8	0.80
YS7120F	219	58	44.5	178	31	-	M10	1.45



YS7121C - E

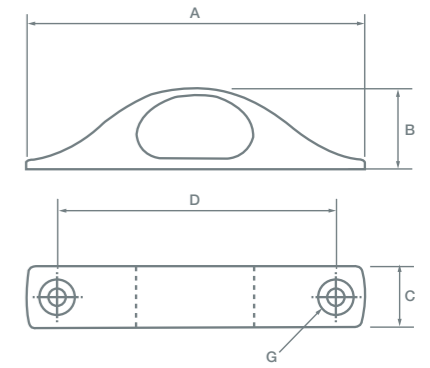
Part No.	A mm	B mm	C mm	D mm	E mm	F mm	G mm	WT kg
YS7121C	134	40.5	29	111	17	-	M6	0.32
YS7121D	158	50	32	134	19.5	-	M8	0.36
YS7121E	210	62.5	41	175	29.5	-	M10	0.60



YS800A

Part No.	A mm	B mm	C mm	D mm	E mm	F mm	G mm	Wt. kg
YS800A	159	43	32	127	-	-	M8	0.20

Straight fairleads

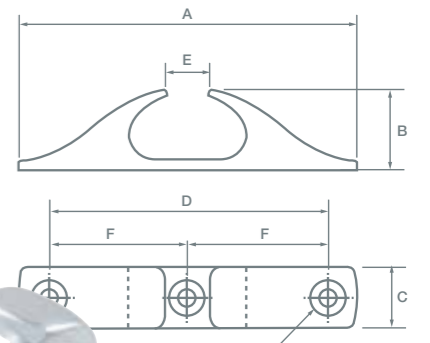


YS7117A

YS7117B

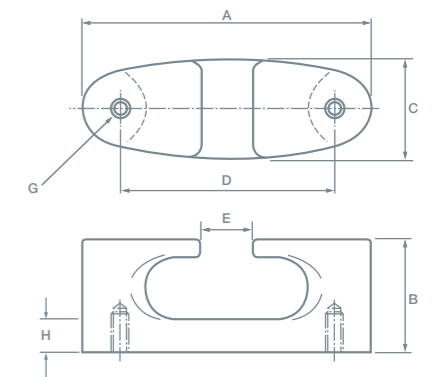
YS7117C

Part No.	A mm	B mm	C mm	D mm	E mm	F mm	G mm	Wt. kg
YS7117A	145	40	29	117	15	-	M8	0.25
YS7117B	177	55	37	151	29	-	M8	0.35
YS7117C	196	63	42	165	40	85	M8	0.55



YS8380 - A

Part No.	A mm	B mm	C mm	D mm	E mm	F mm	G mm	Wt. kg
YS8380	107	50	41	78	20	-	M8	0.35
YS8380A	127	68	49	93	25	-	M10	0.60

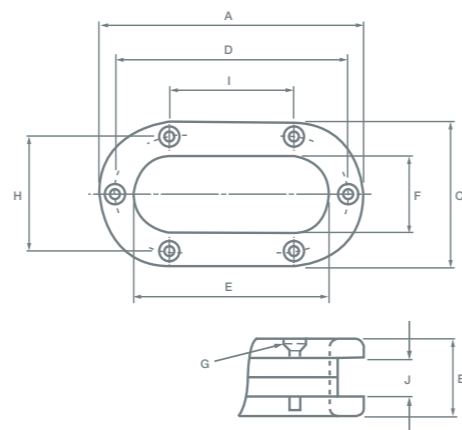


Through fairleads



YS863B

Part No.	A mm	B mm	C mm	D mm	E mm	F mm	G mm	H mm	I mm	J mm	Wt. kg
YS863A	109	32	58	95	79	30	M4	44	50	9	0.16
YS863B	136	40	72	117	100	42	M5	60	45	16	0.30
YS863C	164	72	100	135	111	52	M6	77	65	14	0.80

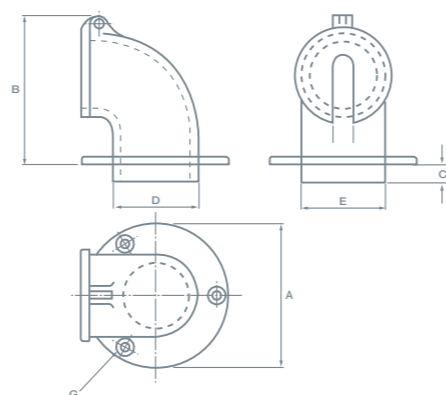


Chain pipe



YS7138A - B

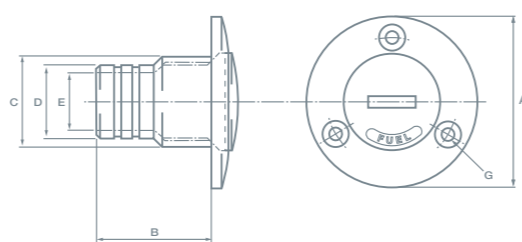
Part No.	A mm	B mm	C mm	D mm	E mm	F mm	G mm	H mm	I mm	J mm	Wt. kg
YS7138A	80	80	10	45	35	-	M5	-	-	-	0.30
YS7138B	105	105	25	65	50	-	M6	-	-	-	0.60



Deck fillers



YS812



Part No.	A mm	B mm	C mm	D mm	E mm	F mm	G mm	Wt. kg
YS812	88	62	48	40	30	-	M6	0.23
YS813	94	72	59	51	45	-	M6	0.35
YS851	94	72	59	51	45	-	M6	0.35

YS813



YS850



Labels

Part No.	Description	Colour
YS-WASTE	Waste Label	Black
YS-FUEL	Fuel Label	Red
YS-WATER	Water Label	Blue

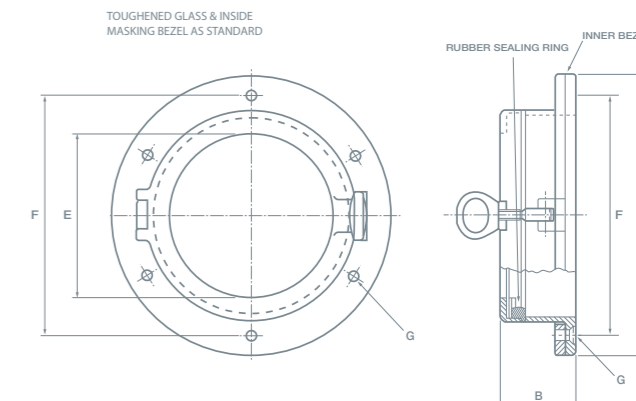


Opening portlight



YS7148A

Part No.	A mm	B mm	C mm	D mm	E mm	F mm	G mm	Wt. kg
YS 7148A	230	58	-	-	130	201	M5	1.40

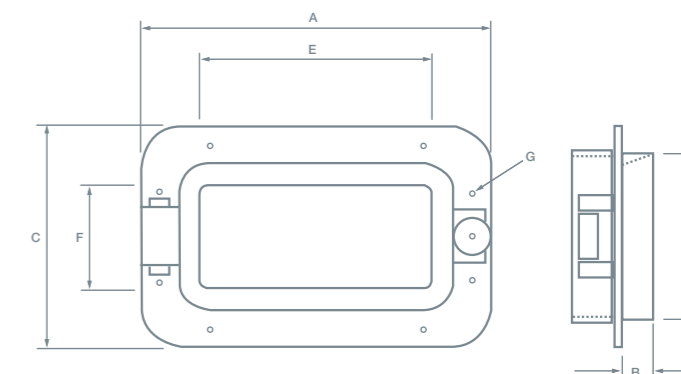


Rectangular portlight



YS7149A

Part No.	A mm	B mm	C mm	D mm	E mm	F mm	G mm	Wt. mm
YS7149A	225	20	175	140	148	98	M6	1.75

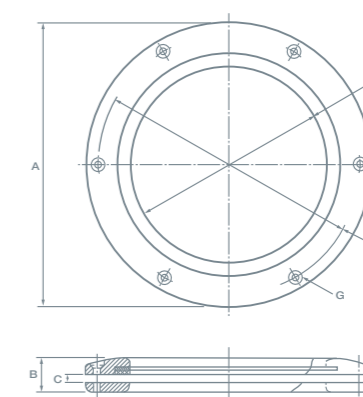


Fixed portlight



YS871A

Part No.	A mm	B mm	C mm	D mm	E mm	F mm	G mm	Wt. mm
YS871A	220	25	-	-	150	200	M5	1.00

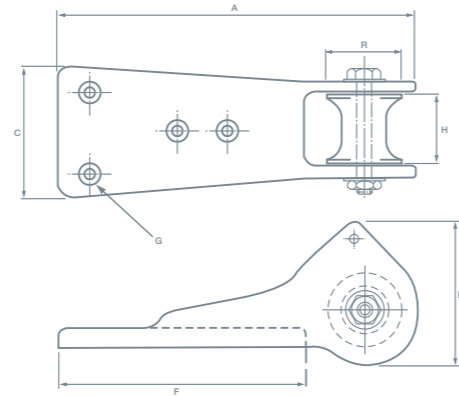


Bow rollers



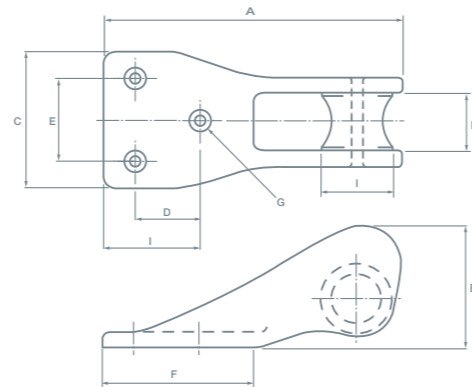
YS7181S

Part No.	A mm	B mm	C mm	D mm	E mm	F mm	G mm	H mm	I mm	R mm	Wt kg
YS7181S	245	100	100	-	-	170	M8	55	-	50	1.55



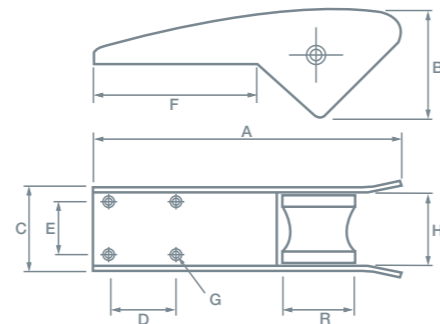
YS869A

Part No.	A mm	B mm	C mm	D mm	E mm	F mm	G mm	H mm	I mm	R mm	Wt kg
YS869A	165	70	70	40	45	80	M6	30	53	41	0.45



YS7181B

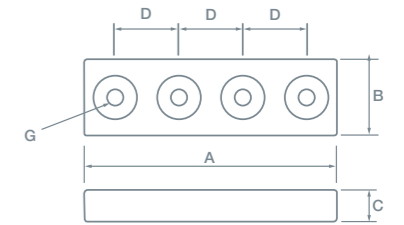
Part No.	A mm	B mm	C mm	D mm	E mm	F mm	G mm	H mm	I mm	R mm	Wt kg
YS7181B	333	135	95	75	45	170	M8	75	-	77	1.80



YS16A

Part No.	A mm	B mm	C mm	D mm	E mm	F mm	G mm	Wt kg
YS16A	102	31.5	12.5	25.4	-	-	M6	0.03

Fish plate connector



Open & closed fairleads

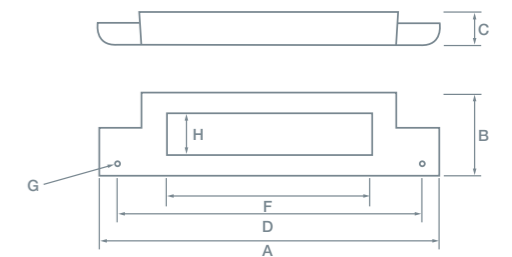
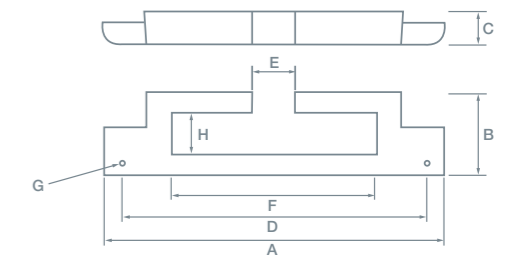


YSTR-FI-Plain



YSTR-FIC-Plain

Part No.	A mm	B mm	C mm	D mm	E mm	F mm	G mm	Wt kg
YSTR-FI-Plain	213	46.5	22	192	128	M5	26.5	0.35
YSTR-FIC-Plain	213	52	22	192	-	M5	26.5	0.35

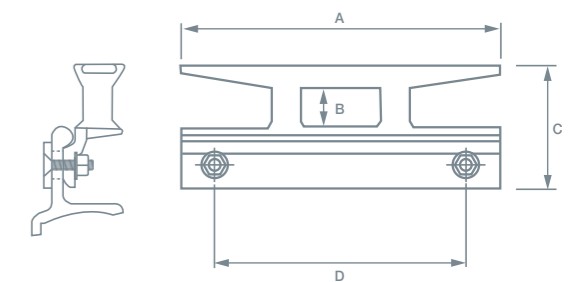


Spring cleat



YS9185

Part No.	A mm	B mm	C mm	D mm	E mm	F mm	G mm	H mm	J mm	K mm	Wt kg
YS9185	200	21.5	73	150	-	-	-	-	-	-	0.60

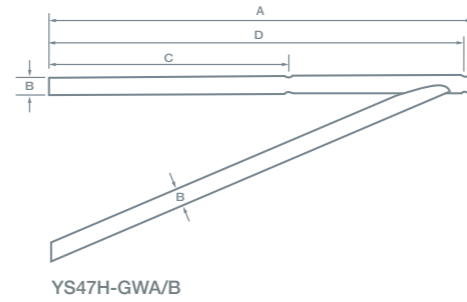


Stanchions

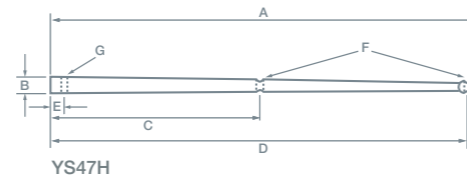


YS47H-GWA/B YS47H YS7165A - C

Part No.	A mm	B mm	C mm	D mm	E mm	F mm	G mm	Wt kg
Gangway gates								
YS47H-GWA/B	610	25.4	345	597	-	-	-	1.62
YS47K-GWA/B	686	25.4	375	675	-	-	-	1.85
Toe rail stanchion								
YS47H	610	25	345	593	25.4	254	5	0.70
Tapered stanchion								
YS7165A	508	25.4	-	497	25.4	-	4.8	0.30
YS7165B	635	25.4	305	622	25.4	315	4.8	0.39
YS7165C	762	25.4	357	750	25.4	395	4.8	0.46



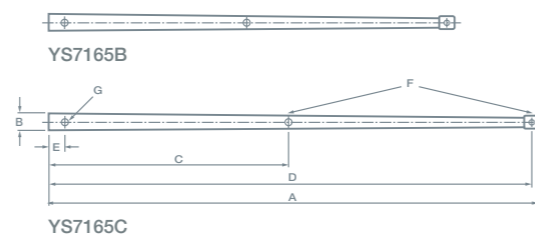
YS47H-GWA/B



YS47H



YS7165A



YS7165C

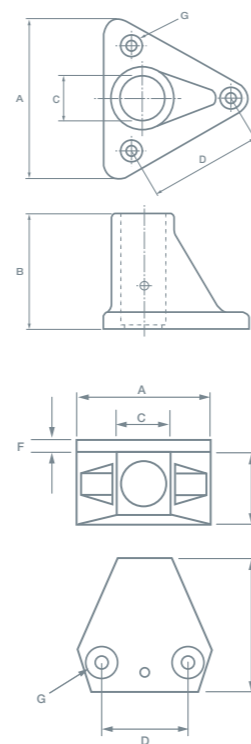
Stanchion bases



YS7157A YS7157B

YS47-20

Part No.	A mm	B mm	C mm	D mm	E mm	F mm	G mm	Wt kg
YS7157A	95.5	67.5	25.4	64	-	-	M6	0.30
YS7157B	90	63.5	25.5	70	-	-	M6	0.25
YS47-20	74	74	26.5	44.5	37	5.5	M6	0.50

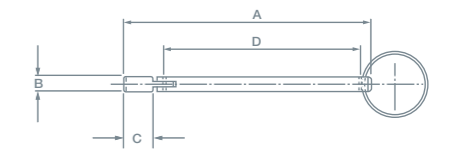


Drop nose pins



YS7134P YS7181P YS7181DP

Part No.	A mm	B mm	C mm	D mm	Wt kg
YS7134P	85	8	12	58	0.014
YS7181SP	120	8	12	92	0.016
YS7181P	148	8	25	115	0.015
YS7181DP	107	8	15	80	0.012

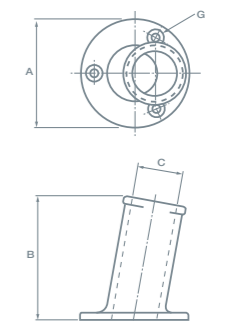


Flagstaff socket



YS7141A - B

Part No.	A mm	B mm	C mm	D mm	E mm	F mm	G mm	Wt kg
YS7141A	67.5	71	25.4	-	-	-	M5	0.15
YS7141B	61	72	19	-	-	-	M5	0.11

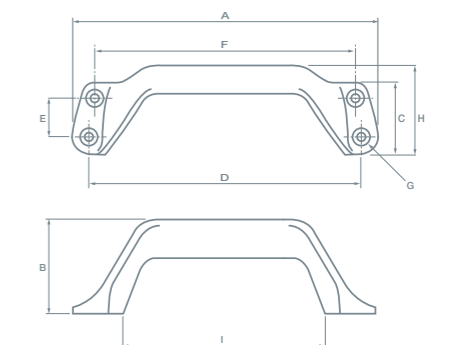


Handle

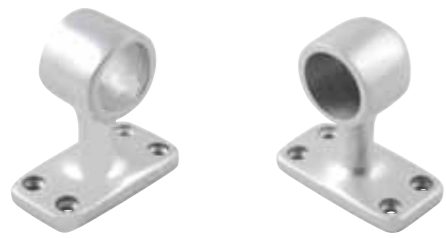


YS7183A

Part No.	A mm	B mm	C mm	D mm	E mm	F mm	G mm	H mm	I mm	Wt kg
YS7183A	175	55	41	157	25	150	M5	50	90	0.20

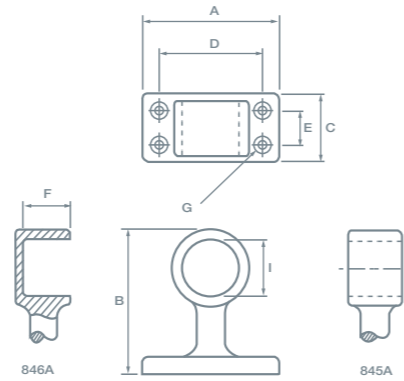


Handrail brackets through & stopped



YS845A YS846A

Part No.	A mm	B mm	C mm	D mm	E mm	F mm	G mm	H mm	I mm	Wt kg
YS845A	65	70	32	45	18	-	M4	-	25.4	0.14
YS846A	65	70	32	45	18	20	M4	-	25.4	0.14

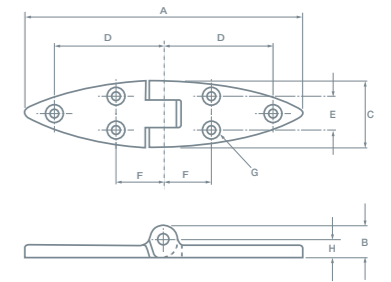


Pointed strap hinge



YS7176A

Part No.	A mm	A' mm	B mm	C mm	D mm	E mm	F mm	G mm	H mm	I mm	J mm	Wt kg
YS7176A	125	-	15	30	50	15	22	M5	5	-	-	0.10

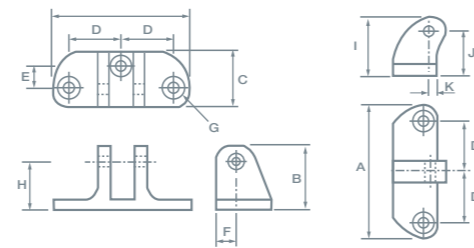


Small hatch hinge



YS7173C

Part No.	A mm	B mm	C mm	D mm	E mm	F mm	G mm	H mm	I mm	J mm	Wt kg
YS7173C	80	35	30	25	12.5	10	M6	25	37	28	0.10

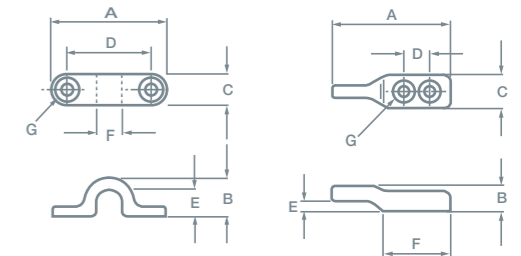


Lacing eyes & hooks



YS7161A YS853A

Part No.	A mm	B mm	C mm	D mm	E mm	F mm	G mm	Wt kg
YS7161A	44	16.5	10.5	31	8.5	10	M4	0.06
YS853A	45	12	10	30	10	10	M4	0.03



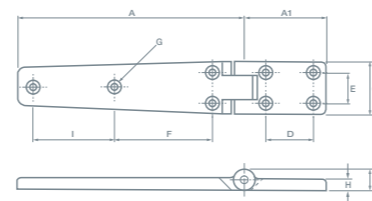
YS7161A YS853A

Hinge



YS7174A - B

Part No.	A mm	A' mm	B mm	C mm	D mm	E mm	F mm	G mm	H mm	I mm	J mm	Wt kg
YS7174A	108	45	12	30	19	15	40	M5	7	38	-	0.10
YS7174B	140	65	15	35	37	19	50	M6	7	52	-	0.10

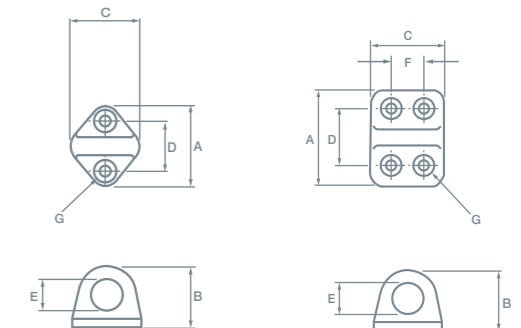


Fender eyes



YS852A - Two fixing holes YS7125A - Four fixing holes

Part No.	A mm	B mm	C mm	D mm	E mm	F mm	G mm	Wt kg
YS852A	35	26.5	30	24	13	-	M4	0.02
YS7125A	50	32	38	36	17.5	21	M5	0.039



YS852A YS7125A

