



2019 - 2020

Performance Hardware





## CONTENTS

<b>BLOCKS</b>	<b>6</b>	<b>Mast &amp; Deck Cleats</b>	<b>37</b>	<b>RUDDER STOCKS &amp; ACCESSORIES</b>	<b>67</b>
20mm Dynamic Blocks	7	Jam Cleats	37	Tiller Extensions - Carbon	67
XHL Dynamic Blocks	9	V Cleats	37	Tiller Extensions - Blue Carbon	68
30mm Dynamic Blocks	10	Pump Action Cleat	37	Aluminium Tiller Extensions	68
40mm Dynamic Blocks	13	<b>TRACK &amp; KEELBAND</b>	<b>38</b>	Tiller Extension Universal Joints	67
Tii Blocks & Tii Shackles	16	Mast Tracks	38	Rudder Stocks	69
Dog Bones	16	Track for Travellers	39	Tiller Extension Universal Joints	69
High Load Thimbles	17	Track End Stops	39	Transom Plates, Pintles & Gudgeons	70
Pad-Tii	17	Keelbands	39	Rudder Retaining Equipment	70
50 & 60mm Dynamic Blocks	18	<b>DECK &amp; HULL FITTINGS</b>	<b>40</b>	Rudder Pintles & Gudgeons	71
Ratchet Blocks	20	Traveller Cars	40	<b>SAILMAKERS HARDWARE</b>	<b>72</b>
High Tension Blocks	22	Self Tacking Jib System	42	Batten Hardware	72
Classic Blocks	24	Track Slides	43	Jib Hanks	73
V Cleat Blocks	24	Snatch & Shroud Plates	43	Luff & Cunningham Blocks	73
Light Weight Plain Bearing Blocks	25	Snatch Fairleads & Lacing Hooks	43	Sail Headboards	73
Plain Bearing Reinforced Blocks	25	Hatch Covers	44	Sail Ring	73
Sheaves	28	U Bolts	45	Sail Track Slides & Slugs	74
Stainless Steel Springs	26	Anchor Plates	45	Sail Shackles	75
Snatch Blocks	27	Lacing Eyes	46	Thimbles	75
Stanchion Mounted Blocks	27	Fairleads	48	<b>SHACKLES</b>	<b>76</b>
<b>CLEATS &amp; JAMMERS</b>	<b>29</b>	Deck Bushes	51	Forged Shackles	76
Cam Cleats	30	Anodised Aluminium Deck Bushes	51	Pressed Shackles	77
Mainsheet Jammers	32	Self Bailers	50	Round Body Shackles	77
Swivel Cleats	34	Drain Sockets & Bungs	50	Strip Shackles	78
Clamcleats®	36	Self Tapping Nuts	50	<b>ACCESSORIES</b>	<b>79</b>
		Pad-Tii	53	Aerovane Wind Indicators	79
		<b>SPARS &amp; RIGGING</b>	<b>54</b>	Burgees	80
		Stay & Vernier Adjusters	54	Trapeze Equipment	82
		Fast Pins & Reaching Hooks	55	Keyball Trapeze Equipment	82
		Clevis Pins & Split Rings	55	Inglefield Clips	80
		Dynamic Rig Adjustment Kits	56	Tidy Clips	80
		Highfield Levers	56	Nylon Hooks	80
		Furling Gear & Swivels	57	Stainless Steel Hooks	81
		Gooseneck Sleeves	57	Ball Stoppers	84
		Goosenecks	57	Boat Hook	84
		Sheave Boxes	58	Rowlocks & Sockets	84
		Mast Head Sheave Boxes	59	Toe Strap Plates & Buckles	85
		Mast Gates & Step	59	Splicing Kit	85
		Mast Tangs	59	Race Packs	86
		Boom Slides	59	Spares & Replacement Parts	87
		Spreader Hardware	60	<b>YACHT &amp; KEELBOAT FITTINGS</b>	<b>88</b>
		Mast Brackets & Boom Straps	61	Cleats	86
		Halyard Exit Plates	62	Bollards	90
		Halyard Hook Racks	62	Bow Rollers	90
		Muscle Box	62	Drop Nose Pins	91
		Mast & Tube Plugs	62	Furling Boom Claw Ring	91
		Mast Deck Chocks	63	Chain Pipes	91
		Mast Base Organiser	63	Cast Aluminium Yacht Fairleads	92
		Mirror Dinghy Mast Fittings	63	Cast Portlights	94
		Rigging Screws	64	Aluminium Yacht Stanchions & Bases	95
		Wire Stud Terminals	64	Flagstaff Sockets	96
		Wire Eye Terminals	64	Handrail Brackets	96
		Wire Fork Terminals	64	Fender Eye	96
		Wire 'T' Terminals	64	Winch Handles	96
		Eye Bolts	64	Deck Fillers	97
		Rig Spanner	66	Hinges	97
		Boom's	66	<b>PRODUCT CODE INDEX</b>	<b>98</b>
		Spinnaker Pole & Accessories	66		

Allen Brothers Ltd  
Hallmark Industrial Estate  
Southminster  
Essex CM0 7EH  
United Kingdom  
T +44 (0)1621 774689  
F +44 (0)1621 773872  
E sales@allenbrothers.co.uk

**Please note**  
Photographs and illustrations are not to scale unless specified.  
**Graphic Design**  
tracy@tasdesign.co.uk  
**Product Photography**  
andy@andyrosephotography.co.uk

Allen products are warranted to be of merchantable quality and fit for the purpose for which they are sold. In addition, Allen products are guaranteed for life against defects in workmanship, subject to reasonable use. We will replace products which are found to have failed through manufacturing and raw material defects. The parts must have been fitted in accordance with our technical instructions, where present, and in any event following the professional guidance of our stockist or representative. No cash alternative or damages arising out of any failure will be met. While we take every reasonable effort to ensure the accuracy of specifications published in the Allen catalogue, website and marketing materials, no liability will be accepted for errors and omissions. In the unlikely event of a claim, please return the part to Allen Brothers with a description of the circumstances. Your statutory rights are not affected.

BLOCKS

CLEATS & JAMMERS

TRACK & KEELBAND

DECK & HULL FITTINGS

SPARS & RIGGING

RUDDER STOCKS & ACCESSORIES

SAILMAKERS HARDWARE

SHACKLES

ACCESSORIES

YACHT & KEELBOAT FITTINGS

PRODUCT CODE INDEX

The Allen brothers Tony and Glenn started their business with a vision of performance sailing hardware driven by innovation and technology. The first products they produced for their own race boats were such an improvement on everything then in use, customers demanded they set up production to meet the market.

Those principles still hold true and the company has grown in the past 60 plus years to become a major exporter, selling high-performance sailing hardware to the World. This concentration on design meant tooling often had to be produced in-house and the vast majority of research, design, prototyping, tooling and production still takes place at the Allen factory in Southminster, Essex, UK.

We have invested heavily in Computer Aided Design and Manufacturing and were one of the early adopters of 3D printing for rapid prototyping in 2010. In 2018, we updated our Vertical Machining Centres and invested in new production planning software to improve output and customer service. This gives Allen the ability to match the high quality/low production volume demands of boat builders, both in catalogue and custom products, so Allen is the choice of sailboat builders as well as being a leading supplier to the aftermarket. Much of the inspiration for products comes from our elite sailors, Team Allen, Members of the British and many European Sailing Teams, especially in the high-performance classes such as the 49er and Nacra 17 foiling catamaran, have long associations with the business and their feedback and knowledge are invaluable in driving the next generation of innovative sailing products.





**In-House Resources include:**

**Design & CAD modelling** – using advanced PTC Creo CAD software our design team can quickly develop new ideas and designs into computer models, which can be structurally assessed with our Ansys computer simulated stress analysis software. Prototype models can be seen within hours using our Dimension 3D part printer.

**Tool making** - finished designs are seamlessly progressed through the tool making stages using the parametric features of PTC Creo tool design and NC machining software. Our toolmakers can produce single or multi-impression tools for injection moulding, sheet metal pierce and blank tools, secondary operation form tools, assembly jigs and fixtures.

**Component parts** - our factory is equipped to manufacture a diverse range of parts. So we can be particularly flexible in the production of short-run specialist parts, and low to medium volume quantities.

**CNC injection moulding** - we are experts in the use of advanced engineering polymers and composites such as carbon

fibre filled acetals and nylons.

**CNC turned parts** - our 5 axis sliding head lathes produce high precision parts in all materials.

**CNC sheet metal forming** – Our presses produce pierced and blanked parts, with secondary forming.

**CNC milled parts** – 2 HAAS 3-axis vertical milling centres allow us to make precision milled parts in a range of material from marine grade 6082 aluminium to Brass & Acetal.

**Aluminium gravity cast parts** – are cast in our own in-house foundry.

**Fabrication** - our versatile and skilled workforce can provide fully assembled products, using a range of techniques such as welding, drilling, riveting, threaded fasteners, adhesives, pad-printing and packing.

**Sales and distribution** - Our efficient and dedicated sales team is ready to take your orders and will endeavour to dispatch all orders received before 3 pm on the same day, if in stock. Worldwide distribution can be arranged by our export manager.



*“You can’t go wrong with the A2020. its reliable and smooth, by far my favourite 20mm block.”*  
Stuart Bithell

**Team Allen 2018**

Aaron Evans	Topper	GBR
Nick Evans	Allen Academy Optimist	GBR
Andrea Tesei	49er	ITA
Barbara Cornudella	470	ESP
Ben Harden	Blaze	GBR
Ben & Gabe Hill	Graduate & Enterprise	GBR
Ben Hutton-Penman	RS Feva/RS Aero 5	GBR
Billy Vennis-Ozanne	29er & 49er	GBR
Charlotte Dobson	49erFX	GBR
Chris Feibusch	RS800	GBR
Chris Rashley	Nacra 17	GBR
Chris Taylor	49er & BAR Junior Helm	GBR
Christian Birrell	Merlin Rocket & Fireball	GBR
David Kenefick	International Moth	IRL
Diego Botin	49er	ESP
Drew Wright	420	GBR
Dylan Collingbourne	RS Feva & 29er	GBR
Dylan Fletcher	49er & International Moth	GBR
Dylan McPherson	RS Feva & 420	GBR
Fynn Sterrit	49er	GBR
George Hand	Musto Skiff & J70	GBR
Gianluigi Ugolini	Nacra 17	ITA
Jacopo Plazzi	49er	ITA
Jake Cookson	Land Yacht	GBR
James Peters	49er	GBR
James Taylor	470	GBR
Jamie Harris	420 & 470	GBR
Lago L.Marra	49er	ESP
Laura Marimon	Nacra 17	GBR
Maria Giubilei	Nacra 17	ITA
Martin Wrigley	470	GBR
Megan Pascoe	2.4m & Merlin Rocket	GBR
Rhys Lewis	420	GBR
Sam Battern	49er	GBR
Sam Breary	Fireball	GBR
Sara Lopez	470	ESP
Saskia Tidey	49erFX	GBR
Steve Hall	Merlin Rocket	GBR
Stuart Bithell	49er & International Moth	GBR
Thomas Gillard	Fireball & Streaker	GBR
Tom Clayton	International 14	GBR





## Blocks

### Key for load rating tables

#### Maximum Working Load (MWL)

The maximum load that the block will endure with repeated sheave movement

#### Breaking Load

The load at which a major block failure is likely to occur

20MM BLOCKS

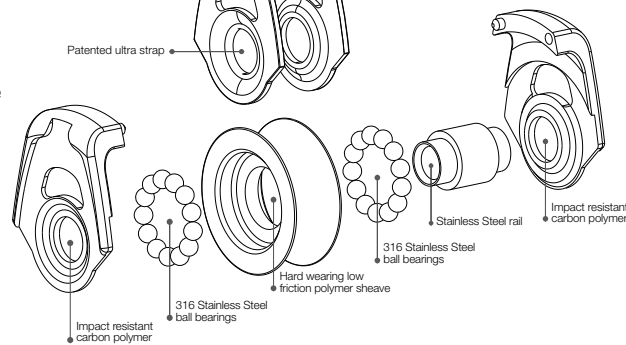


Ovington 29er - Credit: Alan Hannah

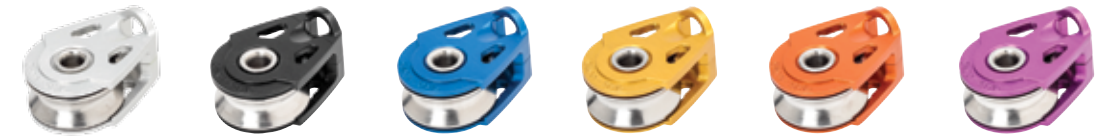


### 20mm Dynamic Blocks

20mm Dynamic Blocks featuring the patented Allen Dynamic bearing system which provides an unrivalled weight to performance ratio. This is coupled with our high strength and rope friendly stainless steel ultra-strap; making them amongst the strongest and most reliable ball bearing blocks on the market. The range is available with different types of accessories including lacing eyes, hooks, swivels and cleats. The range also features a central rivet that provides great options as a tie on becket. You'll find a 20mm block to suit most control line applications.



Part	Description	Length mm	Max Line Dia. mm	Shackle Pin mm	Breaking Load kg	MWL kg	Weight g	Fixing Hole Centres mm
A2020	Single	37	6	-	540	115	11.1	-
A2020HL	Single High Load - Stainless Steel Sheave	37	6	-	540	250	17.5	-
A2020HL-4036	Single High Load With Lacing Eye	52	6	-	500	250	21.1	15
A2020TII	Single Tii-On	29	6	-	540	115	11	-
A2021	Single Multi Function	35	6	-	350	115	11.5	-
A2026	Single Cheek	45	6	4	350	115	15.3	-
A2026M	Single Composite Cheek	32	6	-	540	115	12	-



A2020XHL-BLACK A2020XHL-BLUE A2020XHL-GOLD A2020XHL-ORANGE A2020XHL-PURPLE A2020XHL-SILVER

Part	Description	Length mm	Max Line Dia. mm	Breaking Load kg	MWL kg	Weight g
A2020XHL-BLACK	Extreme High Load Black	29	6	900	300	17
A2020XHL-BLUE	Extreme High Load Blue	29	6	900	300	17
A2020XHL-GOLD	Extreme High Load Gold	29	6	900	300	17
A2020XHL-ORANGE	Extreme High Load Orange	29	6	900	300	17
A2020XHL-PURPLE	Extreme High Load Purple	29	6	900	300	17
A2020XHL-SILVER	Extreme High Load Silver	29	6	900	300	17



Part	Description	Length mm	Max Line Dia. mm	Shackle Pin mm	Breaking Load kg	MWL kg	Weight g	Fixing Hole Centres mm
A2020SHK	Single With Swivel Hook	60	6	-	350	115	19	-
A2021HK	Single Fork Head	60	6	-	165	115	17.5	-
A2020-4035	Single With P-Clip	50	6	5	540	115	15	-
A2020-4036	Single With Offset Lacing Eye	50	6	-	540	115	15	15
A2020SC	Single With Swivel Head	49	6	4	350	115	15.4	-
A2021SC	Shackle Swivel Head	49	6	4	350	115	15.4	-
A2021F	Single Fork Head	48	6	4	350	115	15.2	-
A2020LZ	Stand-Up Fixed	41	6	-	520	115	15.4	27



Part	Description	Length mm	Max Line Dia. mm	Shackle Pin mm	Breaking Load kg	MWL kg	Weight g
A2028	Back To Back	52	6	-	540	115	20
A2028HL	High Load Back To Back	52	6	-	540	300	32
A2029	Linked Singles	70	6	-	540	115	21.8
A2022	Double	49	6	-	500	200	31.6
A2022Tii	Tii-On Double	29	6	-	540	115	15.6
A2022F	Double Fork Block	49	6	5	500	115	15.5





Part	Description	Length mm	Max Line Dia. mm	Shackle Pin mm	Breaking Load kg	MWL kg	Weight g	Fixing Hole Centres mm
A2023	Double With Becket	61	6	-	500	225	33.5	-
A2022LZ	Double Stand Up Fixed	55	6	-	500	200	34	28
A2022SC	Double With Swivel	55.8	6	4	300	115	35	-
A2023HK	Double With Becket And Hook	67	6	-	500	225	60.2	-
A2126M	Double Composite Cheek	33	6	-	540	115	23	18



Part	Description	Length mm	Max Line Dia. mm	Shackle Pin mm	Breaking Load kg	MWL kg	Weight g
A2024	Triple	51	6	-	650	300	47.9
A2024F	Triple With Fork	51	6	5	650	300	48
A2025	Triple With Becket	66	6	-	650	320	52.9
A2024-677	Triple With Inverted Cleat	77.9	6	-	650	320	86.9
A2025-677	Triple, Inverted Cleat & Becket	77.9	6	-	650	320	86.9
A2027	Triple, Cleat & Becket	77.9	6	-	650	320	86.9
A2027NB	Triple With Extended Cleat	70	6	-	650	320	98



Part	Description	Length mm	Max Line Dia. mm	Shackle Pin mm	Breaking Load kg	MWL kg	Weight g	Fixing Hole Centres mm
A2121	Single Through Deck	34	6	-	400	105	10.80	43
A2122	Double Through Deck	60	6	-	350	105	20	64
A4251	Single Through Deck	35	6	-	400	105	30	26 x 24
A4502	Stand Up Single	33	6	-	350	105	22	26 x 24
A4710	Lightweight Stand Up Single	34	6	-	350	105	19	26
A4968	Flip Flop	30	6	-	350	105	19	16
A2026-PROFIX	Cheek Adaptor For A2021	-	-	-	-	3.8	-	-
A5404S	Shackle Head For A2021	15	-	4	780	-	4.4	-

## Extreme High Load Blocks

The Allen XHL range has been designed to deal with extremely high loads without compromising on low load dynamic performance. By combining the Allen patented dynamic bearing technology with CNC machined aluminium side cheeks and a precision turned stainless steel sheave, we have created a block range that can take a static load of up to 1500Kg. Perfect for use in vang cascades or halyard turning points where loads can be extremely high.



*"The A2030XHL, its indestructible!" Chris Rashley*

## 20mm

Part	Description	Length mm	Max Line Dia. mm	Breaking Load kg	MWL kg	Weight g
A2020XHL-BLACK	Extreme High Load Black	29	6	900	300	17
A2020XHL-BLUE	Extreme High Load Blue	29	6	900	300	17
A2020XHL-GOLD	Extreme High Load Gold	29	6	900	350	17
A2020XHL-ORANGE	Extreme High Load Orange	29	6	900	350	17
A2020XHL-PURPLE	Extreme High Load Purple	29	6	900	350	17
A2020XHL-SILVER	Extreme High Load Silver	29	6	900	350	17

## 30mm

Part	Description	Length mm	Max Line Dia. mm	Breaking Load kg	MWL kg	Weight g
A2030XHL-BLACK	Extreme High Load Black	43	8	1250	350	41
A2030XHL-BLUE	Extreme High Load Blue	43	8	1250	350	41
A2030XHL-GOLD	Extreme High Load Gold	43	8	1250	350	41
A2030XHL-ORANGE	Extreme High Load Orange	43	8	1250	350	41
A2030XHL-PURPLE	Extreme High Load Purple	43	8	1250	350	41
A2030XHL-SILVER	Extreme High Load Silver	43	8	1250	350	41

## 40mm

Part	Description	Length mm	Max Line Dia. mm	Breaking Load kg	MWL kg	Weight g
A2040XHL-BLACK	Extreme High Load Black	54	9	1500	400	71
A2040XHL-BLUE	Extreme High Load Blue	54	9	1500	400	71
A2040XHL-GOLD	Extreme High Load Gold	54	9	1500	400	71
A2040XHL-ORANGE	Extreme High Load Orange	54	9	1500	400	71
A2040XHL-PURPLE	Extreme High Load Purple	54	9	1500	400	71
A2040XHL-SILVER	Extreme High Load Silver	54	9	1500	400	71



## 30mm Dynamic Blocks

Allen 30mm Dynamic Blocks use the same high quality dynamic bearing, materials and precision engineering as our 20mm Dynamic Block range. Our high strength and rope friendly stainless steel ultra-strap makes them amongst the strongest and most reliable ball bearing blocks in their class. The range is available with different types of accessories including lacing eyes, hooks, swivels and cleats. The range also features a central rivet that provides great options as a tie on becket. You'll find a 30mm block to suit most control line applications.

30MM BLOCKS



A2030  
*"Perfect for the 49er mainsheet system,  
 I wouldn't use anything else"*  
 Dylan Fletcher

Dylan Fletcher & Stu Bithell - 49er

# 30mm



Part	Description	Length mm	Max Line Dia. mm	Shackle Pin mm	Breaking Load kg	MWL kg	Weight g	Hole Centres mm
A2031	Single Multi Function	48	8	4	750	140	28	-
A2036	Cheek Block	60	8	4	500	140	35	-
A2036M	Composite Cheek	50	8	-	400	140	24	30
A2030SC	Swivel Block	68	8	4	450	140	36	-
A2031F	Single Fork Head	68	8	4	450	140	36	-
A2031SC	Single Swivel Fork	70	8	4	400	140	37	-



Part	Description	Length mm	Max Line Dia. mm	Shackle Pin mm	Breaking Load kg	MWL kg	Weight g	Hole Centres mm
A2030SHK	Single With Swivel Hook	68	8	-	450	140	35	-
A2030LZ	Stand-Up Fixed	58	8	-	500	140	30.2	34
A2039FIDDLE	Single With Fiddle	85	8	4	600	140	47	-
A2039-CAM	Single With Fiddle And Cleat	85	8	4	600	140	86.2	-



Part	Description	Length mm	Max Line Dia. mm	Breaking Load kg	MWL kg	Weight g
A2030	Single	50	8	750	140	26
A2030HL	Single High Load - Stainless Steel Sheave	50	8	800	300	39
A2030Tii	Single Tii-On	42	8	750	140	24



Part	Description	Length mm	Max Line Dia. mm	Breaking Load kg	MWL kg	Weight g
A2030XHL-BLACK	Extreme High Load Black	43	8	1250	350	41
A2030XHL-BLUE	Extreme High Load Blue	43	8	1250	350	41
A2030XHL-GOLD	Extreme High Load Gold	43	8	1250	350	41
A2030XHL-ORANGE	Extreme High Load Orange	43	8	1250	350	41
A2030XHL-PURPLE	Extreme High Load Purple	43	8	1250	350	41
A2030XHL-SILVER	Extreme High Load Silver	43	8	1250	350	41



Part	Description	Length mm	Max Line Dia. mm	Breaking Load kg	MWL kg	Weight g	Hole Centres mm
A2032	Double	64	8	1250	280	72	-
A2032TII	Double Tii-On	42	8	750	140	48	-
A2033	Double With Becket	76	8	1250	350	77	-
A2136M	Double Composite Cheek	50	8	400	140	36.6	30
A2034	Triple	67	8	1750	420	103	-
A2035	Triple With Becket	87	8	1750	490	114	-





Part	Description	Length mm	Max Line Dia. mm	Breaking Load kg	MWL kg	Weight g
A2034-676	Triple With Inverted Cleat	96	8	1750	140	49
A2035-676	Triple, Becket And Inverted Cleat	96	8	1750	490	146
A2037	Triple, Cleat & Becket	96	8	1750	490	146



Part	Description	Length mm	Max Line Dia. mm	Breaking Load kg	MWL kg	Weight g
A2038	Back To Back	78	8	750	140	49
A2038HL	Back To Back High Load - Stainless Steel Sheave	78	8	750	600	76
A2039	Linked A2030 Blocks	94	8	750	140	52
A2030-40	Linked 30 & 40 Blocks	110	8/10	750	140	63



Part	Description	Length mm	Max Line Dia. mm	Shackle Pin mm	Breaking Load kg	MWL kg	Weight g	Hole Centres mm
A2131	Single Through Deck	47	8	-	500	140	25.6	60
A2132	Double Through Deck	77	8	-	650	140	45	90
A4101	Upstand Block	45	8	-	850	140	57	25
A4801	Through Deck Block	45	8	-	700	140	39	25
A4978	Flip Flop	63	8	-	700	140	58	-
A2036-PROFIX	Cheek Adaptor For A2031	-	-	-	-	-	3.8	-
A5405S	Shackle Head For A2031	19	-	5	1250	-	9	-

## 40mm Dynamic Blocks

Allen 40mm Dynamic Blocks are built using a light weight composite cheek with a rope friendly, light weight stainless steel anchor strap and patented Allen dynamic bearing system. The range features a large central hole, which provides great options for tie-on becketts and is available with a variety of accessories, making it the suitable choice for demanding applications. These include dinghy mainsheets, jib and spinnaker sheeting systems as well as keelboat control lines.

# 40mm



40MM BLOCKS



Part	Description	Length mm	Max Line Dia. mm	Shackle Pin mm	Breaking Load kg	MWL kg	Weight g	Hole Centres mm
A2040	Single	64	10	-	800	180	36.4	-
A2040B	Removable Bolt Block	64	10	-	800	180	37.2	-
A2040HK	Single With Hook	110	10	-	500	200	68	-
A2040SC	Swivel	73	10	4	800	180	46.5	-
A2040Tii	Tii-On Single	58	10	-	800	180	34.5	-
A2046	Cheek	62	10	-	800	180	33.0	35
A2040-4222ASS	Single With Swivel Plate And Spring	78	10	-	800	180	69	-
A2040LZ	Single With Lacing Eye And Spring	77.5	10	-	800	180	45	34



Part	Description	Length mm	Max Line Dia. mm	Breaking Load kg	MWL kg	Weight g
A2042	Double	84	10	1350	320	89.0
A2045	Triple	84	10	1350	320	129
A2047	Quad	84	10	1350	320	165

# 40mm



Hartley Boats -Wayfare



Part	Description	Length mm	Max Line Dia. mm	Breaking Load kg	MWL kg	Weight g
A2040XHL-BLACK	Extreme High Load Black	54	9	1500	400	71
A2040XHL-BLUE	Extreme High Load Blue	54	9	1500	400	71
A2040XHL-GOLD	Extreme High Load Gold	54	9	1500	400	71
A2040XHL-ORANGE	Extreme High Load Orange	54	9	1500	400	71
A2040XHL-PURPLE	Extreme High Load Purple	54	9	1500	400	71
A2040XHL-SILVER	Extreme High Load Silver	54	9	1500	400	71



Part	Description	Length mm	Max Line Dia. mm	Shackle Pin mm	Breaking Load kg	MWL kg	Weight g
A2040SC-676	Single With Swivel And A.676 Cam Cleat	73	10	4	800	180	142
A2040SC-677	Single With Swivel and A.677 Cam Cleat	73	10	4	800	180	107
A2041	Single With Swivel And 20mm Fiddle Block	100	10	4	800	180	86
A2041-676	Single With Swivel, 20mm Fiddle Block And A.676	100	10	4	800	180	140
A2041-677	Single With Swivel, 20mm Fiddle Block And A.677	100	10	4	800	180	128
A2041-677HK	Single With Swivel, Fiddle Block, A.677 And Hook	100	10	4	500	180	140



Part	Description	Length mm	Max Line Dia. mm	Shackle Pin mm	Breaking Load kg	MWL kg	Weight g
A2043	Single With Swivel And Becket	100	10	4	800	180	79
A2043-676	Single With Swivel, Becket And A.676	100	10	4	800	180	157
A2043-677	Single With Swivel, Becket And A.677	100	10	4	800	180	152
A2044	Single With Swivel, 20mm Fiddle Block And Becket	122	10	4	800	180	100
A2044-676	Single With Swivel, Fiddle Block, Becket And A.676	122	10	4	800	180	152
A2044-677	Single With Swivel, Fiddle Block, Becket And A.677	122	10	4	800	180	147

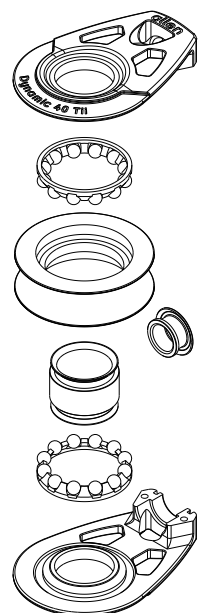


### Tii-On Blocks

Our Tii-On Blocks feature a stainless steel loop at the head of the block. This gives our range maximum strength and reliability with minimal cheek separation when tied on and loaded up with a soft shackle. The stainless steel head loop also ensures the block stays in the right orientation when being used.



Part	Description	Length mm	Max Line Dia. mm	Breaking Load kg	MWL kg	Weight g
A2020Tii	Single Tii-On	29	6	540	115	11
A2022Tii	Double Tii-On	29	6	540	115	15.6
A2030Tii	Single Tii-On	42	8	750	140	24
A2032Tii	Double Tii-On	42	8	750	140	48
A2040Tii	Single Tii-On	58	10	800	180	34.5
A2050Tii	Single Tii-On	72	10	900	300	61



### Tii Shackles

Tii shackles are made by Marlow in the UK and feature an adjustable loop to make attachment quick and easy. This simple and easy attachment system will save weight and give you more options for attaching blocks. Perfectly designed for use with our Tii-On blocks and Pad-Tii ranges.



Part Number	Description	Material	Length mm	Diameter mm	Breaking Load kg	Weight kg/100m	For Use With
A15110	Tii Shackle	Marlow 12 Strand Dyneema SK99	110	1.5	360	0.18	20 & 30mm Tii Blocks
A18140	Tii Shackle	Marlow 12 Strand Dyneema SK78	140	1.8	455	0.24	40 & 50mm Tii Blocks

### Dog Bones

Allen Dog Bones can be used in a variety of applications. Ideal for use with soft shackles as rope stops. CNC machined from aluminium our Dog Bones are extremely hard wearing. Add a bit of colour to your boat with the Allen Dog Bones. Available in 6 colours. Black, Blue, Gold, Silver, Purple and Orange



Part Number	Description	Length mm	Maximum Outside Diameter mm	Minimum Outside Diameter mm	Rope Diameter mm	*Safe Working Load kg	*Breaking Load kg	Weight g
A8606	Dogbone	24	6	4	2 - 4	350	600	1
A8608	Dogbone	32	8	6	4 - 5	600	1100	3
A8612	Dogbone	40	12	7	5 - 6	1400	2500	7
A8616	Dogbone	48	16	8	6 - 8	2000	3500	14

\*Estimated Loads

### High Load Thimbles

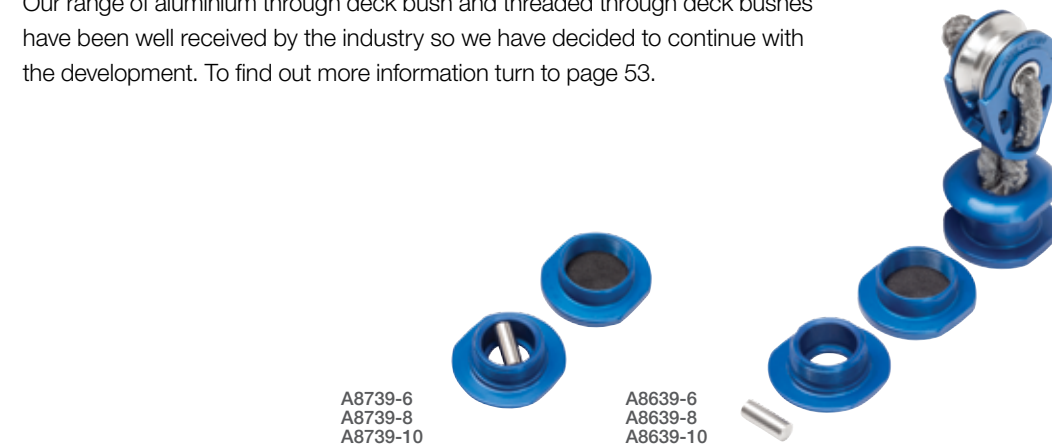
Thimbles are a great alternative to blocks when there is a need for high static load capabilities. Our high load thimbles come coated in Teflon to help reduce friction. Machined from aluminium and anodised in a choice of 6 colours, black, blue, silver, purple, gold and orange. Also available in stainless steel.



Part Number	Description	Outside Diameter mm	Inside Diameter mm	Maximum Working Load kg	Weight g	Depth mm
A..87-15	Aluminium Thimble	15	6	300	1	6
A..87-20	Aluminium Thimble	20	8	400	2	8
A..87-25	Aluminium Thimble	25	10	800	5	10
A..87-30	Aluminium Thimble	30	12	1000	7	12
A..87-35	Aluminium Thimble	35	15	1500	11	14
A..87-50	Aluminium Thimble	50	20	-	40	21
A..82-8	Stainless Steel Thimble	10	8	150	0.5	5
A..82-10	Stainless Steel Thimble	15	9	250	2	6
A..82-14	Stainless Steel Thimble	15	14	300	1.5	8

### Pad-Tii

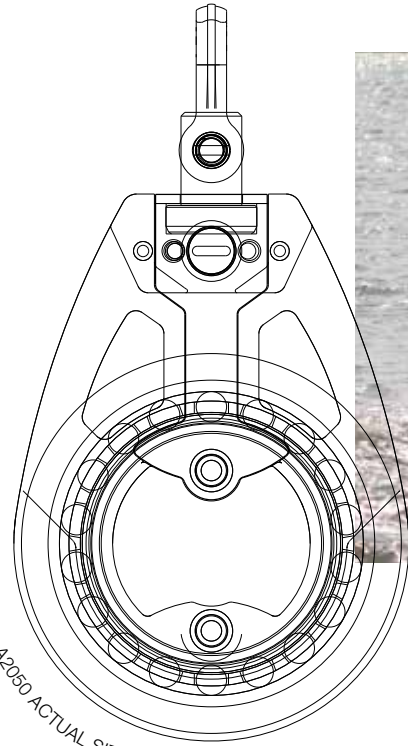
Our range of aluminium through deck bush and threaded through deck bushes have been well received by the industry so we have decided to continue with the development. To find out more information turn to page 53.



Part Number	Description	Distance Between Flats mm	Outside Diameter mm	Fixing Hole Diameter mm	Fixing Hole Depth Minimum mm	Fixing Hole Depth Maximum mm	Breaking Load kg	Maximum Working Load kg
A8639-6	Pad-Tii	18	19	12.80	6	8	350	250
A8639-8	Pad-Tii	18	19	12.80	8	10	350	250
A8639-10	Pad-Tii	18	19	12.80	10	12	350	250
A8739-6	Pad-Tii	22	24	16	6	8	400	300
A8739-8	Pad-Tii	22	24	16	8	10	400	300
A8739-10	Pad-Tii	22	24	16	10	12	400	300

## 50 & 60mm Dynamic Blocks

Allen 50mm Dynamic Blocks utilise our patented Dynamic bearing technology, the high quality stainless steel ball bearings running on stainless steel rails provides unsurpassed performance under load. The large central hole for tie-on becket requirements gives this block range a distinctive style and significant weight reduction and is available with a variety of accessories. Suitable for numerous demanding applications on boats, including Catamarans and Keelboats, the multi blocks provides great free running performance under load.



Team Provezza - Pettarows Dragon - Credit: Paul Manning

### Key for load rating tables

#### Maximum Working Load (MWL)

The maximum load that the block will endure with repeated sheave movement

#### Breaking Load

The load at which a major block failure is likely to occur



Part	Description	Length mm	Max Line Dia. mm	Shackle Pin mm	Breaking Load kg	MWL kg	Weight g	Hole Centres mm	Sheave Diameter mm
A2050	Single	95	10	4	900	300	73	-	50
A2060	Single	118	10	5	1000	500	126	-	60
A2050Tii	Single Tii-On	72	10	-	900	300	61	-	50
A2050C	Single Cheek Block	96	10	-	900	300	80	51	50
A2060C	Single Cheek Block	115	10	5	1000	500	149	60	60
A2052	Double	100	10	4	950	450	148	-	50
A2062	Double	130	10	5	1250	600	255	-	60
A2053	Double With Becket	136	10	4	950	450	160	-	50
A2063	Double With Becket	148	10	5	1250	600	271	-	60



A2058  
A2068

A2159  
A2169

Part	Description	Length mm	Max Line Dia. mm	Shackle Pin mm	Breaking Load kg	MWL kg	Weight g	Sheave Diameter mm
A2058	Triple With Ratchet And Adjustable Cleat	120	10	4	950	470	391	50
A2068	Triple With Ratchet And Adjustable Cleat	148	10	5	1250	600	535	60
A2159	Quint With Ratchet And Adjustable Cleat	136	10	5	950	470	503	50
A2169	Quint With Ratchet & Adjustable Cleat	148	10	5	1250	600	749	60



A2054  
A2064

A2054HK

A2055  
A2065

Part	Description	Length mm	Max Line Dia. mm	Shackle Pin mm	Breaking Load kg	MWL kg	Weight g	Sheave Diameter mm
A2054	Triple	100	10	4	950	470	190	50
A2064	Triple	130	10	5	1250	600	353	60
A2054HK	Triple With Hook	140	10	4	950	470	227	50
A2055	Triple With Becket	136	10	4	950	470	223	50
A2065	Triple With Becket	148	10	5	1250	600	397	60

A2054  
"strong, reliable and super smooth!"  
Jake Cookson



A2056  
A2066

A2057  
A2067

A2059  
A2069

A2069B

Part	Description	Length mm	Max Line Dia. mm	Shackle Pin mm	Breaking Load kg	MWL kg	Weight g	Sheave Diameter mm
A2056	Quad	100	10	5	950	470	269	50
A2066	Quad	130	10	5	1250	600	443	60
A2057	Quad With Becket	136	10	5	950	470	274	50
A2067	Quad With Becket	148	10	5	1250	600	456	60
A2059	Quint	100	10	5	950	470	323	50
A2069	Quint	130	10	6	1250	600	549	60
A2069B	Quint With Becket	150	10	6	1250	600	555	60



### AutoRatchet

The Allen AutoRatchet Blocks were the first of their kind on the market some 30 years ago. Years of constant development, with the World's top sailors, has led us to the release of our X2 AutoRatchets. The new "X2" pawl system which incorporates two pawls into the mechanism ensures that the load is evenly shared between both pawls, this means that the block can withstand higher working loads while also increasing both the reliability and longevity. It also features the patented swivel head lock system which can be fixed in position, allowing for more setup options.

### Switchable Ratchet

Allen Switchable Ratchet Blocks can easily be switched on or off, even under load. The patented swivel head lock system can be fixed in position, allowing for more setup options. The sheave design gives high grip under load while allowing easy release when required.



A2345  
*"Perfect for our kite sheets.  
 Turns on and off exactly  
 when you want it to."*  
 Fynn Sterritt

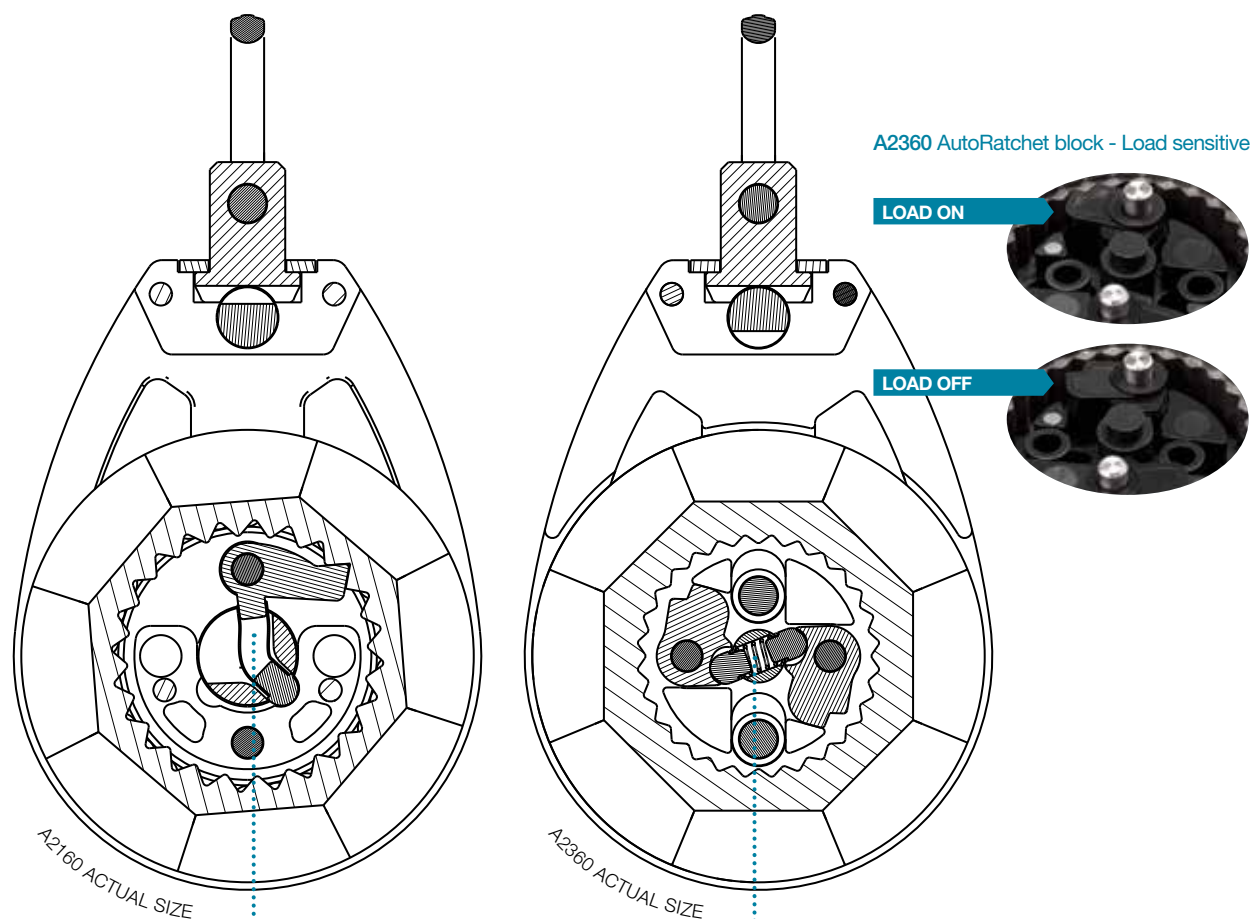


A2140      A2345      A2150      A2360      A2160



A2150C  
A2160C      A2150FIDDLE  
A2169FIDDLE

Part	Description	Sheave Dia. mm	Length mm	Max Line Dia. mm	Shackle Pin mm	Breaking Load kg	Trigger Load kg	MWL kg	Weight g
A2140	Pro-Ratchet 40	40	78	6	4	475	-	150	40
A2345	X2 AutoRatchet	45	90	8	4	280	10	140	56
A2150	Pro-Ratchet 50	50	95	10	4	700	-	200	64.5
A2150C	Pro-Ratchet 50 With Cheek Adaptor	50	92	10	4	700	-	200	80
A2150FIDDLE	Pro-Ratchet 50 With Fiddle	50	126	10	4	700	-	200	80
A2160	Pro-Ratchet 60	60	110	12	5	1000	-	275	110
A2160C	Pro-Ratchet 60 With Cheek Adaptor	60	108	12	5	1000	-	275	139
A2360	X2 AutoRatchet	60	110	12	5	1000	10	275	110
A2160FIDDLE	Pro-Ratchet 60 With Fiddle	60	150	12	5	1000	-	275	139



A2160  
 Switchable-ratchet block -  
 Ratchet mechanism can be switched  
 on and off as required.

A2360  
 AutoRatchet block -  
 Load sensitive AutoRatchet which is triggered  
 when block comes under load.



Part	Description	Sheave Dia. mm	Length mm	Max Line Dia. mm	Shackle Pin mm	Breaking Load kg	MWL kg	Weight g
A2151	Pro-Ratchet With Becket & Cleat	50	136	10	4	700	200	64.6
A2058	Triple With Switchable Ratchet & Adjustable Cleat	50	120	10	4	950	470	370
A2159	Quint With Switchable Ratchet, Becket & Cleat	50	136	10	4	700	200	550
A2161	Single Switchable Ratchet With Becket & Cleat	60	127	12	5	1000	275	333
A2068	Triple With Switchable Ratchet, Becket & Cleat	60	145	10	5	1250	600	550
A2169	Quint With Switchable Ratchet, Becket & Cleat	60	148	10	6	1000	600	750
A.622	Spring Guard For Ratchets	-	-	-	-	-	-	2.5

A2169 & A2069  
*"The Quint mainsheet  
 system is really, really  
 smooth"*  
 Laura Marimon

### High Tension Blocks

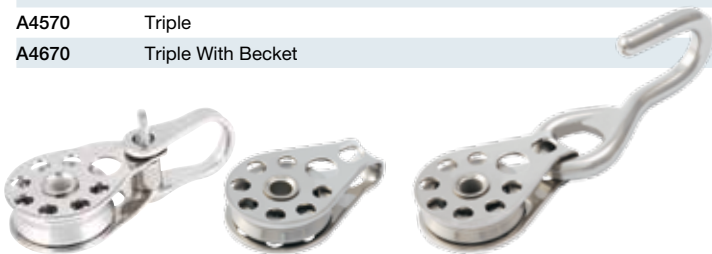
Allen High Tension Blocks are specifically intended for use where wire or Dyneema® lines are subjected to high loads. The range is made from 316 stainless steel and has a single row of spaced ball bearings in the sheave. Available with different accessories including hooks, becket, swivels and shackles giving a whole range of choice to suit the application.



Part	Description	Sheave Dia. mm	Length mm	Max Line Dia. mm	Shackle Pin mm	Breaking Load kg	Weight g
A4379HK-90	Single With 90 Degree Hook	25	105	2 - 6	-	500	81
A4393	Single Fixed Head With Becket	25	59	2 - 5	5	750	31
A4393HK	Single Fixed Head And Becket With Hook	25	41	2 - 5	5	750	81
A4479	Single With Shackle	25	41	2 - 5	5	750	33
A4993	Single Clevis Pin Head	25	41	2 - 5	5	750	31
A4679	Double Fixed Head	25	51	2 - 5	5	750	54
A4779	Double Fixed Head With Becket	25	68	2 - 5	5	750	60
A4593	Triple Fixed Head	25	51	2 - 5	5	750	78
A4693	Triple Fixed Head With Becket	25	68	2 - 5	5	750	84
A4979	Quad Fixed Head	25	51	2 - 5	5	750	89



Part	Description	Sheave Diameter mm	Length mm	Max Line Dia. mm	Shackle Pin mm	Breaking Load kg	Weight g
A4568	Single	16	29	2 - 4	4	400	11
A4668	Single With Becket	16	50	4	4	400	40
A4569	Double	16	40	2 - 4	4	400	25
A4669	Double With Becket	16	50	2 - 4	4	400	26
A4570	Triple	16	40	2 - 4	4	400	36
A4670	Triple With Becket	16	50	2 - 4	4	400	38



Part	Description	Sheave Diameter mm	Length mm	Max Line Dia. mm	Shackle Pin mm	Breaking Load kg	Weight g
A4279	Single Flared Cheek	25	41	2 - 7	5	750	44
A4379	Single Fixed Head	25	41	2 - 5	5	750	25
A4379HK	Single With Hook	25	105	2 - 6	-	500	81



Part	Description	Sheave Dia. mm	Length mm	Max Line Dia. mm	Shackle Pin mm	Breaking Load kg	Weight g
A4496	Double Fixed Head	38	74	2 - 6	5	1000	68
A4596	Double Fixed Head With Becket	38	74	2 - 6	5	1000	68
A4696	Triple Fixed Head	38	74	2 - 6	5	1000	96
A4796	Triple Fixed Head With Becket	38	74	2 - 6	5	1000	85
A4068	Optimist Sprit	16	46	2 - 4	4	400	11



## Classic Dinghy Blocks

Manufactured from nylon and available with either a plain bearing system or ball bearing system. Originally used for the Laser® class mainsheet system they have also become the block of choice for many other dinghy mainsheet systems. Available in a black, grey and blue



Part	Description	Sheave Dia. mm	Length mm	Max Line Dia. mm	Breaking Load kg	MWL kg	Weight g
A.178 A.178BB	Single Plain Bearing	29	48	8	250	140	13
A.178-74 A.178-74BB	Single Plain Bearing With Inglefield Clip	29	69	8	250	140	23
A.278 A.278BB	Single Plain Bearing	38	66	10	300	155	36
A.278-74 A.278-74BB	Single Plain Bearing With Inglefield Clip	38	86	10	300	155	45
A.378 A.378BB	Single Plain Bearing With Becket	38	85	10	300	155	38
A.179BBO	Linked Singles Nylon Ball Bearing Blocks	29	95	8	250	150	30

## V Cleat Blocks

Simple yet effective choice for many vang and cunningham setups. Available in stainless steel or die-cast aluminium and with different fixing accessories giving choices to suit most applications.



Part	Description	Sheave Dia. mm	Length mm	Max Line Dia. mm	Shackle Pin mm	Breaking Load kg	MWL kg	Weight g
A..93	Plain Bearing Single Sheave With Becket	26	79	6	5	620	310	39
A..93LZ	Plain Bearing Single Sheave With Becket & Key	26	86	6	5	620	310	40
A.165A	V Cleat With Double Sheave & Curved Key	26	100	2 - 6	5	620	310	62
A.165LZ	V Cleat With Double Sheave & Becket	26	93	2 - 6	5	620	310	61
A.165PS	V Cleat With Double Sheave & Straight Key	26	100	2 - 6	5	620	310	62
A4165	V Cleat With Double Sheave	26	72.8	2 - 6	5	450	250	38
A4165SC	V Cleat With Double Sheave & Swivel	26	100	2 - 6	5	450	250	59
A4165E	V Cleat With Double Sheave & Hook	26	104.5	2 - 6	-	450	250	63
A4265	V Cleat With Single Sheave & Becket	26	61	2 - 6	5	450	250	33

## Plain Bearing Reinforced Blocks

These are a classic block range that offer great static load bearing capabilities at a low weight and cost. The range features a variety of accessories to meet all your plain bearing needs on classic dinghies.



Part	Description	Sheave Dia. mm	Length mm	Max Line Dia. mm	Breaking Load kg	Weight g
A4250P	Single	20	43	6	400	12
A4250PF	Single With Clevis Pin	20	43	6	350	13.5
A4686P	Cheek	20	40	6	400	12
A4450P	Double	20	41	6	400	26
A4280P	Single	27	22	8	600	55
A4280PSC	Single With Swivel	27	37	8	600	58
A4281PSC	Single With Swivel And Shackle	27	80	8	600	44.5
A4380P	Single With Becket	27	28	8	600	73
A4380F-HL	Single With Becket And Clevis Pin	27	78	8	600	40
A4380F-HLK	Single With Becket And Vang Key	27	100	8	600	49
A4380PSC	Single With Becket And Swivel	27	46	8	600	78
A4386P	Cheek	27	58	8	600	28
A4580PC	Double With Becket	27	63	8	600	58
A3280P	Single	38	40	10	800	70
A3380P	Single With Becket	38	48	10	800	70

## Lightweight Plain Bearing Blocks

Featuring 316 stainless steel sides and a variety of sheave material options and sizes. They provide a great budget solution to low movement applications that just need a simple yet attractive block.



Part	Description	Sheave Dia. mm	Length mm	Max Line Dia. mm	To Suit Shackle Pin mm	Breaking Load kg	Weight g
A4078	Single With Acetal Sheave	16	26	5	4	275	5
A4080	Single With Brass Sheave	16	26	5	4	275	10
A4081	Double With Acetal Sheave	16	30	5	4	275	10
A4181	Cheek With Acetal Sheave	16	30	5	4	275	6
A4093	Single With Becket And Acetal Sheave	25	54	8	5	400	23
A4178	Single With Acetal Sheave	25	41	8	5	400	13
A4178E	Single With Hook And Acetal Sheave	25	72	8	-	400	39
A4501	Through Deck Single With Acetal Sheave	16	16	5	-	275	7
A4601	Through Deck Single With Brass Sheave	16	16	5	-	275	13
A4301	Through Deck Double With Acetal Sheave	16	38	5	-	275	15
A4401	Through Deck Double With Brass Sheave	16	38	5	-	275	27

## Springs Stainless Steel

Our stainless steel springs are designed to be paired with our range of dynamic blocks. Available as a firm, soft or conical design to give the block the desired stand up stance you require.



Description - Springs - stainless steel																
Lacing eye	20mm range	30mm range	40mm range	50mm range	60mm range	A2345 ratchet	A2140 ratchet	A2150 ratchet	A4621 ratchet	A2160 ratchet	A2360 ratchet	A4093	A4178	A4778	27mm range	38mm range
A1034	A4073	✓	✓	✓	✓	✓	✓	✓	✓	✓	✓	✓	✓	✓	✓	✓
	A4388	✓	✓	✓	✓	✓	✓	✓	✓	✓	✓	✓	✓	✓	✓	✓
	A4488	✓	✓	✓	✓	✓	✓	✓	✓	✓	✓	✓	✓	✓	✓	✓
	A5015	✓	✓	✓	✓	✓	✓	✓	✓	✓	✓	✓	✓	✓	✓	✓
	A5015F	✓	✓	✓	✓	✓	✓	✓	✓	✓	✓	✓	✓	✓	✓	✓
	A6050	✓	✓	✓	✓	✓	✓	✓	✓	✓	✓	✓	✓	✓	✓	✓
A4033	A6051	✓	✓	✓	✓	✓	✓	✓	✓	✓	✓	✓	✓	✓	✓	✓
	A4073	✓	✓	✓	✓	✓	✓	✓	✓	✓	✓	✓	✓	✓	✓	✓
	A4088	✓	✓	✓	✓	✓	✓	✓	✓	✓	✓	✓	✓	✓	✓	✓
	A4388	✓	✓	✓	✓	✓	✓	✓	✓	✓	✓	✓	✓	✓	✓	✓
	A4488	✓	✓	✓	✓	✓	✓	✓	✓	✓	✓	✓	✓	✓	✓	✓
	A5015	✓	✓	✓	✓	✓	✓	✓	✓	✓	✓	✓	✓	✓	✓	✓
A4034	A5015F	✓	✓	✓	✓	✓	✓	✓	✓	✓	✓	✓	✓	✓	✓	✓
	A5016	✓	✓	✓	✓	✓	✓	✓	✓	✓	✓	✓	✓	✓	✓	✓
	A5016F	✓	✓	✓	✓	✓	✓	✓	✓	✓	✓	✓	✓	✓	✓	✓
	A6050	✓	✓	✓	✓	✓	✓	✓	✓	✓	✓	✓	✓	✓	✓	✓
	A6051	✓	✓	✓	✓	✓	✓	✓	✓	✓	✓	✓	✓	✓	✓	✓
	A4073	✓	✓	✓	✓	✓	✓	✓	✓	✓	✓	✓	✓	✓	✓	✓
A4034	A4288	✓	✓	✓	✓	✓	✓	✓	✓	✓	✓	✓	✓	✓	✓	✓
	A4388	✓	✓	✓	✓	✓	✓	✓	✓	✓	✓	✓	✓	✓	✓	✓
	A5014	✓	✓	✓	✓	✓	✓	✓	✓	✓	✓	✓	✓	✓	✓	✓
	A5014F	✓	✓	✓	✓	✓	✓	✓	✓	✓	✓	✓	✓	✓	✓	✓
	A5015	✓	✓	✓	✓	✓	✓	✓	✓	✓	✓	✓	✓	✓	✓	✓
	A5015F	✓	✓	✓	✓	✓	✓	✓	✓	✓	✓	✓	✓	✓	✓	✓
A4034	A6050	✓	✓	✓	✓	✓	✓	✓	✓	✓	✓	✓	✓	✓	✓	✓
	A6051	✓	✓	✓	✓	✓	✓	✓	✓	✓	✓	✓	✓	✓	✓	✓

## Snatch Blocks

Allen Snatch Blocks feature the same dynamic bearing technology as our 30 and 40mm dynamic ranges. Our snatch blocks have an easy to use mechanism for opening and closing the cheeks making them the perfect choice for any application where attaching and releasing from control lines is important.



Part	Description	Sheave Dia. mm	Length mm	Max Line Dia. mm	Breaking Load kg	MWL kg	Weight g
A1375	Snatch Block	40	76	6 - 10	700	200	95
A1375-A4102	Snatch Block With Swivel	40	76	6 - 10	700	200	95
A1376	Snatch Block With Snap Shackle	40	76	6 - 10	700	180	203
A1377	Snatch Block With No Keeper Mechanism	40	76	6 - 10	700	200	94
A1378	Back To Back Snatch Blocks With Swivel	40	76	6 - 10	700	140	373
A4475	Snatch Block	30	53	5 - 6	350	140	28

## Stanchion Mounted Blocks

An inexpensive yet brilliantly simple solution for leading lines from the foredeck back to the cockpit







Part Number	Description	Length mm	Line Diameter mm	Bracket Diameter mm	Maximum Working Load kg	Breaking Load kg	Weight g
A.450	Stanchion Mounted Plain Bearing Block	94	14	25	200	280	69
A.450A	Stanchion Mounted Block With Removable Pin	94	14	25	200	280	69
A.455	Stanchion Mounted Fairlead With Stainless Bush	60	14	25	200	280	43



## Sheaves

Made from acetal resin, aluminium or stainless steel and featuring either stainless steel ball bearings or plain bearings, our sheaves come in a wide range of sizes and configurations to suit all applications. Ideal for replacing old or worn parts or building a custom fitting yourself. Breaking loads are very dependant on the axle fitting used.

	Part Number	Description	Diameter mm	Width mm	Bore mm	Weight g	Breaking Load Kg	Colour
	A3342	High Load SS Sheave With Double Row Ball Bearing	20	11	4.5	12	540	-
	A3343	High Load SS Sheave With Double Row Ball Bearing	30	13	7.5	26	800	-
	A4567	High Load SS Sheave With Single Row Ball Bearing	16	5	3.5	5	400	-
	A4986-6	High Load SS Sheave With Single Row Ball Bearing	25	6	8	17	750	-
	A4986-8	High Load SS Sheave With Single Row Ball Bearing	25	8	8.4	19	750	-
	A4786-6	High Load SS Sheave With Single Row Ball Bearing	38	6	8	51	1000	-
	A4786-8	High Load SS Sheave With Single Row Ball Bearing	38	8	8	55	1000	-
	A4886	Acetal Sheave With Double Row Ball Bearing	20	7	3	3	540	Grey
	A4886-5	Acetal Sheave With Double Row Ball Bearing	20	7	5	3	540	-
	A4886B	Acetal Sheave With Double Row Ball Bearing	20	7	3	3	540	Black
	A4086	Acetal Sheave With Double Row Ball Bearing	27	10	4.4	7	700	Grey
	A4086B	Acetal Sheave With Double Row Ball Bearing	27	10	4.4	7	700	Black
	A3086	Acetal Sheave With Double Row Ball Bearing	38	12	5	16	800	Grey
	A1086	Acetal Sheave With Double Row Ball Bearing	40	14	6	26	700	Grey
	A1086B	Acetal Sheave With Double Row Ball Bearing	40	14	6	26	700	Black
	A1086SP	Acetal Sheave With Double Row Ball Bearing	40	14	8	27	700	Grey
	A1086SP-B	Acetal Sheave With Double Row Ball Bearing	40	14	8	27	700	Black
	A1886	Acetal Sheave With Double Row Ball Bearing	52	15	7.5	46	800	Grey
		A..45	Acetal Sheave	15	6	6	0.5	-
A..86-6		Acetal Sheave	25	6	8	2	-	-
A..86-8		Acetal Sheave	26	8	8	2.5	-	-
A.220		Acetal Sheave	27	6	9	2	-	-
A..85		Acetal Sheave	36	6	8	5	-	-
A.150		Acetal Sheave	38	8	8	7	-	-
A.150-6		Acetal Sheave	38	6	8	7	-	-
A.119		Acetal Sheave	50	8	8	10	-	-
A.386		Nylon Cheek Block	27	8	75	9	-	-
A.612		Acetal Sheave	20	7	6	1	-	-
A.613		Acetal Sheave	27	10	8	2	-	-
A.614		Acetal Sheave	38	12	8	8	-	-
		A..80A	Acetal Sheave Wide	27	18	10	4	-
	A..80B	Acetal Sheave Wide	27	18	8	4	-	-
	A.215	Acetal Sheave	38	12	8	9	-	-
	A.216	Acetal Sheave	50	13	8	14	-	-
	A.217	Acetal Sheave	74	13	9	26	-	-
	A.219	Acetal Sheave	62	13	7.8	20	-	-
	A..84	Aluminium Sheave	28	8	9	10	-	-
	A.185	Aluminium Sheave	38	6	8	14	-	-
	A..83	Aluminium Sheave	38	8	8	20	-	-
	A.315	Aluminium Sheave	38	12	8	30	-	-
	A..46	Brass Sheave	16	6	6	6.5	-	-

## Cleats and Jammers

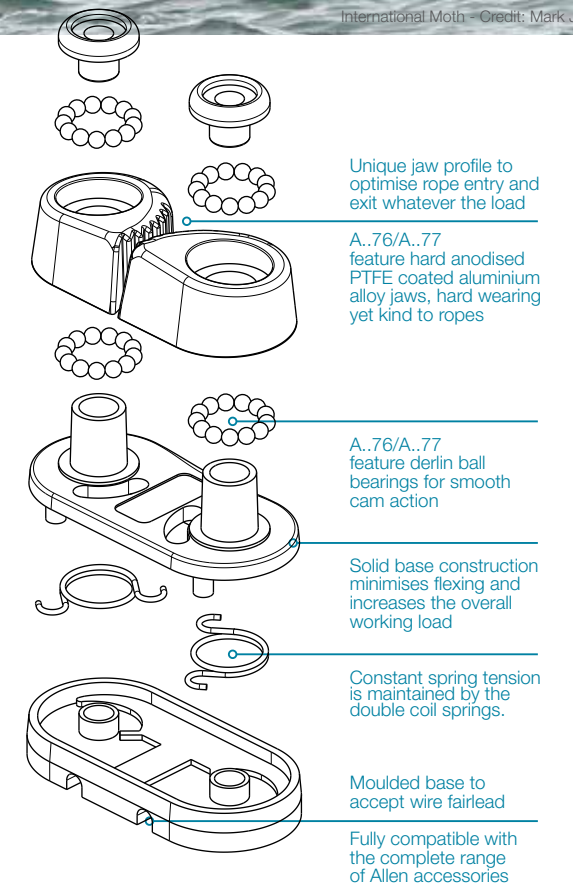


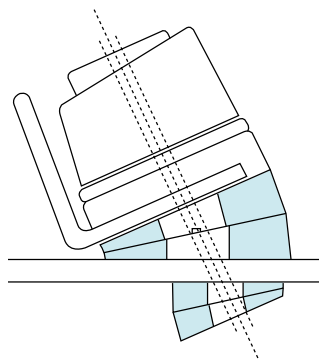
International Moth - Credit: Mark Jardine

### Cam Cleats

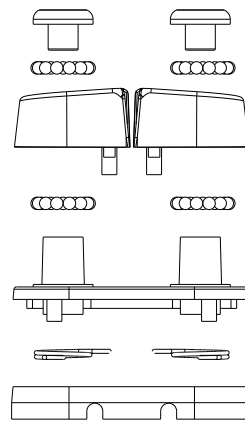
Allen cam cleats have had more than 50 years of meticulous R&D to perfect their design. Available in either Alloy or Allenite\* the jaw profile optimizes rope entry and exit for smooth cleating and uncleating, whilst double coil springs and ball bearing technology give consistent cam action. The addition of the ultra-prolead with wire reinforcement enhances cleating angles for superior performance and longevity. For hardwearing applications you can't beat the alloy series cam cleat for strength and durability while minimising line wear.

*\*Allenite is a proprietary material developed by Allen specifically for high wear resistance, low weight and good heat dissipation. Ideal for lighter loaded and for less frequently used applications and where weight saving is a premium over the alloy range.*





Mikey Radziejowski & Evan Sjostedt - International 14 - Credit: VR Sport



Part	Description	Line Size mm	Fixing Hole Centres mm	Height mm	Weight g	Fixing Hole Size mm	MWL kg
A..76	Ball Bearing Cam Cleat - Medium	4 - 10	38	29	63	5	150
A..77	Ball Bearing Cam Cleat - Small	2 - 6	28	22	29	4	100
A..76-496	Ball Bearing Cam Cleat With Mega Pro Lead - Medium	4 - 10	38	48	103	5	150
A..77-497	Ball Bearing Cam Cleat With Mega Pro Lead - Small	2 - 6	28	39	50	4	100
A.676	Allenite Cam Cleat - Medium	4 - 10	38	29	34	5	130
A.677	Allenite Cam Cleat - Small	2 - 6	28	22	22	4	80
A.676-496	Allenite Cam Cleat With Mega Pro Lead - Medium	4 - 10	38	48	74	5	130
A.677-497	Allenite Cam Cleat With Mega Pro Lead - Small	2 - 6	28	39	45	4	100
A4077	Stainless Steel Base Cam Cleat - Medium	4 - 12	38	18	34	5	
A4476	Stainless Steel Base Cam Cleat - Small	2 - 6	26	10	16	4	
A4334	Fairlead With A.676 Cam Cleat	4 - 10	-	-	96	5	

### Cam Cleat Accessories

Allen Cam Cleat Accessories are available to make sure you get the most from your Allen Cam Cleat. There is a range of cleat lifters, wedges and fairleads to ensure that the rope running through your cam cleat is as efficient as possible.



Part	Description	Fixing Hole Centres mm	Use With
A.496 A.497	Mega Pro-Lead Medium	38	A.676/A..76
A.396 A.397	Pro-Lead Medium	38	A.676/A..76
A.488 A.588	Fairlead Small	28	A.67/A..77
A1396 A1397	Pro-Lead Wedge Medium	38	A.676/A..76
	Pro-Lead Wedge Small	28	A.677/A..77



Part	Description	Fixing Hole Centres mm	Use With
A4665 A4675	Stainless Steel Wire Under Fairlead Small	-	A.677/A..77
	Stainless Steel Wire Under Fairlead Medium	-	A.676/A..76
A.193	Cleat Lifter 15mm High	28	A.677/A..77
A.293	Cleat Lifter 22mm High	38	A.676/A..76
A.294	Cleat Lifter 10mm High	38	A.676/A..76
A4761 A4771	Through Deck Fairlead Medium	38	A.676/A..76
	Through Deck Fairlead Small	28	A.677/A..77
A.493-993	Wedge Kit Small	28	A.677/A..77
A.593-893	Wedge Kit Medium	38	A.676/A..76
A.993	Cam Cleat Wedge Small	28	A.677/A..77
A.893	Cam Cleat Wedge Medium	38	A.676/A..77
A.493	Under Deck Cam Cleat Wedge Small	28	A.677/A..77
A.593	Under Deck Cam Cleat Wedge Medium	38	A.676/A..77
A.762	Backing Plate	38	A..76 / A.676
A.793	Cam Cleat Wedge	26	A4476



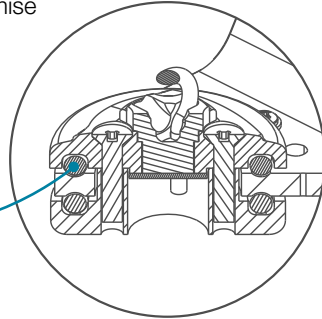


A5166FIDDLE

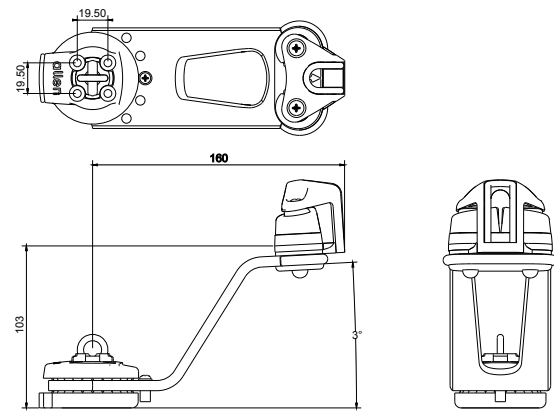
### Mainsheet Jammers

Allen Mainsheet Jammers have had many hours of research and development to give the best possible product. The range features our World leading cold forged bearing system which has a ball locating groove for smooth rotation whilst preventing the lateral movement of the arm. The angle and height of the cam cleat has been carefully designed to optimise mainsheet jamming and release when required. The angles of rotation can be set to 180, 220 or 360 degrees.

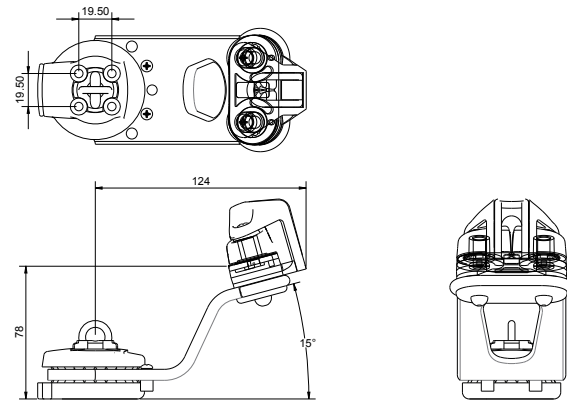
Improved base and bearing mechanism



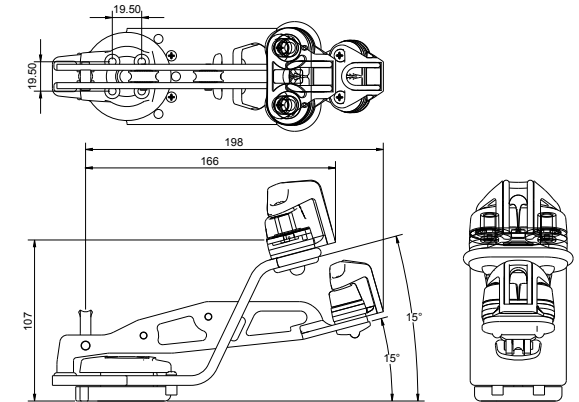
A5166  
A5166ASSEMBLED



A5166COMP  
A5166COMP-ASS



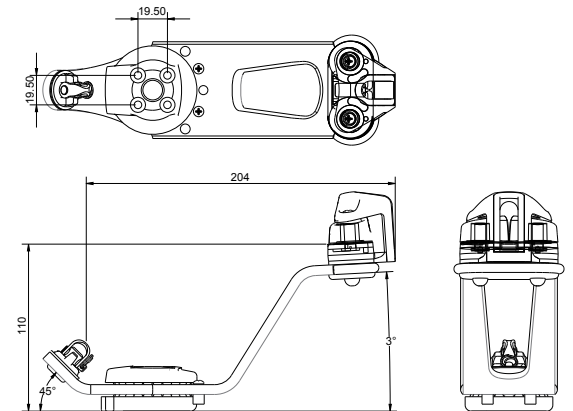
A5166DUAL  
A5166DUAL-ASS



The A5266 range has the block mounted behind the swivel centre and angled towards the cleat. This creates a turning force on the block and jammer, meaning that the cleat will always be forced to point away from the boom and towards the helm ensuring the rope is to hand.



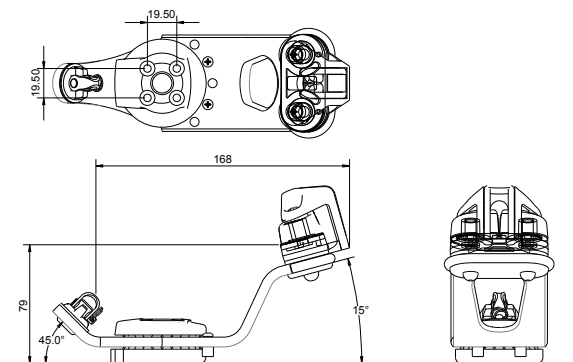
A5266  
A5266ASS



*"Loving the slingshot and the cleat angle is spot on. Great product."*  
George Hand



A5266COMP  
A5266COMP-ASS

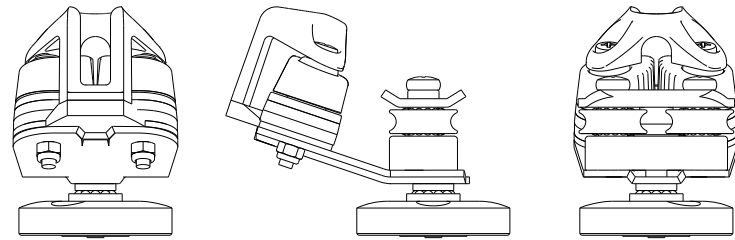


Part	Description	Fixing Hole Centres mm	Fixing Hole Size mm	MWL kg	Weight g
A5166FIDDLE	Standard Height Aluminium Arm With A2160Fiddle	19.5 x 19.5	5	600	504
A5166	Standard Height Aluminium Arm	19.5 x 19.5	5	600	368
A5166ASSEMBLED	Standard Height Aluminium Arm With A2160	19.5 x 19.5	5	600	484
A5166COMP	Compact Aluminium Arm	19.5 x 19.5	5	600	342
A5166COMP-ASS	Compact Aluminium Arm With A2160	19.5 x 19.5	5	600	486

Part	Description	Fixing Hole Centres mm	Fixing Hole Size mm	MWL kg	Weight g
A5166DUAL	Dual Aluminium Arm With A..76	19.5 x 19.5	5	600	513
A5166DUAL-ASS	Dual Aluminium Arm With A.76, A.677 and A2160	19.5 x 19.5	5	600	620
A5266	Self Aligning Mainsheet Jammer	19.5 x 19.5	5	600	406
A5266ASS	Self Aligning Mainsheet Jammer With A2160	19.5 x 19.5	5	600	500
A5266COMP	Compact Self Aligning Mainsheet Jammer	19.5 x 19.5	5	600	369
A5266COMP-ASS	Compact Self Aligning Mainsheet Jammer With A2160	19.5 x 19.5	5	600	490

## Swivel Cleats

Allen Swivel Cleats have been designed to give smooth sheeting articulation for a variety of applications from jib sheeting to vang systems. The cam cleats are mounted on a high grade stainless steel platform, and angled upward for ease of cleating. Available with either a plain bearing or ball bearing swivel base.



Ovington 29er - Credit: Pedro / Sailing Energy



Part	Description	Line Size mm	Height mm	Fixing Hole Centres mm	Weight g	Fixing Hole Size mm	Cam Cleat	Maximum Working Load kg
A4866	Angled With Small Ball Bearing Cleat	2 - 6	57	3 x 27	114	5	A..77	150
A4866X	Ball Bearing Swivel With Angled Base	2 - 6	82	3 x 27	141	5	A..77	150
A4866XB	Flat Ball Bearing Base With Sheaved Fairlead	2 - 6	57	3 x 27	120	5	A..77	150
A4866XB-Angled	Angled Ball Bearing Base With Sheaved Fairlead	2 - 6	92	3 x 27	141	5	A..77	150



Part	Description	Line Size mm	Height mm	Fixing Hole Centres mm	Weight g	Fixing Hole Size mm	Cam Cleat	Maximum Working Load kg
A4867	360 Swivel Cleat With Optional Stop 45/60/80	2 - 6	52	3 x 19	77	5	A.677	100
A4876	Through Deck Control Line Lead Cleat	4 - 6	63	4 x 29	120	5	A..77	150
A4978-77	Flip Flop Block With Cleat	4 - 6	73	18 offset	87	5	A..77	100



Part	Description	Line Size mm	Height mm	Fixing Hole Centres mm	Weight g	Fixing Hole Size mm	Cam Cleat	Maximum Working Load kg
A4988	180 Swivel Cleat	4 - 10	95.2	70	108	5	A..77	100
A4988X	180 Swivel Cleat With Removable Sheave	4 - 10	95.2	70	108	5	A..77	100



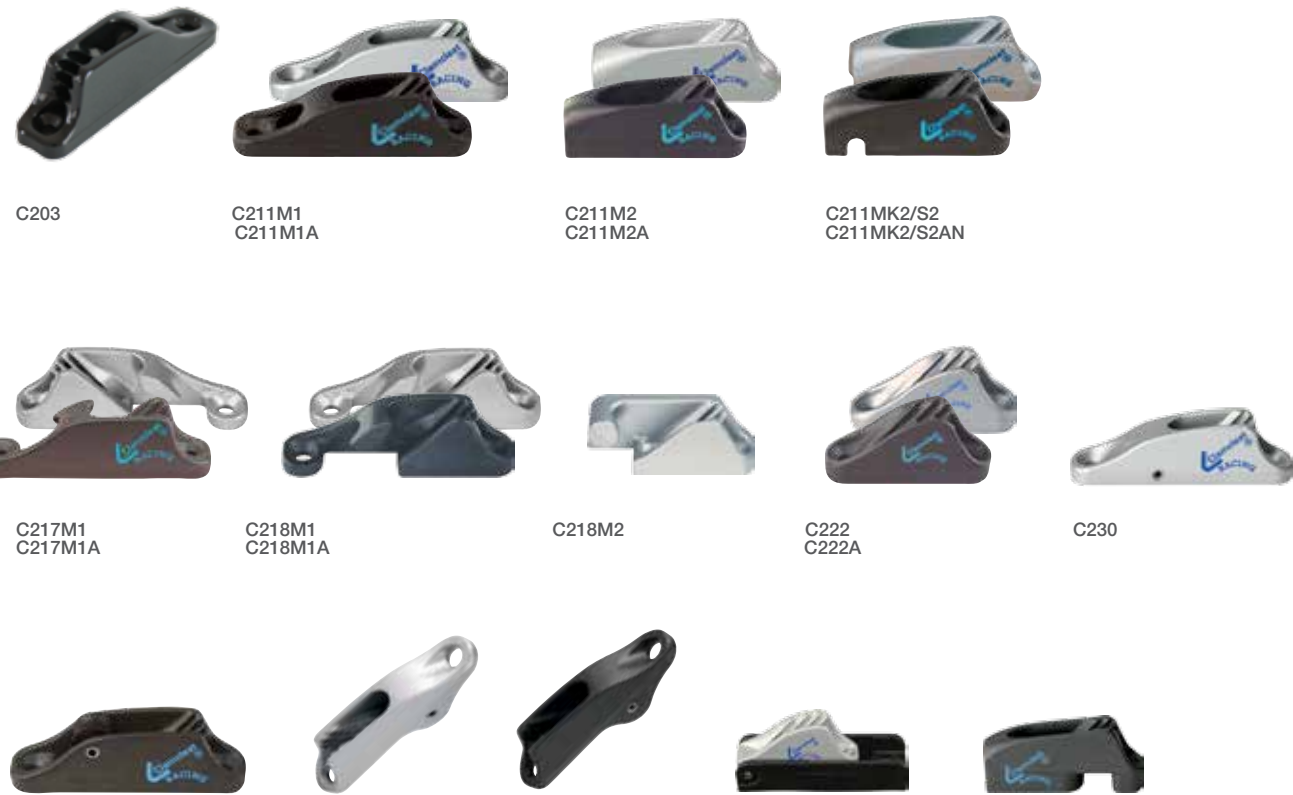
Part	Description	Line Size mm	Height mm	Fixing Hole Centres mm	Weight g	Fixing Hole Size mm	Cam Cleat	Maximum Working Load kg
A4466	Angled With Medium Allenite Cleat	4 - 10	72	3 x 27	137	5	A.676	120
A4466Straight	Straight With Medium Allenite Cleat	4 - 10	62	3 x 27	137	5	A.676	120
A4566	Angled With Medium Ball Bearing Cleat	4 - 10	72	3 x 27	168	5	A..76	150
A4566Straight	Straight With Medium Ball Bearing Cleat	4 - 10	62	3 x 27	168	5	A..76	150
A4766	Angled With Small Allenite Cleat	2 - 6	57	3 x 27	100	5	A.677	120
A4766Straight	Straight With Small Allenite Cleat	2 - 6	47	3 x 27	100	5	A.677	120



## Clamcleats®

The innovative range of Clamcleat® rope cleats for control lines and trapezes. Made from high pressure die cast aluminium, finished in silver or hard anodising.

Please visit [www.clamcleat.com](http://www.clamcleat.com) for more information



Part	Description	Rope Diameter mm	Fixing Hole Centres mm	Length mm	Width mm	Height mm	Weight g
C203	Clamcleat Junior	3 - 6	66	82	18	23	17
C211M1	MK 1 Racing Junior Silver	3 - 6	66	82	18	23	34
C211M1A	MK 1 Racing Junior Anodised	3 - 6	66	82	18	23	34
C211M2	MK 2 Racing Junior Silver	3 - 6	27	55	16	20	23
C211M2A	MK 2 Racing Junior Anodised	3 - 6	27	55	16	20	23
C211MK2/S2	MK 2 Racing Junior Silver With Becket	3 - 6	27	55	16	20	23
C211MK2/S2AN	Mk 2 Racing Junior Anodised With Becket	3 - 6	27	55	16	20	23
C217M1	Mk 1 Side Entry Silver Starboard	3 - 6	66	82	18	23	32
C217M1A	Mk 1 Side Entry Anodised Starboard	3 - 6	66	82	18	23	32
C218M1	Mk 1 Side Entry Silver Port	3 - 6	66	82	18	23	32
C218M1A	Mk 1 Side Entry Anodised Port	3 - 6	66	82	18	23	32
C218M2	Mk 2 Side Entry Silver Port	3 - 6	27	55	17	20	24
C222	Racing Mini Silver	3 - 6	36	48	15	21	16
C222A	Racing Mini Anodised	3 - 6	36	48	15	21	16
C230	Racing Junior MK1 With Roller	3 - 6	66	82	18	23	35
C236A	Roller Fairlead MK 1 Racing Junior Anodised	3 - 6	66	82	18	25	40
C253	Trapeze And Vang Clamcleat Silver	4 - 8	72	90	18	35	46
C253A	Trapeze And Vang Clamcleat Anodised	4 - 8	72	90	18	35	46
C257	Auto-Release Racing Mini	4 - 6	36	68	22	28	31
C270A	Racing Micros With Becket Anodised	1 - 4	24	44	13	19	14

## V Cleats

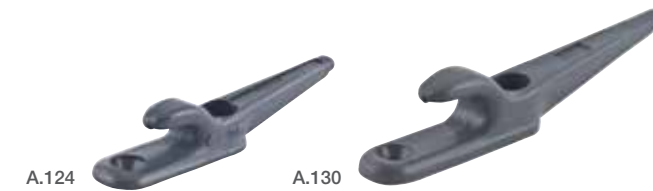
A simple but effective cleating option for applications where fine tune adjustment is not necessary.



Part	Material	Fixing Hole Size mm	Rope Diameter mm	Fixing Hole Centres mm	Length mm	Height mm	Weight g
A.146	Glass Filled Nylon	4	2 - 6	53	65	15	5
A.246	Glass Filled Nylon	4	2 - 8	80	97	23	18
A.346	Glass Filled Nylon	5	3 - 12	108	129	32	51
A4146	Stainless Steel	4	3 - 6	23	29	10	9
A4246	Stainless Steel	5	2 - 6	53	67	13	10

## Burgee Cleats

Originally designed for securing burgee and pennant lines, Allen Burgee Cleats have a wide range of applications and are a favourite for committee boats, race huts and club flag posts.



Part	Description	Fixing Hole Size mm	Max Rope Diameter mm	Fixing Hole Centres mm	Length mm	Height mm	Weight g
A.124	Small Burgee Cleat	3	6	63	12	23	3
A.130	Large Burgee Cleat	3	8	92	17	34	6

## Mast & Deck Cleats

The classic rope cleat, used for spars, decks and numerous other applications where rope needs securing



Part	Material	Fixing Hole Size mm	Max Rope Diameter mm	Fixing Hole Centres mm	Length mm	Height mm	Weight g
A..81	Nylon	3	5	20	62	13	6
A.181	Nylon	4	8	33	99	20	9
A.281	Nylon	5	10	48	155	27	33
A.381	Nylon	6	14	64	200	38	74
A.781	Nylon	5	11	42	133	25	22
A.481	Acetal	5	8	31	100	18	10
A.581	Aluminium	4	6	25	100	20	43
A.681	Aluminium	4	8	30	139	21	73

## Pump Action Cleat

The ultimate fast cleating and automatic releasing cleat for rapid but positive hoisting. Most frequently used in conjunction with a 1:2 spinnaker halyard system with elastic take-away. Watch the video to find out more <https://www.youtube.com/watch?v=ag-3ipgrqas>



Part	Description	Max Rope Diameter mm	Fixing Hole Centres mm	Length mm	Height mm
A2077	Pump Action Cleat	1.5 - 4	18	40	33.5

# Track and Keelband



Team Provezza - Petticrows Dragon - Credit: Paul Manning

## Mast Track

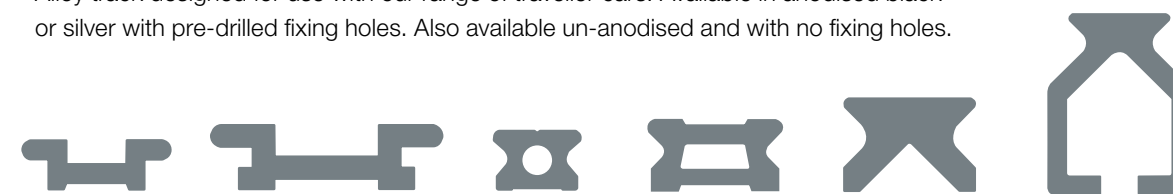
Extruded aluminium track profiles, suitable as luff track for a sail, securing awnings to structures and curtain side panels.



Part Number	Description	Length mm	Fixing Hole Centres mm	Fixing Hole Diameter mm	Internal Width mm	End Stop Required	To Suit Slug
A..26-1	Alloy Track Un-Anodised	3660	Undrilled	Undrilled	16	A.136	A..89 and A..95
A..26-2	Alloy Track	3660	76	5	16	A.136	A..89 and A..95
A..26-260	Alloy Track Un-Anodised	260	Undrilled	Undrilled	16	A.136	A..89 and A..95
A..26-3	Alloy Track	300	76	5	16	A.136	A..89 and A..95
A..26-4	Alloy Track	1055	76	5	16	A.136	A..89 and A..95
A.526-1	Alloy Track Un-Anodised	3660	Undrilled	Undrilled	19	A.738	A..90 and A..92
A.526-2	Alloy Track	3660	76	5	19	A.738	A..90 and A..92
A.526TA	Alloy Track	3660	Undrilled	Undrilled	19	A.738	A..90 and A..92
A.626	Luff Groove Track	5400	Undrilled	Undrilled	5	A.824	A.158 and A.958
A.626-1	Luff Groove Track Un-Anodised	5400	Undrilled	Undrilled	5	A.824	A.158 and A.958
A.656	Luff Groove Track	6000	Undrilled	Undrilled	5	A.924	A.158 and A.958
A.656-UNANOD	Luff Groove Track Un-Anodised	6000	Undrilled	Undrilled	5	A.924	A.158 and A.958
A.824	Sail Feeder	15	-	-	10.5	-	A.626
A.924	Sail Feeder	30	-	-	9.5	-	A.656

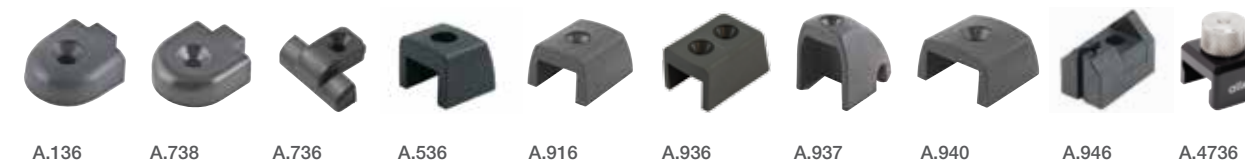
## Track For Travellers

Alloy track designed for use with our range of traveller cars. Available in anodised black or silver with pre-drilled fixing holes. Also available un-anodised and with no fixing holes.



Part Number	Description	Length mm	Fixing Hole Centres mm	Fixing Hole Diameter mm	End Stop Required	Colour
A.226-1	Alloy Track Un-Anodised	3660	Undrilled	Undrilled	A.136	Silver
A.226-1000	Alloy Track Anodised	1000	76	4	A.136	Silver
A.226-2	Alloy Track Anodised	3660	76	4	A.136	Silver
A.226-222Black	Alloy Track Anodised	222	76	4	A.136	Black
A.226-230	Alloy Track Anodised	230	76	4	A.136	Black
A.226-330	Alloy Track Anodised	330	76	4	A.136	Silver
A.226-5	Alloy Track Anodised	565	76	4	A.136	Silver
A.326-1	Alloy Track Un-Anodised	3660	Undrilled	Undrilled	A.736	Silver
A.326-2	Alloy Track Anodised	3660	75	5	A.736	Silver
A.726-4	Alloy Track Anodised	1043	75	5	A.736	Silver
A.726-5	Alloy Track Anodised	375	75	5	A.736	Silver
A.816-0.9	Alloy Track Anodised	900	75	4	A.916	Black
A.816-1500	Alloy Track Anodised	1500	75	4	A.916	Black
A.816-3.0	Alloy Track Anodised	3000	75	4	A.916	Black
A.819-0.9	Alloy Track Anodised	900	100	5	A.946	Black
A.819-3.0	Alloy Track Anodised	3000	100	5	A.946	Black
A.826-2	Alloy Track Anodised	3660	100	5	A.536 / A.936	Black
A.826-3	Alloy Track Anodised	3660	Undrilled	Undrilled	A.536 / A.936	Black
A.826-5	Alloy Track Anodised Black	900	100	5	A.536 / A.936	Black
A.826B-1.5	Alloy Beam Track Anodised	1500	Undrilled	Undrilled	A.937 / A.946	Black
A.826B-3.0	Alloy Beam Track Anodised	3000	Undrilled	Undrilled	A.937 / A.946	Black

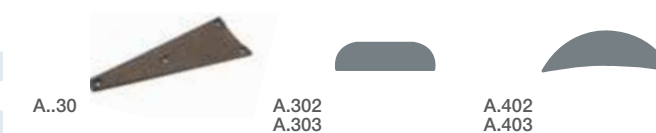
Part Number	Description	Length mm	Fixing Hole Centres mm	Fixing Hole Diameter mm	End Stop Required	Colour
A.226-1	Alloy Track Un-Anodised	3660	Undrilled	Undrilled	A.136	Silver
A.226-1000	Alloy Track Anodised	1000	76	4	A.136	Silver
A.226-2	Alloy Track Anodised	3660	76	4	A.136	Silver
A.226-222Black	Alloy Track Anodised	222	76	4	A.136	Black
A.226-230	Alloy Track Anodised	230	76	4	A.136	Black
A.226-330	Alloy Track Anodised	330	76	4	A.136	Silver
A.226-5	Alloy Track Anodised	565	76	4	A.136	Silver
A.326-1	Alloy Track Un-Anodised	3660	Undrilled	Undrilled	A.736	Silver
A.326-2	Alloy Track Anodised	3660	75	5	A.736	Silver
A.726-4	Alloy Track Anodised	1043	75	5	A.736	Silver
A.726-5	Alloy Track Anodised	375	75	5	A.736	Silver
A.816-0.9	Alloy Track Anodised	900	75	4	A.916	Black
A.816-1500	Alloy Track Anodised	1500	75	4	A.916	Black
A.816-3.0	Alloy Track Anodised	3000	75	4	A.916	Black
A.819-0.9	Alloy Track Anodised	900	100	5	A.946	Black
A.819-3.0	Alloy Track Anodised	3000	100	5	A.946	Black
A.826-2	Alloy Track Anodised	3660	100	5	A.536 / A.936	Black
A.826-3	Alloy Track Anodised	3660	Undrilled	Undrilled	A.536 / A.936	Black
A.826-5	Alloy Track Anodised Black	900	100	5	A.536 / A.936	Black
A.826B-1.5	Alloy Beam Track Anodised	1500	Undrilled	Undrilled	A.937 / A.946	Black
A.826B-3.0	Alloy Beam Track Anodised	3000	Undrilled	Undrilled	A.937 / A.946	Black



**Track End Stops** Complementary moulded end stops for our range of extruded track.

Part Number	Description	To Suit Track
A.136	End Stop	A.226 / A.326 / A.726
A.738	End Stop	A.526
A.736	End Stop	A.726 / A.326
A.536	End Stop	A.826
A.916	End Stop	A.816 / A.819
A.936	End Stop	A.826
A.937	Pro-Lock Slug - M6 insert	A.826B (A4491)
A.940	End Stop	A.826B
A.946	End Stop	A.819
A4736	Adjustable End Stop	A.826 & A.826B

**Keelbands** Anodised extruded aluminium keelband profiles both drilled and undrilled to fit a flat or curved mounting surface.



Part Number	Description	Length mm	Fixing Hole Centres mm	Fixing Hole Diameter mm
A..30	Keelband Fairing	150	-	4
A.302	Light Weight Alloy Keelband	3050	Undrilled	Undrilled
A.303	Light Weight Alloy Keelband	3050	102	4
A.402	Convex Alloy Keelband	3300	Undrilled	Undrilled
A.403	Convex Alloy Keelband	3300	102	4



# Deck and Hull Fittings

In the following section you will find our huge range of deck and hull fittings which ranges from CNC machined traveller cars to colourful anodised deck bushes, and everything in-between.



Ovington 29er - Credit: Pisco / Sailing Energy



## Traveller Cars

Allen Traveller Cars are CNC machined from solid high grade aluminium and feature recirculating ball bearings to give a durable, strong and smooth performance every time you tack.

### Available in 3 sizes:

**Mini Profile:** Our smallest and lightest traveller car to suit lightweight dinghy applications. Goes with track A.816

### Traveller car sizes

	A4389	A4489	A4589
	Mini	Low	Maxi
Height:	16mm	18mm	26mm
Length:	50mm	60mm	70mm
Width:	40mm	46mm	50mm
Weight:	50g	65g	80g
MWL:	120kg	180kg	230kg
Breaking Load:	800kg	1200kg	1400kg



Part Number	Description	To Suit Track	Diameter Of Eye mm	Height mm	Length mm	Width mm	Weight g	Accessories	*MWL kg	*BL kg
A4289	Mini Profile Traveller Car For Universal Fittings	A.816	5	18	49	40	57	-	120	800
A4389	Mini Profile Traveller Car	A.816	-	16	50	40	50	-	120	800
A4389J	Mini Profile Traveller Car With Block and P Clip	A.816	6	28	90	40	70	A2026 / A4035	120	800
A4389M	Mini Profile Traveller Car With Blocks	A.816	6	28	106	40	80	A2026	120	800
A4389Tii	Mini Profile Car With Tii-On Attachment	A.816	4	16	50	40	40	-	120	800

\*MWL = Maximum Working Load \*BL = Breaking Load

**Low Profile:** Our midrange Mini Traveller Car and designed for heavier duty dinghy applications and light weight keelboat applications. Goes with track A.826



Part Number	Description	To Suit Track	Max Line Dia. mm	Diameter Of Eye mm	Height mm	Length mm	Width mm	Weight g	Accessories	*MWL kg	*BL kg
A4244	Low Profile Nylon Traveller Car With Lacing Eye	A.826	-	10	15	70	45	87	A4376	180	180
A4489	Low Profile Traveller Car	A.826	-	5	18	60	46	65	-	180	180
A4489J	Low Profile Traveller Car With Block And P Clip	A.826	6	5	30	108	46	95.6	A2026 / A4035	180	180
A4489M	Low Profile Traveller Car With Blocks	A.826	6	5	30	86	46	94	-	180	180
A4489SOLO	Low Profile Traveller Car For Solo Dinghy	A.826	6	-	60	70	70	90	A.677-497 / A4086B	180	180
A4489Tii	Low Profile Car For Tii-On Attachment	A.826	6	-	17	60	46	43	-	180	180

**Maxi Profile:** Our biggest and most durable traveller car to suit the heaviest duty dinghy applications and medium keelboat applications. Goes with track A.819



Part Number	Description	To Suit Track	Max Line Dia. mm	Diameter Of Eye mm	Height mm	Length mm	Width mm	Weight g	Accessories	*MWL kg	*BL kg
A4589CAT676	Maxi Profile Traveller Car For Catamaran	A.819	10	-	70	70	50	115	A.676-496	230	1400
A4589CAT677	Maxi Profile Traveller Car For Catamaran	A.819	6	-	65	70	50	115	A.677-497	230	1400
A4589M	Maxi Profile Traveller Car With Blocks	A.819	10	-	50	70	50	147	A2036	230	1400
A4589Tii	Maxi Profile Traveller Car With Tii-On Attachment	A.819	8	-	26	70	50	56.6	-	230	1400
A3302	Catamaran Mainsheet traveller Car	-	6	20	105	90	69	269	A4766	80	150

## Self Tacking Jib System

The Allen self-tacking system is the strongest available on the market. Carefully designed, the CNC turned adjustable aluminium legs allow the geometry to work on the curved beam track at any angle, whilst the A4489F traveller car has a forked attachment point. Hard anodised black.



Part	Description	Length mm
A4491	Self Tacking Jib System Complete	1100
A4491-1.2	Self Tacking Jib System Complete	1200

## Sliding Fairleads & Sheet Leads

Allen Sliding Fairlead and Sheet Leads are ideal for jib sheeting. The piston stop allows for adjustment to the required sheeting angles, whilst the variety of available cam cleat and fairlead accessories give the best possible performance.

All Sliding Fairlead and Sheet Leads are supplied as a pair with track, end stops and fastenings all included.



Part Number	Description	Track Length mm	Distance Between Adjustments mm	Maximum Rope Size mm	Cleat	Track	Fixing Hole Centres mm	Fixing Hole Diameter mm	Number Of Fixing Holes
A4264	Sliding Wirelead Cam Cleat	222	19	10	A..76	A.226	56	4	4
A4274	Piston Stop Nylon Fairlead Cam Cleat	375	19	10	A.676	A.326	76	5	5
A4274-76	Piston Stop Nylon Fairlead Cam Cleat	375	19	10	A..76	A.326	76	5	5
A4474	Piston Stop Wire Fairlead Vertical Cam Cleat	300	19	10	A.676	A.326	76	5	4
A4474-76	Piston Stop Wire Fairlead Vertical Cam Cleat	300	19	10	A..76	A.326	76	5	4
A4490	Adjustable Jib Track With A2030	450	-	8	-	A.826	100	5	6
A4573	Sliding Wire Fairlead With Piston Stop	330	19	-	-	A.226	56	4	6
A4574	Piston Stop Wire Fairlead With A2030	330	19	8	-	A.226	56	4	5
A4587	Piston Stop Bullseye Fairlead With Swivel Cleat	300	19	10	A..76	A.226	76	4	4
A4590	Adjustable Jib Slider And Track	222	19	-	-	A.226	56	4	4

## Track Slides

CNC machined aluminium or pressed stainless steel track slides with spring loaded piston stop options. The pressed options stainless steel slides are supplied with acetal runners for smooth adjustment.



Part Number	Description	To Suit Track	Weight g	Length mm	Height mm	Width mm
A4089	Mainsheet Slider	A.226	35	51	34	29
A4354	Slider With Piston Stop And Lacing Eye	A.326/A.726	81	76	28	39
A4575	Sliding Fairlead With Piston Stop	A.226	60	51	30	30
A4591	Black Sliding Fairlead With Piston Stop	A.226	62	66	30	26

## Bow & Shroud Plates

Formed stainless steel Bow Plates feature jib and forestay attachment points.

Shroud plates have formed holes to suit countersunk screws.



Part Number	Description	Length mm	Width mm	Thickness mm	Fixing Hole Centres mm	Slot / Tenon mm	Weight g
A4001E	Bow Plate	105	17	1.7	36	-	79
A4001S	Bow Plate	158	20	1.7	36	-	-
A4001W	Bow Plate Wayfarer	35	20	1.7	36	-	54
A4025	Shroud Plate Pair	194	16	2	57	-	37
A4025S	Shroud Plate Pair	194	16	2	57	-	50
A4171	Shroud Plate Cover Pair	64	16	2	47	16 x 2	12
A4171S	Shroud Plate Cover Pair	64	16	2	47	16 x 4	12
A4225	Bow Plate	94	87	1.7	-	-	103

## Snatch Fairleads & Lacing Hooks

Our Snatch Fairleads and Lacing Hooks are moulded from acetal, perfect for leading or attaching lines and shock cord



Part Number	Description	Rope Diameter mm	Height mm	Length mm	Fixing Hole Size mm	Distance Between Fixings mm	Weight g
A..61	Acetal Lacing Hook	5	16	25	3	16	2
A.135	Nylon Lacing Hook	8	20	49	4	19	4
A.148	Nylon Lacing Hook	5	16	49	3	14	2
A.248	Nylon Lacing Hook	4	18	57	4	43	4
A.435	Acetal Snatch Lead	10	25	55	4	40	8
A.535	Acetal Snatch Lead	12	34	72	5	53	21



## Hatch Covers

Our Hatch Covers are made from a lightweight polypropylene and are available in a black, white, grey and easy to open designs.

**A.137** and **A.237** are a non 'O' ring design and have exposed fixings.

**A.337**, **A.537** and **A.637** all require a rubber 'O' Ring to keep them water tight.

**A1737**, **A1837** and **A1937** feature a fully threaded cover with watertight seal.

When ordering please specify which colour.



Part Number	Description	Fixing Hole Size mm	Cut Out Size mm	Opening Size	'O' Ring Required	Weight g	Colour Choice
A.137	Non O Ring Hatch Cover	3	109	99	-	42	Grey/Black/White
A.237	Non O Ring Hatch Cover	3	159	144	-	117	Grey/Black/White
A.337	O Ring Seal Hatch Cover	3	110	100	A.338	62	Grey/Black/White
A.337-BAG	O Ring Seal Hatch Cover With Hatch Bag	3	110	100	A.338	62	Grey/Black/White
A.537	O Ring Seal Hatch Cover	3	157	145	A.538	111	Grey/Black/White
A.537-BAG	O Ring Seal Hatch Cover With Hatch Bag	3	157	145	A.538	111	Grey/Black/White
A.637	O Ring Seal Hatch Cover	3	241	223	A.638	266	Grey/Black/White
A1737	Integral Seal Rigid Hatch Cover	4	108	100	-	84	Grey/Black/White
A1837	Integral Seal Rigid Hatch Cover	4	138	130	-	117	Grey/Black/White
A1937	Integral Seal Rigid Hatch Cover	4	154	148	-	142	Grey/Black/White
A.338	Rubber Sealing O Ring for A.337/A.337W	-	-	-	-	-	-
A.538	Rubber Sealing O Ring For A.537/A.537W	-	-	-	-	-	-
A.638	Rubber Sealing O Ring For A.637/A.637W	-	-	-	-	-	-
A-BAG-KIT	Hatch Cover Bag With Fixing Screw	-	-	-	-	-	-

## U Bolt

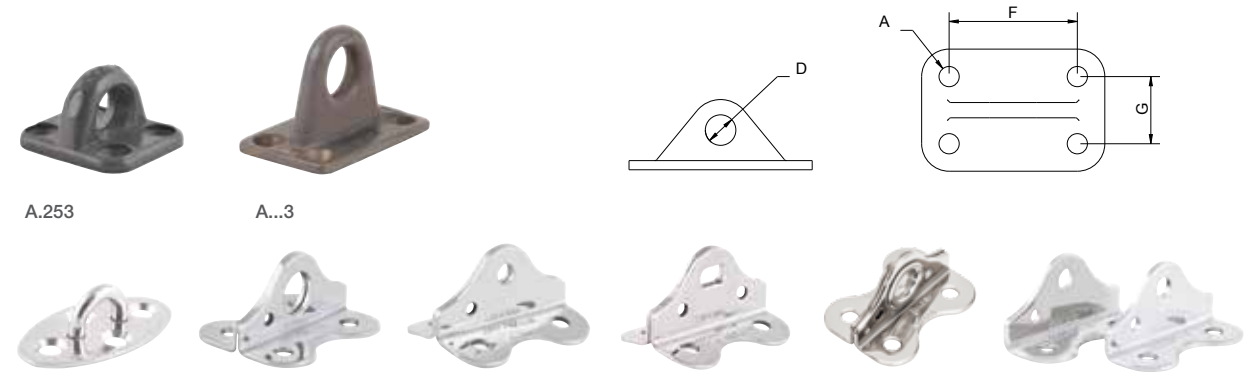
Made from 316 stainless steel, Allen U Bolt's are designed to withstand high loads without distortion. Supplied with top plate, backing plate and nuts.



Part Number	Description	Rod Size mm	Fixing Hole Size mm	Height mm	Thread Length mm	Weight g	Inside Diameter mm
A4371	U Bolt With Top & Bottom Backing Plate	5	28	41	20	24	23
A4371L	U Bolt With Top & Bottom Backing Plate	5	28	51	20	29	23
A4471	U Bolt With Top & Bottom Backing Plate	6	38	58	25	54	32
A4571	U Bolt With Top & Bottom Backing Plate	8	51	75	25	115	43
A4671	U Bolt With Top Backing Plate	6	38	77.5	39	53	32
A4871	U Bolt With Heavy Duty Top & Bottom Backing Plate	6	28	43	25	60	22
A4871X	U Bolt With Heavy Duty Top & Bottom Backing Plate	6	28	50	25	62	22
A4512	U Bolt With Lower & Bottom Backing Plate	6	28	80	25	100	22

## Anchor Plates

Nylon, aluminium or stainless steel anchor plates.



Part Number	Description	D Inside Diameter mm	A Fixing Hole Size mm	F&G Distance Between Fixing mm	Weight g
A.253	Nylon Anchor Plate	6	3	18 x 13	4
A...3	Aluminium Anchor Plate	12	5	34 x 16	19
A4673	Stainless Steel Looped Anchor Plate	9.7	6.5	38.5 x 16.5	23
A4003	Stainless Steel Flat Anchor Plate	9	5	27 x 16	24
A4003M	Stainless Steel Radiused Anchor Plate	5	5	27 x 16	24
A4003MS	Stainless Steel Radiused Anchor Plate, Wide Hole	10 x 5	5	27 x 16	24
A4003F	Stainless Steel Flat Anchor Plate With Ferrule	9	5	27 x 16	27.2
A4003H	Stainless Steel Split Halves Anchor Plate	5	5	27 x 16	24



Ovington 29er - Credit: Pedro / Sailing Energy

## Lacing Eyes & Eye Straps

A comprehensive range of pressed and forged stainless steel lacing eyes and eye straps.



Part Number	Description	Height mm	Fixing Hole Size mm	Fixing Hole Centres mm	Weight g
A4388	Pressed Stainless Steel V Style Lacing Eye - Small	8	4	27	1.5
A4488	Pressed Stainless Steel V Style Lacing Eye - Med	14	6	39	4



Part Number	Description	Height mm	Fixing Hole Size mm	Fixing Hole Centres mm	Weight g
A4288	Pressed Stainless Steel Lacing Eye - Small	8	3	22	1
A4073	Pressed Stainless Steel Lacing Eye - Medium	12	5	34	4
A4088	Pressed Stainless Steel Lacing Eye - Large	16	5	41	5
A4588	Pressed Stainless Steel Lacing Eye - XLarge	32	6	53	12



Part Number	Description	Height mm	Fixing Hole Size mm	Fixing Hole Centres mm	Weight g
A4376	Wide Pressed Stainless Steel Lacing Eye - Small	8	5	40	7
A4377	Wide Pressed Stainless Steel Lacing Eye - Medium	12	5	28	3
A4276	Wide Pressed Stainless Steel Lacing Eye - Large	20	5	40	7



Part Number	Description	Height mm	Fixing Hole Size mm	Fixing Hole Centres mm	Weight g
A4038	Pressed Clip Stainless Steel Lacing Eye	6	3	-	1.7
A4035 A4035-6	Pressed Clip Stainless Steel Lacing Eye	15	5	-	5
A4035-6	Pressed Clip Stainless Steel Lacing Eye	15	6	-	6
A4036	Pressed Offset Lacing Eye	11	5	15	4



Part Number	Description	Height mm	Fixing Hole Size mm	Fixing Hole Centres mm	Weight g
A5014	Forged Stainless Steel Eye Strap - Small	14	4	27	3.2
A5015	Forged Stainless Steel Eye Strap - Medium	18	5	33	6.4
A5016	Forged Stainless Steel Eye Strap - Large	22	6	40	12



Part Number	Description	Height mm	Fixing Hole Size mm	Fixing Hole Centres mm	Weight g
A5014F	Forged Stainless Steel Eye Strap With Ferrule - S	8	4	27	3.6
A5015F	Forged Stainless Steel Eye Strap With Ferrule - M	10	5	33	8.2
A5016F	Forged Stainless Steel Eye Strap With Ferrule - L	14	6	40	15



Part Number	Description	Height mm	Fixing Hole Size mm	Fixing Hole Centres mm	Weight g
A6050	Pressed Stainless Steel Lacing Eye - Small	12	4.2	28	0.3
A6051	Pressed Stainless Steel Lacing Eye - Medium	14	5	34	0.5
A6052	Pressed Stainless Steel Lacing Eye - Large	19	5.3	44	1



## Fairleads

Our fairleads come in a variety of styles (both stainless steel lined and unlined) to suit your rope leading needs. Suitable for dinghies and keelboats. Some are available in a variety of colours, please speak to our sales team to find out which colours are available for each product.



Part Number	Description	Inside Diameter mm	Fixing Hole Size mm	Distance Between Fixing mm	Weight g
A..52	Bullseye Fairlead	7	3	15	3
A.452	Bullseye Fairlead	11	3	18	4
A.152	Bullseye Fairlead	14	4	25	8
A.252	Bullseye Fairlead	19	5	34	28



Part Number	Description	Inside Diameter mm	Fixing Hole Size mm	Distance Between Fixing mm	Weight g
A4052	Bullseye Fairlead With Stainless Steel Inner	6	3	15	4
A4452	Bullseye Fairlead With Stainless Steel Inner	10	3	18	6
A4152	Bullseye Fairlead With Stainless Steel Inner	13	4	25	12
A4252	Bullseye Fairlead With Stainless Steel Inner	21	5	34	32



Part Number	Description	Inside Diameter mm	Fixing Hole Size mm	Distance Between Fixing mm	Weight g
A.182	Open Base Fairlead	7	4	23	6
A.282	Open Base Fairlead	9	4	23	6
A.282A	Open Base Fairlead Aluminium	9	4	23	13
A.382	Open Base Fairlead	13	4	25	9



Part Number	Description	Inside Diameter mm	Fixing Hole Size mm	Distance Between Fixing mm	Weight g
A4182	Open Base Fairlead With Stainless Steel Inner	5	4	23	5
A4282	Open Base Fairlead With Stainless Steel Inner	6	4	23	8
A4382	Open Base Fairlead With Stainless Steel Inner	10	4	27	11



Part Number	Description	Inside Diameter mm	Fixing Hole Size mm	Distance Between Fixing mm	Weight g
A.153	Low Profile Fairlead	7	3	20	3
A4153	Low Profile Fairlead With Stainless Steel Inner	6	3	20	4
A.134	Acetal Fairlead (Laser® Bow)	30	5	50	5
A.134RB-CAN	Acetal Fairlead (Laser® Bow)	30	5	50	5



Part Number	Description	Inside Diameter mm	Fixing Hole Size mm	Distance Between Fixing mm	Weight g
A5052-4	Keelboat Fairlead	24 X 12	4	25.6	14
A5052-6	Keelboat Fairlead	36 X 18	6	38.4	39
A5052-8	Keelboat Fairlead	48 X 24	8	51.2	104
A5052-10	Keelboat Fairlead	60 X 30	10	64	189
A5052-12	Keelboat Fairlead	72 X 36	12	76.8	307
A5053-4	Keelboat Jib Sheet Fairlead	Oblong Hole - 27.2 X 24 - Round Hole - 12	4	27.2	23
A5053-6	Keelboat Jib Sheet Fairlead	Oblong Hole - 36 X 18 - Round Hole - 18	6	40.8	64
A5053-8	Keelboat Jib Sheet Fairlead	Oblong Hole - 48 X 28 - Round Hole - 24	8	54.4	170



Part Number	Description	Inside Diameter mm	Fixing Hole Size mm	Distance Between Fixing mm	Weight g
A5054-6	Keelboat Sheet Deflector	10	6	22.5	14
A5054-8	Keelboat Sheet Deflector	13.3	8	30	31
A5054-10	Keelboat Sheet Deflector	16.7	10	37.5	55
A5054-12	Keelboat Sheet Deflector	20	12	35	82
A5054-16	Keelboat Sheet Deflector	26.7	16	60	206

## Self Bailer

Our original self-bailer, A4155, is the lightest self-bailer on the market and drains exceptionally well even at low speeds. Our high performance self-bailer, A4555, gains advantage from it's delta design that increases drainage flow while reducing drag and turbulence.



Part Number	Description	Weight g
A.155	Self Bailer With No Gaurd	77
A4155	Self Bailer With Stainless Steel Guard	81
A4155KIT	Spares For Bailer A4155	-
A4255	Self Bailer Gaurd	35.7
A4555	Advanced 'Delta' Self Bailer	182
A4555KIT	Spares For Bailer A4555	-

## Drain Sockets & Bungs

We manufacture a variety of bungs and sockets that are ideal for draining water from the inside of dinghy hulls and other buoyancy compartments. Available in both captive and non captive forms.



Part Number	Description	Fixing Hole Size mm	Fixing Hole Centres mm	Outside Diameter mm	Inside Diameter mm	Weight g	Material
A.123	Drain Socket	3	28	19	17	3	Nylon
A.223	Drain Socket With Captive Bung	3	30 x 30 x 30	26	-	7	Nylon
A.323	Drain Socket With Captive Screw Bung	3	38	24	-	11	Nylon
A.323W	White Drain Socket With Captive Screw Bung	3	38	24	-	11	Nylon
A.423	Drain Socket With Removable Screw Bung	4	36	22	17	22	Nylon
A.424	Screw Bung	-	-	16	-	7.1	Nylon
A1231	Bung	-	-	23 Min	-	15	TPU Polyurethane
A1232	Rubber Bung To Fit A.123	-	-	15 Min	-	8	Rubber

## Self Tapping Nuts

Self tapping nylon nuts commonly used with wood screws are an alternative option to bolt and nuts.



Part Number	Description	Length mm	Height mm	Bore g
A.129	Small Self Tapping Wing Nut	29	7	3
A.229	Medium Self Tapping Wing Nut	36	12	3.8
A.329	Self Tapping Square Nut	17	12.5	3.9

## Deck Bushes

Deck Bushes come in a variety of different styles to suit your rope leading needs. Available in nylon, stainless steel lined nylon and anodised aluminium. SS = Stainless Steel



Part Number	Description	Inside Diameter mm	Outside Diameter mm	Fixing Hole Size mm	Column Depth mm	Fixing Hole Centres mm	Weight g
A..39	Through Deck Bush With Flange	9	19	3	9	28	3
A.239	Through Deck Bush With Flange	12	22	3	9	31	4
A.339	Through Deck Bush With Flange	15	25	3	9	36	5
A.139	Through Deck Bush With Flange	20	33	3	9	44	7



Part Number	Description	Inside Diameter mm	Outside Diameter mm	Fixing Hole Size mm	Column Depth mm	Fixing Hole Centres mm	Weight g
A4039	Through Deck Bush With Flange And SS Inner	6	19	3	9	28	5
A4239	Through Deck Bush With Flange And SS Inner	11	22	3	9	31	9
A4339	Through Deck Bush With Flange And SS Inner	13	25	3	9	36	12
A4139	Through Deck Bush With Flange And SS Inner	20	33	3	9	45	12



Part Number	Description	Inside Diameter mm	Outside Diameter mm	Fixing Hole Size mm	Column Depth mm	Weight g
A.439	Through Deck Bush	8	13	-	8	0.5
A.439-14	Through Deck Bush	8	13	-	14	2
A.539	Through Deck Bush	13	16	-	8	2
A.539-14	Through Deck Bush	13	16	-	14	2
A4439	Through Deck Bush With Stainless Steel Inner	6	13	-	8	3
A4439-14	Through Deck Bush With Stainless Steel Inner	6	13	-	14	3.5
A4539	Through Deck Bush With Stainless Steel Inner	13	16	-	8	4
A4539-14	Through Deck Bush With Stainless Steel Inner	13	16	-	14	5.7
A..40	Stainless Steel Fairlead	11 x 35	13 x 38	-	18	12
A..40-12	Stainless Steel Fairlead	11 x 35	13 x 38	-	9	7



# Add a little **colour** to your ride

## Anodised Aluminium Deck Bushes

The aluminium range comes in both threaded and non-threaded versions. The threaded through deck bush allows for a perfect fit to your deck and stops rope wear both top and bottom. Aluminium through deck bushes are available in a choice of 6 colours, allowing you to add a personalised touch.



A.439A/A.539A



A8439-17/ A8539-17

Part Number	Description	Inside Diameter mm	Outside Diameter mm	Structure Depth mm	Weight g
A.439A	Aluminium Through Deck Bush	8	13	8	3
A.539A	Aluminium Through Deck Bush	13	16	8	4
A8439-7	Aluminium Threaded Through Deck Bush	8	13	7 Min - 12 Max	3.7
A8539-7	Aluminium Threaded Through Deck Bush	12	16	7 Min - 12 Max	6
A8439-9	Aluminium Threaded Through Deck Bush	8	13	9 Min - 14 Max	5
A8539-9	Aluminium Threaded Through Deck Bush	12	16	9 Min - 14 Max	6
A8439-13	Aluminium Threaded Through Deck Bush	8	13	13 Min - 18 Max	5
A8539-13	Aluminium Threaded Through Deck Bush	12	16	13 Min - 18 Max	7
A8439-17	Aluminium Threaded Through Deck Bush	8	13	17 Min - 22 Max	6
A8539-17	Aluminium Threaded Through Deck Bush	12	16	17 Min - 22 Max	8
A8439-21	Aluminium Threaded Through Deck Bush	8	13	21 Min - 26 Max	7
A8539-21	Aluminium Threaded Through Deck Bush	12	16	21 Min - 26 Max	8.5
A8439-25	Aluminium Threaded Through Deck Bush	8	13	25 Min - 30 Max	7.5
A8539-25	Aluminium Threaded Through Deck Bush	12	16	25 Min - 30 Max	9.5
A8439-29	Aluminium Threaded Through Deck Bush	8	13	29 Min - 34 Max	8.5
A8539-29	Aluminium Threaded Through Deck Bush	12	16	29 Min - 34 Max	10.5

## Pad-Tii

Our range of aluminium through deck bushes and threaded through deck bushes have been well received by the industry so we have decided to continue with the development.

The logical product progression being fixing tie on blocks to the deck or bulkhead. There are a number of companies producing products that provide this, so we decided to think a little more laterally and have come up with a range of Pad-Tii that have some additional design features.

A number of current products require the integral pad and associated tie on rope to be permanently bonded to a surface, which doesn't readily allow replacement of worn rope.

We have incorporated an ingenious removable attachment pin to allow the user to replace the tie on rope as it wears. Simply unscrew the upper insert, push down on the tie on rope and remove the stainless steel crossbar. Install your replacement tie on rope by pushing through the hole in the centre of the upper insert, slide the pin into place retaining the tie on rope and screw the upper insert back into the deck.

The lower insert is enclosed ensuring the design is watertight and the two parts have flats so they can be tightened and undone with simple tools.

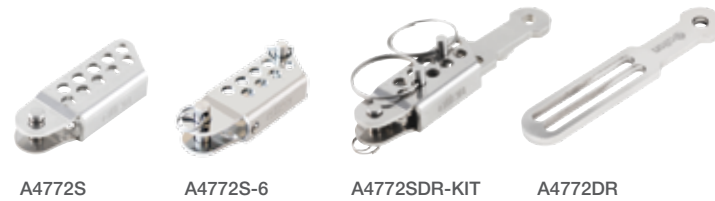
Colours available - Blue and Black.

\* Other colours are available upon request but will result in a longer lead time.



Part Number	Description	Distance Between Flats mm	Outside Diameter mm	Fixing Hole Diameter mm	Fixing Hole Depth Minimum mm	Fixing Hole Depth Maximum mm	Breaking Load Kg	Maximum Working Load Kg
A8639-6	Pad-Tii	18	19	12.8	6	8	350	250
A8639-8	Pad-Tii	18	19	12.8	8	10	350	250
A8639-10	Pad-Tii	18	19	12.8	10	12	350	250
A8739-6	Pad-Tii	22	24	16	6	8	400	300
A8739-8	Pad-Tii	22	24	16	8	10	400	300
A8739-10	Pad-Tii	22	24	16	10	12	400	300

# Spars and Rigging Accessories

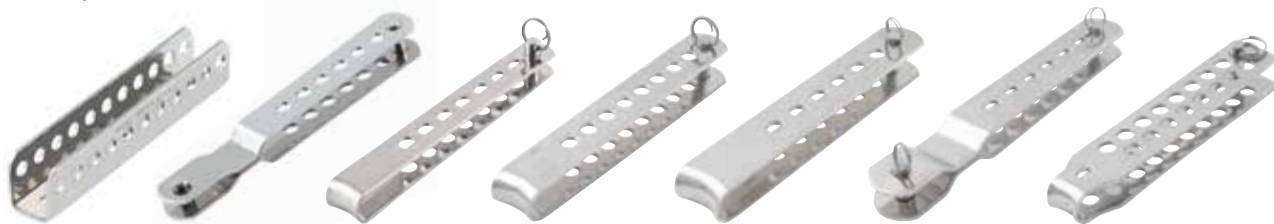
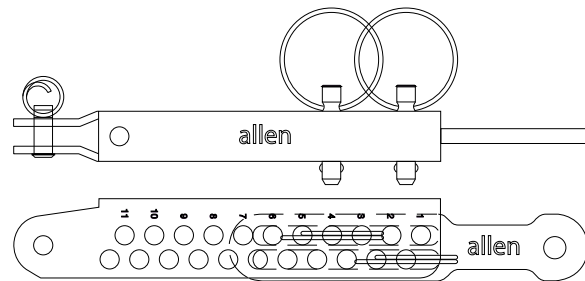


Part Number	Description	Pin Diameter mm	Adjustment Range mm	Increments mm	Internal Width mm	Weight g
A4272-148	Vernier Adjuster With Lacing Hook	5	64	3	9	46
A4272S	Short Vernier Adjuster	5	32	4	9	25
A4772	Heavy Duty Vernier Adjuster	5	84	4	9.5	71
A4772DR-KIT	Heavy Duty Vernier Adjuster With De Raker Plate	5	84 + 43dr	4	9.5	78
A4772HT	High Tension Vernier Adjuster	6	80	5	10	64
A4272	Vernier Adjuster	5	64	3	9	41
A4772S	Short Heavy Duty Vernier Adjuster	5	32	4	9.5	41
A4772S-6	Short Heavy Duty Vernier Adjuster	6	32	4	10.5	40
A4772SDR-KIT	Short Heavy Duty Vernier Adjuster With De Raker	5	32 + 43dr	4	9.5	40
A4772DR	De-Raker Plate	-	43	-	-	31

## Stay & Vernier Adjusters

Allen Vernier Adjusters are made from high quality stainless steel to ensure they are lightweight yet hard wearing. Available in a variety of designs to allow for fine-tune rig adjustment.

Also available as de-raker kits with pressed calibration marks, fast pins and captive de-raker plates. Allowing maximum customisation even when you're on the water.



Part Number	Description	Pin Diameter mm	Adjustment Range mm	Increments mm	Internal Width mm	Weight g
A4024	Channel Stay Adjuster	5	87	9	13	59
A4172	Stay Adjuster	5	52	9	8	46
A4372	Stay Adjuster	5	60	9	8	23
A4472	Stay Adjuster	5	69	9	8	39
A4572	Stay Adjuster	6	76	13	10	86
A4872	Stay Adjuster	6	76	13	9	100
A4972	Open Front Vernier Adjuster	5	64	4	8	38

## Fast Pins & Reaching Hooks

Made from 316 stainless steel and designed for use with our vernier adjusters.



Part Number	Description	Diameter mm	Usable Length mm	Overall Length mm	Suitable For	Weight g
A5005	Fast Pin	5	12.5	26.5	A4272	6.3
A5006	Fast Pin	6	15	29	A4772HT	8.4
A5105L	Reaching Hook	5	13	16	A4272	12
A5105S	Reaching Hook	5	9	12	A4772	11
A5106L	Reaching Hook	6	16	29	A4772S-6/ A4772HT	12.5
A5106S	Reaching Hook	6	12	25	A4772HT	12

## Clevis Pins & Split Rings

Part Number	Description	Diameter mm	Length mm
AFPP266	Small Split Ring	11	
AFPP266B	Medium Split Ring	15	
AFPP266C	Large Split Ring	18	
AFCP59	Clevis Pin	5	9
AFCP512	Clevis Pin	5	12
AFCP515	Clevis Pin	5	15
AFCP518	Clevis Pin	5	18
AFCP521	Clevis Pin	5	21
AFCP525	Clevis Pin	5	25
AFCP621	Clevis Pin	6	21
F630L	Drop Nose Pin	5	23



## Dynamic Rig Adjustment

The Allen dynamic rig adjustment kit has been developed to suit multiple applications and boats. Examples of applications include the Fireball horizontal mast strut, the 505 vertical mast strut and Graduate GNAV system.

In all cases we provide a complete kit.



A3210

A3211

A3212



A4592

Part Number	Description	Tube Length mm	Track Length mm
A3210	Vertical Mast Ram Kit	700	250
A3211	Horizontal Mast Ram Kit	700	500
A3212	Gnav System	700	300
A4592	Mast Ram	250	-
A4592E	Tube End Fittings For A4592	-	-

## Highfield Levers

A range of high quality formed 316 stainless steel ratchet and non-ratchet highfield levers for rapid and repeatable rig tensioning.



A4160

A4260

A4260-1

A4260-2

Part Number	Description	Throw mm	Adjustment mm	Backing Plate Thickness mm	Backing Plate Width mm	Backing Plate Length mm	Number Of Adjustments	Weight g
A4160	Highfield Lever	70	-	1.5	16	50	1	100
A4260	Ratchet 3 Fixings Flat Backing Plate	75	63	1.5	13	95	6	193
A4260-1	Ratchet 3 Fixings Clipped Backing Plate	75	63	5	13	101	6	111
A4260-2	Ratchet 4 Fixings Flat Backing Plate	75	63	1.5	13	95	6	102

## Furling Gear & Swivels

A variety of roller furling gear and swivels to use with your jib or headsail. All designed to be furled and unfurled under load.



Part Number	Description	Fixing Hole Diameter mm	Pin Diameter mm	Fork Width mm	Length mm	Height mm	Weight g	Maximum Working Load Kg
A4102	Stainless Steel Top Furler	-	5	12 / 9	49	-	23	200
A4222	Stainless Steel Universal Swivel Base	4	4	-	-	30	28	300
A4302	High Load Top Furler	-	6	8	63.25	82.75	41	430
A4202	Swivel Connector	-	5	11	34	47.50	38	400
A4905	High Load Drum Furler	-	5	8	68	88	112	430
A4904	Furling Unit	-	5	-	-	73.2	212	400
A4904LZ	Intergal Bow Bar Furling Unit	5	5	11	235	225	65	330

## Gooseneck Sleeves

Nylon Gooseneck Sleeve to fit inside carbon or aluminium tubes to prevent wear.



Part Number	Description	Inside Diameter mm	Outside Diameter mm	Length mm	Weight g
A.471	Gooseneck Sleeve	19	29	38	16
A.471TOP	Gooseneck Sleeve	28	34	39	22

## Goosenecks

A range of high quality 316 stainless steel and pressure die cast aluminium fixed and sliding goosenecks.



Part Number	Description	Fixing Hole Diameter mm	Pin Diameter mm	To Suit Mast Diameter mm	Groove Width mm	Backing Plate Width mm	Backing Plate Thickness mm	Weight g
A..14R	Alloy Gooseneck With Round Pin	12	5	40	-	-	-	66
A..14S	Alloy Gooseneck With Square Pin	12	5	40	-	-	-	66
A4009C	Stainless Steel Gooseneck With Radiused Strap	12	4	50 - 55	-	-	-	78
A4009LZ	Stainless Steel Gooseneck With Radiused Strap	12	4	55	-	-	-	78
A4009LZ-10	Stainless Steel Gooseneck With Radiused Strap	10	4	55	-	-	-	78
A4009K	Stainless Steel Gooseneck With V Strap	12	4	50	-	-	-	78
A4009K-10	Stainless Steel Gooseneck With V Strap	10	4	50	-	-	-	78
A4114-1	Aluminium Sliding Gooseneck	12	-	-	7	11	10	101
A4114-2	Aluminium Sliding Gooseneck	12	-	-	9	16	4	94
A4114-3	Aluminium Sliding Gooseneck	12	-	-	8	16	6	104
A.120	Spare Gooseneck Nut	-	-	-	-	-	-	5

## Sheave Boxes

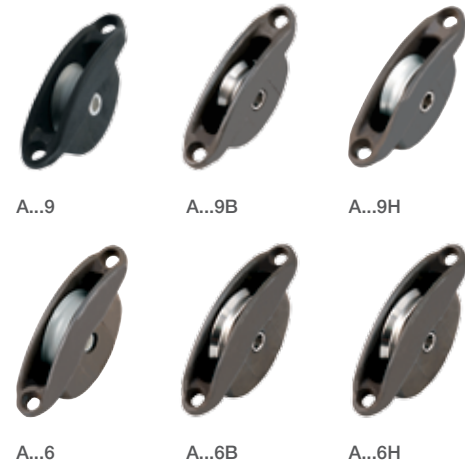
Allen Sheave Boxes are available with a plain bearing or ball bearing sheave. We also have the following choice of sheave material to suit your application: Acetal Resin, Stainless Steel and Alloy.

Sheave boxes are suitable for all types of halyard systems, control line systems and general running rigging.

The low profile range of sheave boxes feature our unique hook-in cage; designed to deal with the high loads of modern rigs.

\* Working and breaking loads are very dependent on the fixing of the sheave box.

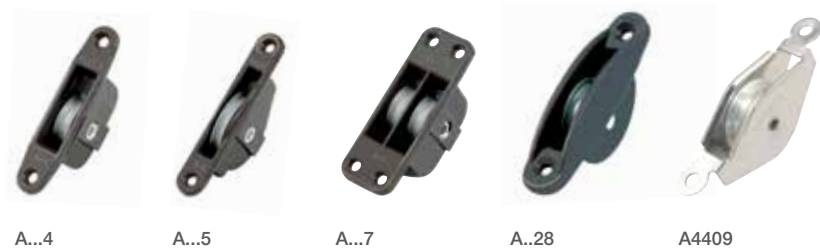
\* When using an aluminium sheave box with carbon rigging or decking insure it should be isolated with a suitable product to reduce electrolytic action.



Part Number	Description	Sheave Width mm	Sheave Diameter mm	Sheave Material	Slot Size mm	Weight g	Fixing Hole Centres mm	Fixing Hole Diameter mm	MWL Kg	Breaking Load Kg
A...9	Aluminium Sheave Box - Plain Bearing	8	25	Acetal	44 x 13	21	57	4	300	670
A...9B	Aluminium Sheave Box - Ball Bearing	8	25	Stainless Steel	44 x 13	38	57	4	300	750
A...9H	Aluminium Sheave Box - Plain Bearing	8	25	Alloy	44 x 13	31	57	4	300	670
A...6	Aluminium Sheave Box - Plain Bearing	8	38	Acetal	52 x 15	34	65	4	400	800
A...6B	Aluminium Sheave Box - Ball Bearing	8	38	Stainless Steel	52 x 15	79	65	4	300	750
A...6H	Aluminium Sheave Box - Plain Bearing	8	38	Alloy	52 x 15	48	65	4	400	800



Part Number	Description	Sheave Width mm	Sheave Diameter mm	Sheave Material	Slot Size mm	Weight g	Fixing Hole Centres mm	Fixing Hole Diameter mm	MWL Kg	Breaking Load Kg
A...8	Nylon Sheave Box - Plain Bearing	12	38	Acetal	70 x 22	41	80	4	300	700
A...8A	Nylon Sheave Box - Plain Bearing	12	38	Alloy	70 x 22	65	80	4	350	700
A...15	Low Profile Aluminium Sheave Box - Plain Bearing	6	25	Acetal	38 x 10	12	-	4	300	750
A...15B	Low Profile Aluminium Sheave Box - Ball Bearing	6	25	Stainless Steel	38 x 10	24	-	4	300	750
A...16	Low Profile Aluminium Sheave Box - Plain Bearing	6	38	Acetal	58 x 13	36	-	5	400	900
A...16B	Low Profile Aluminium Sheave Box - Ball Bearing	6	38	Stainless Steel	58 x 13	68	-	5	450	900



Part Number	Description	Sheave Width mm	Sheave Diameter mm	Sheave Material	Slot Size mm	Weight g	Fixing Hole Centres mm	Fixing Hole Diameter mm	MWL Kg	Breaking Load Kg
A...4	Aluminium Sheave Box - Plain Bearing	8	26	Acetal	43 x 17	26	65	4	500	1000
A...5	Aluminium Sheave Box - Plain Bearing	6	36	Acetal	50 x 14	33	70	4	250	400
A...7	Aluminium Double Sheave Box - Plain Bearing	8	26	Acetal	42 x 27	48	65	4	250	500
A...28	Aluminium Sheave Box - Plain Bearing	12	38	Acetal	70 x 22	100	87	6	350	700
A4409	Stainless Steel Sheave Box - Plain Bearing	12	38	Stainless Steel	77 x 19	98	90	6	300	600

## Mast Head Sheave Boxes

High quality in house injection moulded nylon 6 mast head crane and sheave box with optional insert moulding to fit larger diameter



Part Number	Description	Sheave Width mm	Sheave Diameter mm	Sheave Material	Fixing Hole Diameter mm	Weight g
A..94	Mast Head Sheave Box	6	36	Acetal	To Fit 20mm Tube	40
SA..94	Adaptor For A..94	-	-	-	To Fit 35mm Tube	22

## Mast Gates & Step



Part Number	Description	Length mm	Width mm	Thickness mm	Fixing Hole Centres mm	Slot / Tenon mm	Weight g
A.480	Optimist Deck Ring	85	75	3	54	-	21.5
A.490	Optimist Mast Ring	-	45	3	-	-	8
A4107	Mast Gate Bar	138	22	2	114	-	45
A4107S	Mast Gate Bar	112	22	2	89	-	37
A4124	Adjustable Mast Step	150	23	2	129	19	94

## Mast Tangs

A range of 316 stainless steel rigging tangs for externally mounted shrouds and other take-off points.



Part Number	Description	Length mm	Width mm	Fixing Hole Centres mm	Fixing Hole Centres mm
A4041	Mast Tang	77	16	5	11
A4141	Mast Tang	104	22	5 - 6	19 - 26
A4141-5	Mast Tang	104	22	5	10 - 25
A4241	Mast Tang	52	16	5	-

## Boom Slides

A very popular 316 stainless steel slider with loop and screw to attach mainsheet and kicking strap points to a boom.

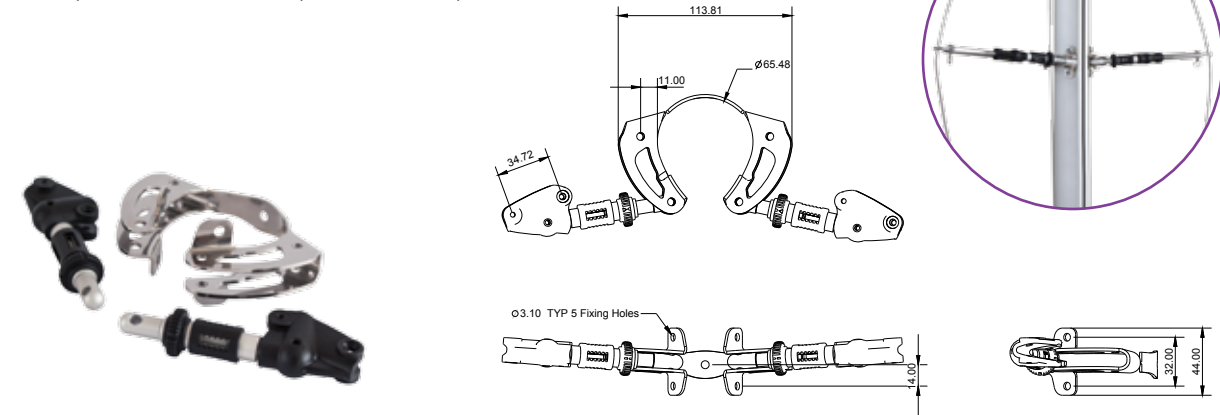


Part Number	Description	Length mm	Width mm	Thickness mm	Loop ID mm	Loop OD mm	Weight g
A4258	Adjustable Stainless Steel Boom Slide	64	16	2	15	25	61

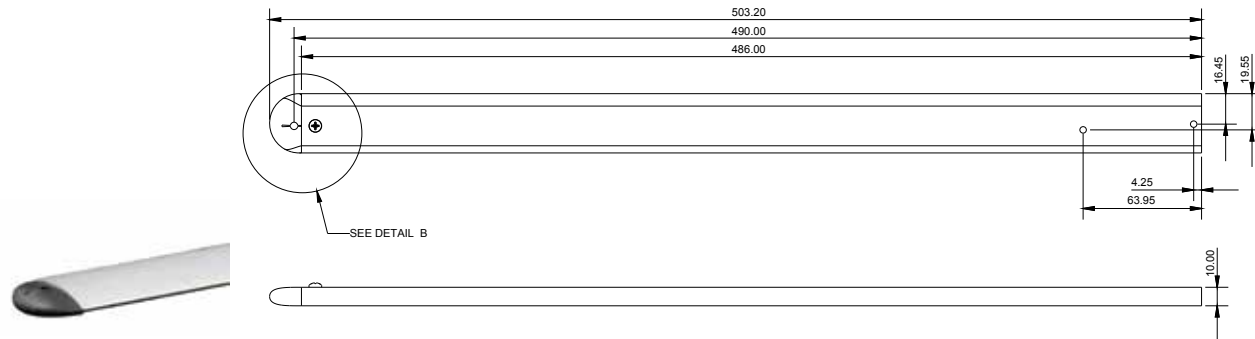


## Spreader Hardware

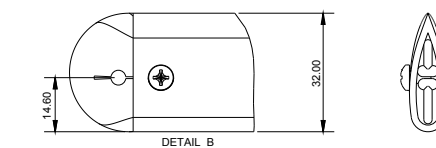
Spreader accessories for fine tuning spreader length and spreader angle to the mast. Also spreader section and spreader end caps.



Part Number	Description
A4527	Spreader Bracket With Adjustable Barrels



Part Number	Description	Length mm	Thickness mm	Width mm
A.791	Red Aerofoil Spreader Including End Caps	486	10	32
A.791SA	Silver Aerofoil Spreader Including End Caps	486	10	32



Part Number	Description	Length mm	Thickness mm	Width mm	Fixing Hole Centres mm	Fixing Hole Diameter mm	Weight g
A.147	Mast Swing Spreader Root	-	-	-	30 x 20	4	7.5
A.625	Spreader End Caps To Fit A.791	37	5.5	22	-	-	5
A4791	Spreader Angle Adjuster	-	-	-	-	-	-

## Mast Brackets & Boom Straps

Our range of 316 stainless steel mast and boom straps are available in a variety of designs to suit wooden, carbon and aluminium spar's.



Part Number	Description	Fixing Hole Diameter mm	Spar Size mm	Pin/Head Diameter mm	Strap Thickness mm	Weight g
A4413	Kicking Strap Bracket	5	50 - 80	-	1.5	38
SA.312	Kicking Strap Key	5.5	6 - 13	-	-	-
SA.873	Kicking Strap Key Curved	5.5	6 - 13	-	-	-
A4002	Kicking Strap Key	5.5	-	8mm /13mm	1.5	-



Part Number	Description	Fixing Hole Diameter mm	Spar Size mm	Strap Thickness mm	Weight g
A4016	Boom Strap	5	38	1.5	15
A4116	Boom Strap	5	32	1.5	16
A4216	Boom Strap	5	Forms to any shape	1.5	15
A4417	Boom Strap	5	45	2	29
A4599-S	Mast Bracket For Lowers	5	60	2	64.8
A4032	Gaff Band	5	44 x 44	1.5	16
A4042	Hound Fitting	5	50 - 80	1.5	22
A4142-6.5	Mast Kicker Bracket	5	50 - 80	1.5	22
A4203	Mast Anchor Plate	5	50 - 80	1.5	15
A4203R	Mast Anchor Plate	5	50 - 80	1.5	16
A4416	Bail Bracket	5	45	1.5	16
A4192	Kicking Strap Lever	5	-	-	132



Part Number	Description	Fixing Hole Diameter mm	Eye Inside Diameter mm	Eye Outside Diameter mm	Length mm	Maximum Rope Size mm	Weight g
A.932	Pole Launcher	-	50	-	-	-	8
A.132	Spinnaker Pole Mast Bracket Single Eye - Nylon	4	50	-	38	8	12
A.232	Spinnaker Pole Mast Bracket Double Eye - Nylon	4	50	3	45	12	37
A4232	Spinnaker Pole Mast Bracket Double Eye - Stainless	5	50 - 80	1.5	36	61	61
A4332	Spinnaker Pole Mast Bracket Single Eye - Stainless	5	50 - 80	1.5	50	37	280

## Halyard Exit Plates

Made from durable 316 stainless steel, these products are designed to stop wear on a mast wall from exiting halyards.



Part Number	Description	Fixing Hole Diameter mm	Fixing Hole Centres mm	Exit Slot Length mm	Exit Slot Width mm	Overall Length mm	Overall Width mm
A4383	Halyard Exit Plate Small	5	99	55	12	116	22
A4385	Halyard Exit Plate Medium	5	149	100	18	178	29

## Halyard Hook Racks

Made from pressure die cast aluminium or 316 stainless steel, these are a very popular solution for consistent cleating of a main halyard on the mast.



Part Number	Description	Fixing Hole Diameter mm	Increments mm	Number Of Adjustments	Length mm	Maximum Wire Diameter mm	Weight g
A.245	Hook Rack	4	12.5	10	126	5	31
A.345	Hook Rack	4	12.5	5	85	5	15
A4245	Halyard Lock	5	-	-	58	2-3	9

## Muscle Box

The classic 8:1 muscle box enclosed purchase system.



Part Number	Description	Length mm	Line Diameter mm	Travel mm	Fixing Hole Diameter mm	MWL kg	Weight g	Sheave Diameter mm
A4233	Muscle Box	307	3	147	5	400	254	23

## Mast & Tube Plugs

A range of high quality injection moulded nylon 6 caps for a wide variety of applications.



Part Number	Description	Tube Inside Diameter mm	Tube Outside Diameter mm	Tenon Size mm	Weight g
A.360	End Plug	22	25	-	7
A.363	End Plug	29	32	-	10
A.464	End Cap	41	45	-	14
A.472	End cap	43	46	-	15
A.466	Nylon Mast Heel	47	50	29 x 29	25

## Mast Deck Chocks

Made from Nylon and suitable for use with any keel stepped dinghies such as 420, 470, 505 and Fireball's. Our mast deck chocks feature a soft nylon side that can be trimmed with a knife to suit the width of your mast gate. Available in a pack or individually.



Part Number	Description	Thickness mm	Weight g
A.473-1	Mast Deck Chock	1	3
A.473-5	Mast Deck Chock	5	13
A.473-10	Mast Deck Chock	10	21
A.473-C	Mast Deck Chock Curved	10	32
A.473-S	Mast Deck Chock Slotted And Wedged	17 Maximum / 10 Minimum	32
A.473	Pack Of 5 Mast Deck Chocks	-	101

## Mast Base Organiser (pair)



Part Number	Description
A4950	Mast Base Organiser - Pair

## Mirror Dinghy Mast Fittings

A range of 316 stainless steel fittings originally designed for the Mirror Dinghy, but suitable for many other classes and applications.



Part Number	Description	Fixing Hole Diameter mm	Mast Diameter mm	Boom Size mm	Sheave Width mm	Weight g
A4184	Spinnaker Crane	4	33	-	18	49
A4314	Gooseneck	4 - 5	50 - 70	20+	-	84
A4314R	Gooseneck	4 - 5	50 - 70	43	-	88



## Rigging Screws

316 Stainless steel rigging screws.



Part Number	Description	Thread	Max Length mm	Min Length mm	Body Length mm	Fork Width mm	Pin Diameter mm	Breaking Load Kg	Weight g
A6110	Fork / Fork Rigging Screw	M5	180	126	80	8	5	800	51
A6112	Fork / Fork Rigging Screw	M6	200	138	92	8	5	1250	90
A6114	Fork / Fork Rigging Screw	M8	234	158	112	10	6	1300	140
A6116	Fork / Fork Rigging Screw	M10	272	188	120	11	8	2600	240



Part Number	Description	Thread	Max Length mm	Min Length mm	Body Length mm	Fork Width mm	Pin Diameter mm	Breaking Load Kg	Weight g
A6132	Fork / Stud Rigging Screw For 2.5mm Wire	M5	206	152	80	8	5	800	45
A6134	Fork / Stud Rigging Screw For 3mm Wire	M6	232	170	92	8	6	1250	85
A6136	Fork / Stud Rigging Screw For 4mm Wire	M6	242	180	92	8	5	1250	87
A6138	Fork / Stud Rigging Screw For 4mm Wire	M8	275	199	112	19	6	1300	130
A6140	Fork / Stud Rigging Screw For 5mm Wire	M8	281	205	112	10	6	1300	132

## Wire Stud Terminal

316 stainless steel threaded swaged stud for wire rigging.



Part Number	Description	Thread	Thread Direction	Min Length mm	Body Length mm	Screw Length mm	Body Diameter mm	NV	Weight g
A6110	Fork / Fork Rigging Screw	M5		126	80	8	5	800	51
A6112	Fork / Fork Rigging Screw	M6		138	92	8	5	1250	90
A6114	Fork / Fork Rigging Screw	M8		158	112	10	6	1300	140
A6116	Fork / Fork Rigging Screw	M10		188	120	11	8	2600	240
A6132	Fork / Stud Rigging Screw For 2.5mm Wire	M5		152	80	8	5	800	45
A6134	Fork / Stud Rigging Screw For 3mm Wire	M6		170	92	8	6	1250	85
A6136	Fork / Stud Rigging Screw For 4mm Wire	M6		180	92	8	5	1250	87
A6138	Fork / Stud Rigging Screw For 4mm Wire	M8		199	112	19	6	1300	130
A6140	Fork / Stud Rigging Screw For 5mm Wire	M8		205	112	10	6	1300	132

## Wire Eye Terminal

316 Stainless steel eye terminals for wire rigging.



Part Number	Description	Internal Body Diameter mm	External Body Diameter mm	Eye Diameter mm	Length From Eye Centre mm	Body Length mm	Thickness of Head mm	Weight g
A6175	Stainless Steel Eye Terminal For 2mm Wire	2.2	5.5	5.5	49	32	3	0.9
A6176	Stainless Steel Eye Terminal For 2.5mm Wire	2.8	5.5	5.5	49	32	3	0.8
A6177	Stainless Steel Eye Terminal For 3mm Wire	3.5	6.35	6.5	55	38	4	1.3
A6178	Stainless Steel Eye Terminal For 4mm Wire	4.4	7.5	8.5	67	45	5	2.3

## Wire Fork Terminal

316 Stainless steel fork terminal for wire rigging.



Part Number	Description	Internal Body Diameter mm	External Body Diameter mm	Eye Diameter mm	Length From Pin Centre mm	Body Length mm	Fork Width mm	Weight g
A6166	Stainless Steel Fork Terminal For 2.5mm Wire	2.8	5.5	5	58	32	7	2
A6167	Stainless Steel Fork Terminal For 3mm Wire	3.5	6.35	5	65	38	7	2.3
A6168	Stainless Steel Fork Terminal For 3mm Wire	3.5	6.35	6	66	38	9	2.8
A6169	Stainless Steel Fork Terminal For 4mm Wire	4.4	7.5	5	71	45	7	2.7
A6170	Stainless Steel Fork Terminal For 4mm Wire	4.4	7.5	6	73	45	9	3.4

## Wire 'T' Terminal

316 Stainless steel 'T' terminal for wire



A4283

Part Number	Description	Overall Length mm	Internal Length mm	Internal Diameter mm	External Diameter mm	Weight g
A4283	T-Terminal Backing Plate	4	-	-	44	2.5
A6185	Stainless Steel 'T' Terminal For 2mm Wire	80	32	2.2	5.5	1.5
A6186	Stainless Steel 'T' Terminal For 2.5mm Wire	80	32	2.7	5.5	1.5
A6187	Stainless Steel 'T' Terminal For 3mm Wire	80	39	3.3	6.35	2
A6188	Stainless Steel 'T' Terminal For 4mm Wire	100	45	4.2	7.5	4

## Eye Bolt

Stainless steel eye screw with bolt for rigging.



Part Number	Description	Thread	Overall Length mm	Length From Hole Centre mm	Screw Length mm	Head Diameter mm	Thread Length mm	Breaking Load Kg	Weight g
A6200	Stainless Steel Eye Bolt	M6	57	46	30	13	30	1360	1.8
A6204	Stainless Steel Eye Bolt	M6	87	76	60	13	60	1360	2.6
A6208	Stainless Steel Eye Bolt	M8	66	53	35	15	35	2390	3.8
A6212	Stainless Steel Eye Bolt	M8	110	98	80	15	75	2390	5.5

## Rig Spanner

Closed

Open



Part Number Description

A4004 Rig Spanner

## Boom's

We can build a variety of Finn and OK Boom's. Please get in touch to find out more information about fittings and set-ups available.



Part Number	Description
FINN-BOOM	Finn Boom
MS7272	OK Boom

## Spinnaker Pole & Jib Stick Fittings

A range of nylon fittings for use with a variety of spinnaker poles or jib sticks. A4331 & A4431 feature a spring loaded piston trigger to allow for easy open and closing. Designed to fit our spinnaker mast brackets.



Part Number	Description	Fixing Hole Diameter mm	Fixing Hole Centres mm	To Suit Spa Diameter mm	Length mm	Eye Diameter mm	Maximum Rope Size mm	Weight g
A..31	Spinnaker Pole Snap Hook	-	-	22	42	9	8	8
A.131	External Spinnaker Pole Snap Hook	4	33	15	83	9	8	12
A..54	Jib Stick Spike	-	-	22	52	-	-	8
A.154	External Jib Stick Spike	4	35	15	89	-	-	11
A4331	Piston Triggered Spinnaker Pole End	5	70	34	142	13	10	150
A4431	Piston Triggered Spinnaker Pole End	6	37	22	102	8	7	50
A.257	Spinnaker Pole Cleat	5	36	-	102	-	6	18
A.357	Spinnaker Pole Ramp	5	36	-	-	-	6	16
A.602	Spinnaker Pole Tubing 25mm O/D	-	25	-	-	4	-	-

## Rudder Stocks and Accessories



### Tiller Extensions - Carbon

Allen Carbon Tiller Extensions are light yet responsive, providing you with great feedback from your tiller. We have two styles of Carbon Tiller Extensions to suit your style of sailing. Available in a variety of lengths. The A55.. range has a narrower carbon tube and utilises a foam grip at the end of the extension.



Part Number	Description	Length mm	Length ft	Weight g	Tube Diameter mm
A5506	Carbon Fibre With Soft Grip And Universal Joint	609	2	96	20
A5507	Carbon Fibre With Soft Grip And Universal Joint	710	2.3	103	20
A5512	Carbon Fibre With Soft Grip And Universal Joint	1200	4	147	20
A5514	Carbon Fibre With Soft Grip And Universal Joint	1400	4.10	164	20
A5519	Carbon Fibre With Soft Grip And Universal Joint	1900	6.3	206	20
A5521	Carbon Fibre With Soft Grip And Universal Joint	2100	6.9	226	20
A5525	Carbon Fibre With Soft Grip And Universal Joint	2500	8.3	269	20

RUDDER STOCK & ACCESSORIES





### Tiller Extensions - Blue Carbon

The A58.. range features a thicker diameter tube with a peel ply grip finish. This range also incorporates a blue weave into the carbon for a stylish finish.



Part Number	Description	Length mm	Length ft	Tube Diameter mm
A5812	Blue Carbon Tiller Extension With Universal Joint	1200	3.9	23
A5814	Blue Carbon Tiller Extension With Universal Joint	1400	4.5	23
A5819	Blue Carbon Tiller Extension With Universal Joint	1900	6.2	23
A5821	Blue Carbon Tiller Extension With Universal Joint	2100	6.8	23
A5825	Blue Carbon Tiller Extension With Universal Joint	2500	8.2	23

### Aluminium Tiller Extensions

Our Range of Aluminium Tiller Extensions are lightweight and feature a foam grip to give you the ultimate control. Available in 7 lengths and 7 anodised colours, Red, Blue, Black, Silver, Orange, Purple and Graphite.



A.454

Part Number	Description	Suitable For	Length mm	Length ft	Weight g
A.454	Tiller Extension Retaining Clip	All Aluminium Tiller Extensions	-	-	4
A4898	Aluminium Tiller Extension	Optimist, Cadet	609	2	124
A4298TOP	Aluminium Tiller Extension	Topper	685	2.3	177
A4298	Aluminium Tiller Extension	Laser 2, Laser 3000	762	2.6	147
A4498	Aluminium Tiller Extension	470,420, Enterprise, GP14, Pico	915	3	170
A4698	Aluminium Tiller Extension	Laser, RS400, Finn, 29er, RSFeva, RS200	1067	3.6	195
A4798	Aluminium Tiller Extension	B14, RS600, Int.14, Contender	1975	6.6	347

### Tiller Extension Universal Joints

Universal joints are for connecting the tiller extension to the tiller. Our range gives you maximum control and feedback whilst still proving reliable over long periods of use.



Part Number	Description	Fixing Hole mm	Bolt Length mm	To Suit	Weight g
A4092	UJ Bolt Fixing For Wooden Tiller	4	32	17mm Maximum Outside Diameter Extension	41
A4098	UJ Base Plate Fixing For Wooden Tiller	4	-	17mm Maximum Outside Diameter Extension	41
A5098	Tiller Flexi-Joint Oval Version	5	-	13mm Minimum Inside Diameter Tube	22
A5198	Tiller Flexi-Joint Square Version	5	-	13mm Minimum Inside Diameter Tube	22
A5196	Saddle To Go Under Flexi-Joint	5	-	25mm Tiller Tube	6
A5197	Saddle To Go Under Flexi-Joint	5	-	32mm Tiller Tube	5

### Rudder Stocks

Allen Rudder Stocks have been developed from years of high performance rudder stock designs. The design is based on innovative interlocking precision-machined components, and does away with the chunky pintle and gudgeon brackets that are typically found on pressed aluminium stocks. Instead they are integrated into the main section to give you a clean, cutting-edge look, but it also delivers a 25% weight reduction in comparison to the traditional design. The final assembly is very stiff and robust, making the tiller far more responsive.



Part Number	Description	Blade Thickness mm	Between Pintle mm	Tiller Angle Degrees
A7000	Rudder Stock	25	175	7
A7001	One Piece Pintle & Gudgeon For Use With A7000	-	175	-
A7002-1.0	1000mm Tiller For Use With A7000	-	-	-
A7002-1.1	1100mm Tiler For Use With A7000	-	-	-
A7002-1.2	1200mm Tiller For Use With A7000	-	-	-
A7002-1.3	1300mm Tiller For Use With A7000	-	-	-
A7420	420 Rudder Stock	19	244	-

## Transom Plates, Pintles & Gudgeons

Our range of Rudder Gudgeons and Pintles are available in varying sizes. Designed for fixing to the rudder blade or rudder stock.



Part Number	Description	Fixing Hole Diameter mm	Overall Width mm	Hole / Pin Diameter mm	Strap Length mm	Transom To Pin Centre mm	Weight g
A.420	Transom Gudgeon	5	131	8	30	39	42
A.520	Transom Gudgeon	5	70	8	-	19	28
A.520-10	Transom Gudgeon	5	70	10	-	16	27
A4020	Transom Gudgeon	5	70	8	-	18	22
A4020S	Transom Gudgeon	5	76	8	-	17	41
A4120	Transom Gudgeon	5	76	8	-	18	17
A4420	Optimist Transom Gudgeon	4	44	6.3	-	-	24
A4840	Rudder Gudgeon	5	62	8	-	31	22



Part Number	Description	Fixing Hole Diameter mm	Overall Width mm	Hole / Pin Diameter mm	Strap Length mm	Transom To Pin Centre mm	Weight g
A.519	Transom Pintle	5	70	7.8	-	19	89
A.519-10	Transom Pintle	5	70	10	-	16	95
A4019	Transom Pintle	4	80	7.8	57	18	67
A4019S	Transom Pintle	4	76	7.8	57	17	112
A4317	Transom Pintle	4	32	7.8	37	18	40
A7001	One Piece Pintle & Gudgeon For A7000	5	69	7.59	-	18	100
A.619	Pintle Packing Spacer	71	-	-	-	-	6

## Rudder Retaining Equipment

Our range of acetal and stainless steel rudder retaining equipment holds the rudder in place. Available in a variety of sizes.



Part Number	Description	Fixing Hole Diameter mm	Overall Width mm	Weight g
A..21	Acetal Retaining Clip	4	53	2.5
A..21SS	Stainless Steel Retaining Clip	4	53	-
A.221	Optimist Rudder Retaining Clip	4	51	2.5
A1923	Stainless Steel Retaining Clip With Endcap	5	78	9
A4121	Stainless Steel Retaining Clip	5	78	9

## Rudder Wing Nuts



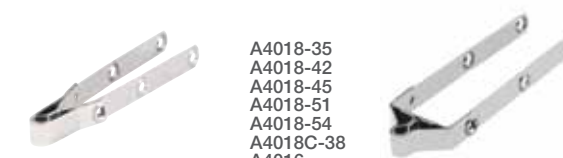
Part Number	Description	Fixing Hole Diameter mm	Overall Width mm	Weight g
A4229-6	Rudder Stock Wing Nut	6	57	21
A4229-8	Rudder Stock Wing Nut	8	57	20
A5229	Wing Nut & Bolt Retainer Plastic	8	65	19

## Rudder Pintles & Gudgeons

Available in varying sizes to match rudder head widths, this range of 316 stainless steel fittings are for fixing to the rudder blade or rudder stock.



Part Number	Description	Fixing Hole Diameter mm	Width mm	Hole / Pin Diameter mm	Pin Length mm	Length mm	Distance From Stock To Pin mm	Weight g
A4017-23	Rudder Pintle	4	23	7.8	40	89	18	88
A4017-35	Rudder Pintle	4	35	7.8	40	89	18	101
A4017-42	Rudder Pintle	4	42	7.8	40	89	18	101
A4017-45	Rudder Pintle	4	45	7.8	40	89	18	101
A4017-51	Rudder Pintle	4	51	7.8	40	89	18	101
A4017-54	Rudder Pintle	4	54	7.8	40	89	18	101
A4017-60	Rudder Pintle	4	60	7.8	40	89	18	101
A4017C-38	Rudder Pintle	4	38	7.8	40	89	18	101
A4117L	Rudder Pintle	4	11	7.8	47	70	18	57
A4117S	Rudder Pintle	4	11	7.8	35	70	18	57
A4417L	Optimist Rudder Pintle	4	12	6	35	78	10	44
A4417S	Optimist Rudder Pintle	4	12	6	19	78	10	40



Part Number	Description	Fixing Hole Diameter mm	Width mm	Hole / Pin Diameter mm	Pin Length mm	Length mm	Distance From Stock To Pin mm	Weight g
A4018-23	Rudder Gudgeon	4	23	8	-	135	18	87
A4018-35	Rudder Gudgeon	4	35	8	-	145	18	105
A4018-42	Rudder Gudgeon	4	42	8	-	145	18	105
A4018-45	Rudder Gudgeon	4	45	8	-	140	18	105
A4018-51	Rudder Gudgeon	4	51	8	-	140	18	105
A4018-54	Rudder Gudgeon	4	54	8	-	140	18	105
A4018C-38	Rudder Gudgeon	4	38	8	-	92	18	83
A4106	Rudder Gudgeon	4	38	8	-	120	18	126
A4318	Rudder Gudgeon	4	43	8	-	123	18	123



# Sailmakers Hardware



Petticrows Dragon - Credit: Elena Razina

## Batten Hardware

In-house injection moulded nylon 6 and high quality 316 stainless steel batten protectors and batten end tensioners.



Part Number	Description	To Suit Batten Width mm	To Suit Batten Thickness mm	Length Overall mm	Width Overall mm	Thickness Overall mm	Weight g
A..51	Batten Protector With Stainless Steel Screws	27	5	46	20	10	7
A.851	Batten Protector With Stainless Steel Screws	23	5	64	35	10	15
A.151	Batten Protector With Brass Screws	34	4	47	10	9	3
A.251	Batten Protector With Brass Screws	60	7	85	15	13	13
A.351	Batten Protector With Stainless Steel Screws	40	5	64	30	10	11
A.451	Batten Protector With Stainless Steel Screws	25	6	43	34	16	13
A.419L	Batten Protector - Long	53	10	91	78	32	142
A.419S	Baton Protector - Short	42	6	70	63	25	80
A.651	Batten End Cap	14.5	6	33	28	10	20
A.751	Batten End Cap	20	7	20	32	10	6
A.101	Batten Compression Adjuster	14	9	71	28	20	8
A.102	Stainless Steel Batten Pocket Connector	-	10	66	18	-	47

## Jib Hanks

High quality in-house injection moulded nylon 6 jib twist on hanks (Patented). Ideal for connecting the luff of the jib to a forestay.



Part Number	Description	Forestay mm	Maximum Luff Wire mm	Weight g
A.144	Small Jib Hank (Patent No: 881696)	4	5	2.66
A.144B	Small Jib Hank (Patent No: 881696) Black	4	5	2.66
A.244	Large Jib Hank (Patent No: 881696)	5	6	3.75
A.344	Jib Hank With Stainless Steel Screw	4	5	2.66

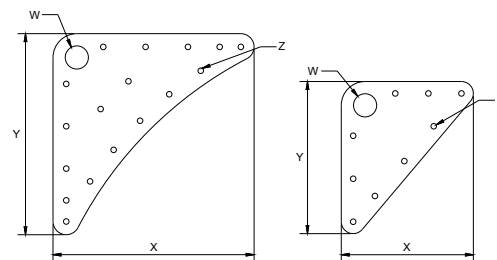
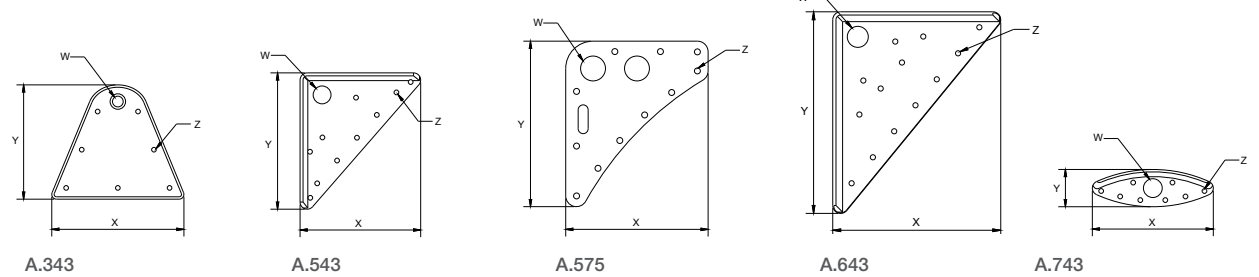
## Luff & Cunningham Blocks



Part Number	Description	Sheave Size mm	Weight g	Length mm	Width mm
A.478	Nylon Cunningham Block With Acetal Sheave	22	16	80	30
A.886	Snap-On 3 Piece Nylon Luff Block	16	6	40	16

## Sail Headboards

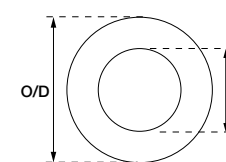
High quality in-house injection moulded nylon 6 sailmakers headboards.



Part Number	Description	W mm	X mm	Y mm	Z mm	Weight g
A.343	Spinnaker	9	110	95	4	18
A.543	Mainsail	16	110	115	4	14
A.575	Mainsail	21	120	140	5	32
A.643	Mainsail	16	126	150	4	25
A.743	Spinnaker	16	112	32	4	4
A.843	Headboard	17	152	152	4	-
A.943	Headboard	17	99	115	4	-
A1043	Headboard	17	75	99	4	-

## Sail Ring

Strong and light weight, in-house injection moulded nylon 6 sail rings.



Part Number	Description	Inside Diameter mm	Outside Diameter mm	Breaking Load Kg	Weight g
A..56	Nylon Sail Ring	13	22	50	0.3
A.156	Nylon Sail Ring	18	32	90	2.5
A.256	Nylon Sail Ring	22	37.5	130	4.5
A.356	Nylon Sail Ring	28	46.5	200	8

## Sail Track Slides & Slugs

Lightweight in-house injection moulded nylon 6 sail slides and slugs. Designed to be stitched or lashed to fabric applications, such as the luff or foot of a mainsails or to attach the sides of an awning.

Sail slugs are designed to go inside a track and sail slides are designed to wrap around the outside of a track.



Part Number	Description	X mm	Y1 mm	Y2 mm	Z1 mm	Z2 mm	Weight g	Breaking Load kg	Maximum Working Load kg
A..89	Internal Sail Slide	32	21	4	15	7	4	250	100
A..90	Internal Sail Slide	35	23	4	18	9	5	275	100
A..91	Internal Sail Slide	39	25	5	21	8	8	500	150
A..92	Internal Sail Slide	45	27.65	2.84	17.9	4.23	13	300	150
A..95	Internal Sail Slide	45	26.9	3.1	15.3	4.23	12	400	250
A..96	Internal Sail Slide	45	28.4	3.77	21.8	4.23	14	500	300
A.158	Sail Slug	22	29	9	8	3	2	100	50
A.258	Sail Slug	50	40	11	14	3	5	200	50
A.358	Sail Slug	22	30	12	12	3	3	120	50
A.758	Sail Slug	45	35.15	4.23	11.60	5.75	14	500	250
A.958	Sail Slug	45	32.45	4.23	8.90	5.75	12	400	250
A1058	Sail Slug	45	30.75	4.23	7.3	5.75	10	300	250
A1158	Sail Slug	45	33.55	4.23	4.40	5.75	14	600	250
A.289	External Sail Slide	23	20	2	18	6	4	75	40
A.389	External Sail Slide	28	20	3	23	6	5	120	50
A.458	Internal Sail Slide	30	29	4	13.8	3	5	250	100
A.558	Internal Sail Slide	25	22	3	10.5	4	2	150	50
A.558DW	Internal Sail Slide	41	21	3	10	5	-	140	30
A.658	Internal Sail Slide	39	34	4.2	17	3.8	10	350	150

## Sail Shackles

High quality in-house injection moulded nylon 6 sail shackles with either screw fixing or snap fixing.



Part Number	Description	Width mm	Length mm	Opening mm	Weight g
A.249	Slide Hank With Screws	52	21	-	4
A.349	Nylon Sail Shackle	13.5	26	4	0.5
A.449	Nylon Sail Shackle	24	45	7	3.5
A.549	Nylon Sail Shackle	28	53	6	6
A.649	Ring	46	60	5	8
A.749	Nylon Sail Shackle	18	36	9	3
A.849	Nylon Sail Shackle	19	39	9	4
A1049	Nylon Sail Shackle	62.15	5.5	15	6

## Thimbles

High quality in house injection moulded nylon 6 and 316 stainless steel thimbles for wire and rope suitable for 2mm to 18mm diameters.



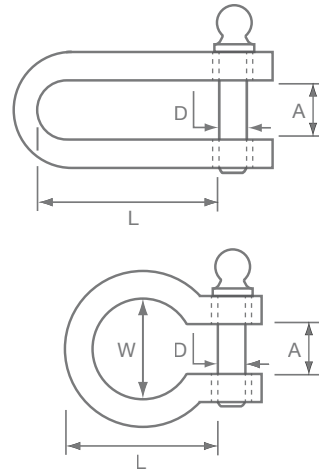
Part Number	Description	A mm	B mm	C mm	D mm	E mm	F mm	H mm	J mm	L mm
A.802	Nylon Thimble For 2mm Rope	12	7.3	4.9	8.8	1.9	2.9	2.1	1.1	0.4
A.803	Nylon Thimble For 3mm Rope	18	10.9	7.3	15.1	2.8	4.3	3.1	1.7	0.6
A.804	Nylon Thimble For 4mm Rope	24	14.5	9.8	17.5	3.8	5.8	4.2	2.3	0.8
A.805	Nylon Thimble For 5mm Rope	30	18.1	12.1	21.9	4.7	7.2	5.0	2.8	0.9
A.806	Nylon Thimble For 6mm Rope	36	21.8	14.6	26.3	5.6	8.6	6.1	3.4	1.1
A.808	Nylon Thimble For 8mm Rope	48	29.0	19.5	35.0	7.5	11.5	8.0	4.5	1.5
A.810	Nylon Thimble For 10mm Rope	60	36.3	24.4	43.8	9.4	14.4	10.0	5.6	1.9
A.812	Nylon Thimble For 12mm Rope	72	43.5	29.3	52.5	11.3	17.3	11.2	6.8	2.3
A.814	Nylon Thimble For 14mm Rope	84	50.8	34.1	61.3	13.1	20.1	13.4	7.9	2.6
A.818	Nylon Thimble For 18mm Rope	108	65.3	43.9	78.8	16.9	25.9	17.2	10.1	3.4
A6010	Stainless Steel Thimble For 2mm Wire Or Rope	20	17	9	12	-	-	3	-	1.0
A6011	Stainless Steel Thimble For 3mm Wire Or Rope	22	18	10	14	-	-	4	-	1.0
A6012	Stainless Steel Thimble For 4mm Wire Or Rope	25	20	11	16	-	-	5	-	1.2
A6013	Stainless Steel Thimble For 5mm Wire Or Rope	26	21	13	18	-	-	6	-	1.2
A6014	Stainless Steel Thimble For 6mm Wire Or Rope	32	27	15	20	-	-	7	-	1.5



# Shackles



International Moth - Credit: Mark Jardine



## Forged Shackles

A range of forged stainless steel shackles, forged for the highest strength to size ratio.



Part Number	Description	L mm	A mm	D mm	Breaking Load kg
A5404S	D Shackle Extra Small	15	8	4	780
A5405N	D Shackle Narrow	19	6	5	1250
A5405S	D Shackle Small	18	11	5	1250
A5406S	D Shackle Medium	24	13	6	2500

## Pressed Shackles

A range of 316 stainless steel pressed shackles designed specifically for dinghies and sportsboats incorporating strength and practicality.



Part Number	Description	L mm	A mm	D mm	W mm	Breaking Load kg	Maximum Working Load kg	Weight g
A4929	Pressed Shackle	9	11	5	-	300	250	6
A4728	Pressed Rigging Link Narrow	10	10	3	11	250	200	3
A4348	Pressed Shackle	14	13	5	14	1000	300	4
A4528	Pressed Rigging Link Narrow	15	11	5	13	900	300	7
A4148	Pressed Shackle	16	8	5	-	1000	500	7

## Pressed Shackles

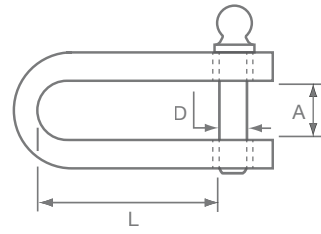


Part Number	Description	L mm	A mm	D mm	W mm	Breaking Load kg	Maximum Working Load kg	Weight g
A4028	Pressed Rigging Link Narrow	16	9	5	-	900	300	7
A4128	Pressed Rigging Link	18	7	5	-	700	300	7
A4428	Pressed Shackle	20	16	5	-	1000	300	7
A4328	Pressed Rigging Link Narrow	21	12	5	14	1000	300	9
A4048	Pressed Shackle	20	13	5	14	800	300	10
A4828	Bayonet Halyard Shackle	25	13	5	-	550	200	17
A1438	Pressed Shackle	27	16	6	19	1000	500	19
A4228	Large Pressed Rigging Link Narrow	29	8	5	13	1300	600	20
A4138	Pressed Rigging Link	31	13	5	-	800	300	14

**Round Body Shackle** A range of 316 stainless steel round body shackles and bow shackles with a forged pin.



Part Number	Description	L mm	A mm	D mm	W mm	Breaking Load kg
A-621104	D Shackle With Forged Pin	16	8	4	-	500
A-621105	D Shackle With Forged Pin	20	10	5	-	950
A-621106	D Shackle With Forged Pin	24	13	6	-	1500
A-621108	D Shackle With Forged Pin	32	6	8	-	2500
A-621110	D Shackle With Forged Pin	40	20	10	-	4100
A-622104	Bow Shackle With Forged Pin	20	8	4	14	500
A-622105	Bow Shackle With Forged Pin	25	10	5	17	950
A-622106	Bow Shackle With Forged Pin	30	12	6	21	1500
A-622108	Bow Shackle With Forged Pin	41	16	8	28	2500
A-623104	Long D Shackle With Forged Pin	32	8	4	-	500
A-623105	Long D Shackle With Forged Pin	40	10	5	-	950
A-623106	Long D Shackle With Forged Pin	48	12	6	-	1500
A-623108	Long D Shackle With Forged Pin	64	16	8	-	2500
A-623110	Long D Shackle With Forged Pin	80	20	10	-	3000
A-624105	Twisted Shackle With Forged Pin	24	8	5	-	500
A-624106	Twisted Shackle With Forged Pin	30	10	5	-	950
A-624108	Twisted Shackle With Forged Pin	36	12	6	-	1500
A-624110	Twisted Shackle With Forged Pin	44	16	8	-	2500



### Strip Shackle

A range of 316 stainless steel strip shackles designed for strength and practicality.



Part Number	Description	L mm	A mm	D mm	Breaking Load kg
A6020	D Shackle With Standard Pin	15	10	4	500
A6021	D Shackle With Standard Pin	20	11	4	600
A6022	D Shackle With Standard Pin	17	12	5	1000
A6023	D Shackle With Standard Pin	24	16	5	1000
A6024	D Shackle With Standard Pin	36	16	5	1200
A6027	Shackle With Key Pin	24	16	6	1200
A6028	D Shackle With Standard Pin	40	15	6	1200
A6035	D Shackle With Slotted Pin	15	10	4	500
A6036	D Shackle With Slotted Pin	20	11	4	600
A6037	D Shackle With Slotted Pin	17	12	5	1000
A6038	D Shackle With Slotted Pin	24	16	5	1000
A6039	D Shackle With Slotted Pin	36	16	5	1200
A6040	D Shackle With Slotted Pin	25	12	5	1200
A6045	Bow Shackle With Standard Pin	23	14	6	2000
A6046	Bow Shackle With Standard Pin	31	17	8	3000
A6047	Bow Shackle With Standard Pin	40	21	10	5000
A6048	Bow Shackle With Standard Pin	50	25	12	7000
A6060	Twisted Shackle With Standard Pin	22	12	5	1200
A6061	Twisted Shackle With Standard Pin	33	12	5	1200
A6062	Twisted Shackle With Standard Pin	36	14	6	2000
A6065	Shackle With Key Pin	17	11	4	600
A6066	Shackle With Key Pin	36	15	5	1200
A6067	Shackle With Key Pin	26	13	5	1200
A6068	Shackle With Key Pin	40	15	6	2000
A6069	Shackle With Key Pin	25	14	6	2000
A6075	Shackle With Key Pin And Extra Pin & Ring	12	23	5	700
A6076	Shackle With Key Pin And Extra Pin & Ring	15	33	5	700
A6077	Shackle With Key Pin And Extra Pin & Ring	14	23	6	1500
A6078	Shackle With Key Pin And Extra Pin & Ring	20	38	8	2000

## Accessories



### Wind Indicators

Aerovane Wind Indicators - Light, responsive and balanced for accurate wind indication.

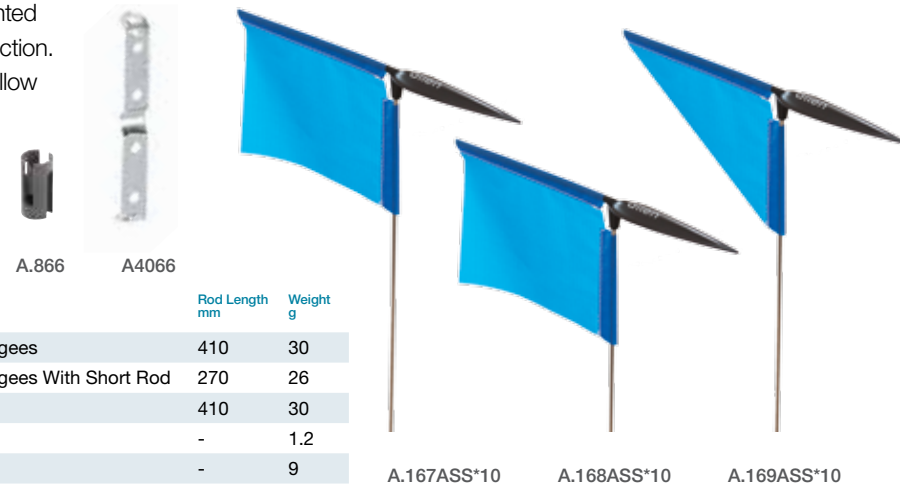


Part Number	Description	Rod Length mm	Weight g
A..71	Aerovane - Mast Head Mounted	270	10
A..71M	Aerovane - Lower Mast Mounted	270	11
A..71R	Aerovane - Rail Mounted	270	15
A.171	Large Aerovane - Mast Head Mounted	330	35
A.171M	Large Aerovane - Lower Mast Mounted	330	37



## Burgeses

Fabric racing and cruising burgeses. Mounted at the top of a mast to establish wind direction. Available as a pack of 10 in Blue, Red, Yellow and Pink or assorted.



Part Number	Description	Rod Length mm	Weight g
A.167ASS*10	10 Assorted Colours Racing Burgeses	410	30
A.168ASS*10	10 Assorted Colours Racing Burgeses With Short Rod	270	26
A.169ASS*10	10 Assorted Cruising Burgeses	410	30
A.866	Optimist Mast Peg	-	1.2
A4066	Burgee Clip For Mast	-	9

## Inglefield Clips

Pressure die cast aluminium and in house injection moulded nylon clips for fastening two lines or shock cords together, such as flags or spinnaker bags.



Part Number	Description	Maximum Rope Diameter mm	Length mm	Thickness mm	Weight g
A..75	Small Clip (Flags)	5	26	7	2
A..74	Medium Clip (Spinnaker)	6	36	4	7
A..74M	Moulded Inglefield Clip	6	36	4	1
A.174	Large Clip (Spinnaker)	10	50	10	19



## Tidy Clips

High quality in house injection moulded nylon 6 tidy clips to store your spinnaker pole, oars or other loose parts securely.

Part Number	Description	Tube Diameter mm	Base Size mm	Overall Height mm	Fixing Hole Size mm	Distance Between Fixings mm	Weight g
A.754	Extra Small Spring Clip	19	19 x 14 x 4	25	3	-	0.5
A.754W	Extra Small White Spring Clip	19	19 x 14 x 4	25	3	-	0.5
A.854	Small Spring Clip	22	22 x 16 x 5	29	3	8	2.5
A.854W	Small White Spring Clip	22	22 x 16 x 5	29	3	8	2.5
A.254	Medium Spring Clip	25	26 x 15 x 4	34	3	9	3
A.254W	Medium White Spring Clip	25	26 x 15 x 4	34	3	9	3
A.354	Large Spring Clip	32	30 x 18 x 4	46	4	11	7
A.354W	Large White Spring Clip	32	30 x 18 x 4	46	4	11	7
A.554	Extra Large Spring Clip	38	35 x 19 x 4	55	4	12	10
A.554W	Extra Large White Spring Clip	38	35 x 19 x 4	55	4	12	10
A.654	Jumbo Spring Clip	44	41 x 22 x 5	64	4	21	16

## Nylon Hooks

High quality in-house injection moulded nylon 6 hooks will suit a variety of different applications. Nylon Hooks are available in black, white, grey and orange.



Part Number	Description	Max Rope Diameter mm	Length mm	Weight g
A..59	Nylon 'Handy' Hook	4	38	2
A.259	Nylon 'Handy' Hook	6	47	5
A.359	Nylon Spring Hook	8	53	5
A.559	Nylon 'Handy' Hook	8	62	11
A.659	Nylon Spring Hook	6	53	10

## Stainless Steel Hooks

High quality formed and pressed 316 stainless steel hooks suitable for connecting a wide range of products, rope, wire etc. where the part needs to be readily removed either during or after sailing.



Part Number	Description	Max Rope Diameter mm	Length mm	Weight g
A4057	40mm Round Boom Outhaul Hook	-	90	33
A4069	Forged Twisted Hook	12	60	29
A4157	Spinnaker Uphaul Hook	4	54	9
A4159	'S' Hook	10	67	19
A4259	'S' Hook With Keeper	10	67	20
A4369	Hook With Nylon Retainer	6	60	16
A4459	Welded 'S' Hook With Keeper	10	61	27
A4659	Welded 'S' Hook	10	61	27
A4759	Welded 'S' Hook	12	67	32
A4869	Forged Hook	5	52	23
A4869K	Forged Hook With Keeper	5	52	24.1
A4969	Forged Twisted Hook	5	52	23
A731705	Carbine Hook	8	50	-
A731705-E	Carbine Hook With Eye	7.5	50	-
A731706	Carbine Hook	9	60	-
A731706-E	Carbine Hook With Eye	8	60	-
A731707	Carbine Hook	10	70	-
A731707-E	Carbine Hook With Eye	9	70	-
A731708	Carbine Hook	12	80	-
A731708-E	Carbine Hook With Eye	11	80	-
A731709	Carbine Hook	13	90	-
A731709-E	Carbine Hook With Eye	12	90	-
A731710	Carbine Hook	15	100	-
A731710-E	Carbine Hook With Eye	14	100	-

## Trapeze Harness

For many years the Allen development team were keen to design a trapeze system that improves the safety of the sport and reduces the risk of entrapment by the traditional hook-on trapeze harness.

Designer Julian Bethwaite had also been thinking along the same lines and had produced a prototype of the Keyball trapeze system. In conjunction with Bethwaite Design, Allen has developed the concept into a sleek and innovative design, eliminating the hook altogether and creating a safe intuitive solution that really works.

The Allen Keyball system removes the traditional hook from the trapeze harness and replaces it with a moulded plastic socket. The Keyball socket has no sharp edges or protruding parts meaning there is a reduced risk of entrapment for the user. By wearing a Keyball harness you will also limit the chances of damaging the equipment on the boat, users are less likely to rip the sail or pierce the deck/hull of a boat because of the lack of pointy edges.

**Banks Sails Radial Keyball Harness** - Using sailmaking techniques Banks Sails developed the Radial Harness, probably the most comfortable harness on the market. The load from the Keyball is spread by radial patches completely eliminating creasing around the back. The Radial Harness offers a range of adjustment around the waist, shoulders and groin.

**Banks Sails Skiff Keyball Harness** - The Skiff Harness is a totally new design. It has been developed alongside top sailors to offer the ultimate racing performance. There is no waist adjustment and therefore it is lean of rope and webbing straps. This harness is ideal for the modern high-performance dinghy crew and is exceptionally light and comfortable.  
\* Harness does not include Keyball handle

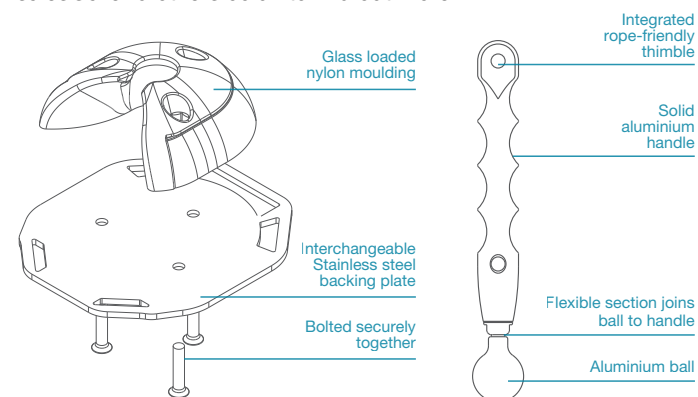
Demo Harness are available upon request. Please contact sales@allenbrothers.co.uk to find out more.



Radial Keyball Harness



Skiff Keyball Harness



Part Number	Description	Widest Point mm	Leg Circumference mm
KEYBALLHARNESS-RAD-S	Radial Keyball Harness Small	92	57
KEYBALLHARNESS-RAD-M	Radial Keyball Harness Medium	1020	67
KEYBALLHARNESS-RAD-L	Radial Keyball Harness Large	110	72
KEYBALLHARNESS-SKIFF-S	Skiff Keyball Harness Small	98	64
KEYBALLHARNESS-SKIFF-M	Skiff Keyball Harness Medium	102	66
KEYBALLHARNESS-SKIFF-L	Skiff Keyball Harness Large	108	70
KEYBALLHARNESS-SKIFF-XL	Skiff Keyball Harness Extra Large	116	76



Wide opening allows for easy target area



3D profile guides the ball in



Once located it is secure in a secondary recess

## Allen Keyball Trapeze - Equipment

Various accessories for trapeze wires and harnesses



Part Number	Description	Maximum Rope Diameter mm	Webbing Size mm	Length mm	Weight g
A4043	Keyball Trapeze System Handle (Pair)	5	-	160	141
A4043C	Keyball Trapeze System - Moulding	-	-	-	73
A4043-KIT	Keyball Trapeze System - Complete With 2 Handles	-	45/20	-	456
A4043N	Keyball Trapeze System - Moulding With Narrow B/P	-	45/20	-	305
A4043N-1	Keyball Trapeze System - Moulding With Square B/P	-	-	-	292
A4043W	Keyball Trapeze System - Moulding With Wide B/P	-	45/20	-	406
A4043W-1	Keyball Trapeze System - Moulding With Wire Buckle	6	45	-	372
A4043W-KIT	Keyball Trapeze System - Complete With 2 Handles	-	45/20	-	-

## Trapeze Hardware

A carefully designed range of accessories for trapeze and harness systems.



Part Number	Description	Maximum Rope Diameter mm	Webbing Size mm	Length mm	Maximum Wire Diameter mm	Weight g
A..60	Nylon Trapeze Handle 'T' Type	3	-	54	3	13
A..62	Trapeze Disc Handle	4	-	-	-	-
A4040	Trapeze Harness Buckle With Strap Adjusters	-	40	-	-	170
A4161LZ	Narrow Trapeze Ring With Plain Bearing Block	6	-	133	-	54
A4261	Wide Trapeze Ring With 20mm B/B Block And S/S Ring	2.5 - 6	-	137	-	68
A4461	5mm Wire Trapeze Ring	-	-	-	-	64
A4461-6	6mm Wire Trapeze Ring	-	-	-	-	90
A6180	Stainless Steel Trapeze Terminal With Eye	1 - 3	-	-	-	-
C253	Clam Cleat Trapeze M6 Ali Silver	4 - 8	-	89	-	46
C253A	Clam Cleat Trapeze M6 Anodized	4 - 8	-	89	-	46



## Ball Stoppers

High quality in-house injection moulded polypropylene ball stoppers suitable for numerous applications. Available in 4 sizes and 8 colours red, blue, green, purple, yellow, black, white and grey. Also available to order in assorted colour packs.



A..22  
A.222  
A.122  
A.322

A.271

Part Number	Description	Line Diameter mm	Size mm
A..22	Small Ball Stopper	4	13
A.222	Medium Ball Stopper	5	19
A.122	Large Ball Stopper	7	25
A.322	Extra Large Ball Stopper	8	31
A.271	Black Tube Rope Stopper	5	17

## Boat Hook



Part Number	Description	Diameter mm	Weight g
A.361	Moulded Boat Hook End	22	16.8

## Rowlocks & Sockets

High quality in-house injection moulded nylon 6 rowlocks to suit oars from 38mm to 45mm. Side and centre mount rowlock sockets in black or white.



Part Number	Description	To Suit Oar Diameter mm	Fixing Hole Size mm	Rowlock Diameter mm	Fixing Hole Centres mm	Weight g	Colour
A.290	Small Nylon Rowlock	38	-	19	-	33	Black
A.290W	Small Nylon Rowlock - white	38	-	19	-	33	White
A.390	Large Gooseneck Nylon Rowlock	45	-	19	-	40	Black
A.390W	Large Gooseneck Nylon Rowlock - white	45	-	19	-	40	White
A.291	Small Nylon Rowlock Socket	-	4	19	49	11	Black
A.291W	Small Nylon Rowlock Socket - white	-	4	19	49	11	White
A.391	Medium Nylon Rowlock Socket	-	4	19	49	20	Black
A.391W	Medium Nylon Rowlock Socket - white	-	4	19	49	20	Black
A.391SC	Open Ended Nylon Rowlock Socket	-	4	19	49	20	Black
A.392	Side Mount Nylon Rowlock Socket	-	4	19	37 & 55	35	Black
A.392W	Side Mount Nylon Rowlock Socket - white	-	4	19	37 & 55	35	White
A.393	Rowlock Socket Wedge For A.392	-	4	-	37 & 55	8	

## Toe Strap Plates & Buckles

Fixing plates for toe straps and stainless steel buckles for straps



A..99B  
A..99G  
A..99LG  
A..99RB-CAN  
A..99W

A.199

A..38  
A..38W

A.138

A.238

Part Number	Description	Fixing Hole Diameter mm	Length mm	Width mm	Thickness mm	Distance Between Fixing Hole mm	Inside Length mm	Weight g
A..99B	Toe Strap Plate Black	5	47	19	5	28	-	3.5
A..99G	Toe Strap Plate Grey	5	47	19	5	28	-	3.5
A..99LG	Toe Strap Plate Light Grey	5	47	19	5	28	-	3.5
A..99RB-CAN	Toe Strap Plate Royal Blue	5	47	19	5	28	-	3.5
A..99W	Toe Strap Plate White	5	47	19	5	28	-	3.5
A.199	Toe Strap Plate White	5	50	18	5.25	34	-	5
A..38	Lacing Strap Small	5	58	16	5	43	26	4
A..38W	Lacing Strap Small White	5	58	16	5	43	26	4
A.138	Lacing Strap Medium	5	66	16	5	51	35	5
A.238	Lacing Strap Large	5	74	16	5	58	48	7



A4030

A4050

A4099

Part Number	Description	Fixing Hole Size mm	Length mm	Width mm	Thickness mm	Distance Between Fixing Hole mm	Inside Length mm	Weight g
A4030	Toe Strap Buckle Stainless Steel	-	57	38	2	-	-	24
A4050	Buckle And Fixing Plate	5	73	57	2	38 x 25	44	48
A4099	Toe Strap Plate Stainless Steel	5	51	16	2	28	-	9.5

## Splicing Kit



4MMS.NEEDLE  
5.5MMS.NEEDLE

S034L

Part Number	Description	Length mm	Diameter mm	Maximum Rope Diameter mm
4MMS.NEEDLE	4mm Splicing Needle	115	5	4
5.5MMS.NEEDLE	5.5mm Splicing Needle	120	6	5.5
S034L	Small Splicing Needle	170	2.5	-

# Race Packs



Laser - Credit: Tim Olin

Allen Race Packs are an easy and class legal way to upgrade your control systems on your Laser ® dinghy. Go to <https://www.youtube.com/watch?v=fgveQKkOQI4&t> to watch the instructional rigging guide or scan the QR codes below.



A8331

Part Number Description

A8331 Dinghy Kicker Pack

A8332 Dinghy Downhaul And Outhaul Pack



A8332

Parts Included

SA.873, A5861, A4380F-HLK, A2023, Rope

A2020, A2021HK, A5849, A5848, A.222W, A..22W, Rope

# Spare & Replacement Parts



A.186



A4903



ARBALL1/4D



ARBALL1/4T  
ARBALL5T



ASP2158L  
ASP2158R  
ASP2224L  
ASP2224R

Part Number	Description	For Use With	Width mm	Length mm	Fixing Hole Centres mm	Weight g	Outside Diameter mm	Inside Diameter mm
A.186	Sheave Cheek	A..86	30	32	14 x 25	4	600	1
A4903	Forestay Shield	-	-	-	-	15.4	74	20
ARBALL1/4D	Delrin Balls	Mainsheet Jammers	-	-	-	-	6.35	-
ARBALL1/4T	Turlon Balls	Low And Maxi Traveller Cars	-	-	-	-	6.35	-
ARBALL5T	Turlon Balls	Mini Traveller Cars	-	-	-	-	5	-
ASP2158L	Left Side Replacement Spring	A..76	-	-	-	0.5	-	-
ASP2158R	Right Side Replacement Spring	A..76	-	-	-	0.5	-	-
ASP2224L	Left Side Replacement Spring	A..77	-	-	-	0.5	-	-
ASP2224R	Right Side Replacement Spring	A..77	-	-	-	0.5	-	-

## Vent Cover

Skin Fitting Vent Cover



A4037

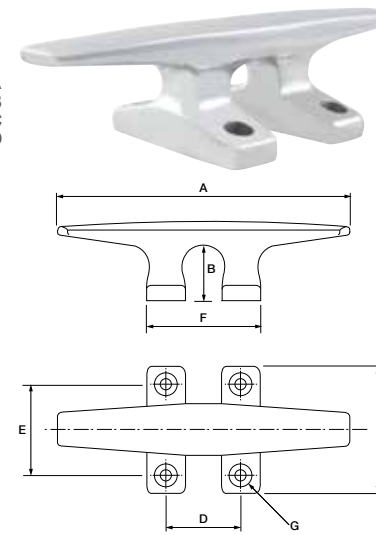
Part Number	Description	Fixing Hole Diameter mm	Fixing Hole Centres mm	Height mm	Length mm	Width mm
A4037	Skin Fitting Vent Cover	4	48 x 43	15	56	18.3



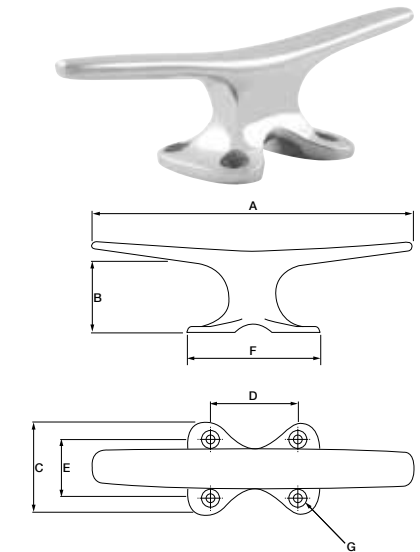
# Yacht & Keelboat Fittings



YS7109A  
YS7109B  
YS7109C  
YS7109D  
YS7109E

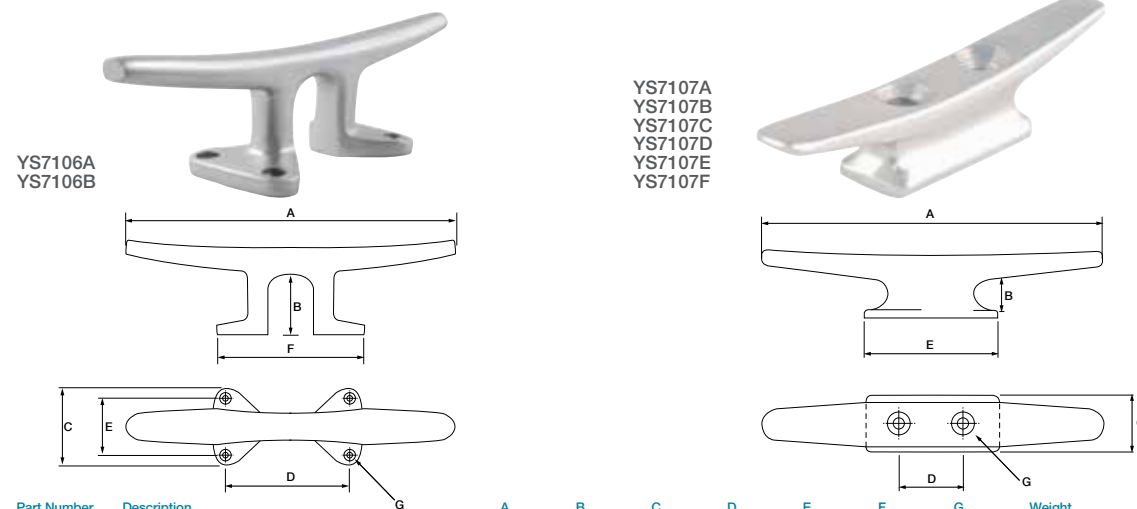


YS7110A  
YS7110B  
YS7110C  
YS7110D



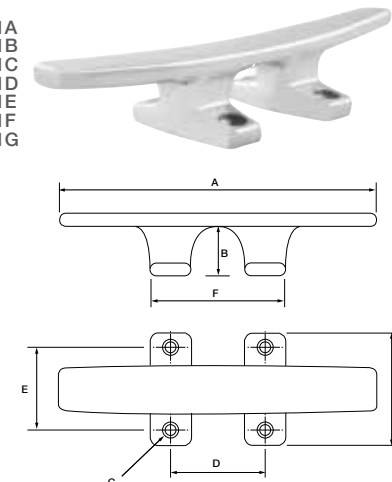
Part Number	Description	A mm	B mm	C mm	D mm	E mm	F mm	G mm	Weight Kg
YS7109A	Deck Cleat	153	27	69	40	46	64	M8	0.28
YS7109B	Deck Cleat	205	36	80	55	56	83	M8	0.60
YS7109C	Deck Cleat	265	42	104	75	74	107	M8	1.00
YS7109D	Deck Cleat	311	42	104	67	75	105	M8	1.10
YS7109E	Deck Cleat	362	48	117	76	78	116	M10	1.40
YS7110A	Deck Cleat	91	9	35	36	20	54	M4	0.04
YS7110B	Deck Cleat	103	4	34	31	22	46	M4	0.05
YS7110C	Deck Cleat	132	8	44	37	28	56	M5	0.08
YS7110D	Deck Cleat	167	7.5	50	46	30	71	M5	0.16

**Aluminium Deck Hardware** A high quality range of cast aluminium products utilising the Allen in-house foundry gravity die casting system.

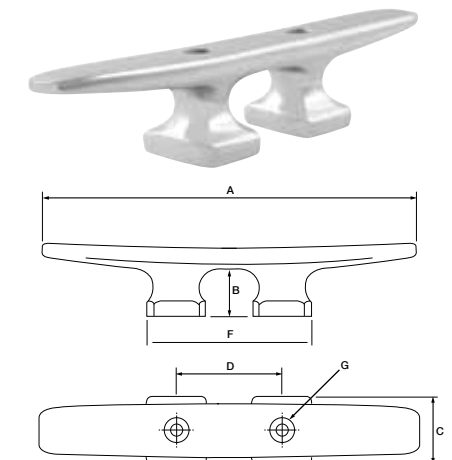


Part Number	Description	A mm	B mm	C mm	D mm	E mm	F mm	G mm	Weight Kg
YS7106A	Deck Cleat	245	43	68	95	45	117	M6	1.40
YS7106B	Deck Cleat	307	54.5	80	120	50	151	M8	1.00
YS7107A	Deck Or Mast Cleat	83	10	16.5	20	38	35	M5	0.03
YS7107B	Deck Or Mast Cleat	112	10	20	26	49	45	M5	0.06
YS7107C	Deck Or Mast Cleat	158	18	28	30	64	60	M6	0.15
YS7107D	Deck Or Mast Cleat	178	20	29	35	71	70	M6	0.25
YS7107E	Deck Or Mast Cleat	205	21	31.5	35	75	75	M6	0.25
YS7107F	Deck Or Mast Cleat	253	25	38.5	45	101	100	M10	0.50

YS7111A  
YS7111B  
YS7111C  
YS7111D  
YS7111E  
YS7111F  
YS7111G



YS7115A  
YS7115B  
YS7115C

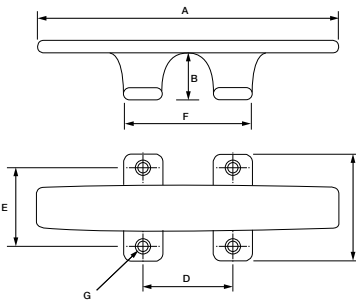


Part Number	Description	A mm	B mm	C mm	D mm	E mm	F mm	G mm	Weight Kg
YS7111A	Deck Cleat	161	18	58	52	38	75	M6	0.25
YS7111B	Deck Cleat	207	23	65	60	46	84	M6	0.30
YS7111C	Deck Cleat	254	28.4	83	75	57	112	M8	0.65
YS7111D	Deck Cleat	305	29	82	78	57	112	M8	0.75
YS7111E	Deck Cleat	355	30	87	84	60	121	M8	1.00
YS7111F	Deck Cleat	405	33	90	88	62	128	M8	1.35
YS7111G	Deck cleat	450	34	107	94	77	135	M10	2.00
YS7115A	Deck Or Mast Cleat	156	23	32	48	-	75	M6	0.18
YS7115B	Deck Or Mast Cleat	179	25	33	54	-	83	M6	0.20
YS7115C	Deck Or Mast Cleat	201	28	37	59	-	86	M6	0.30

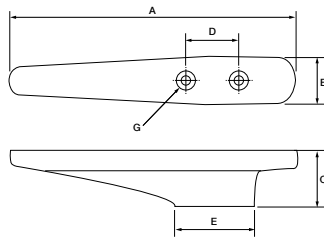
## Cleats continued



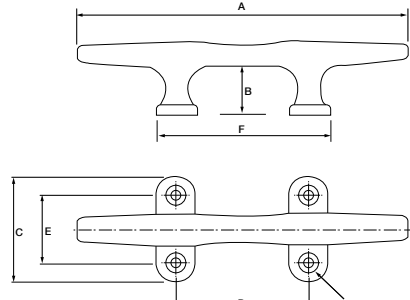
YS7116B  
YS7116C  
YS7116D



YS7164A



YS7180A  
YS7180B  
YS7180C

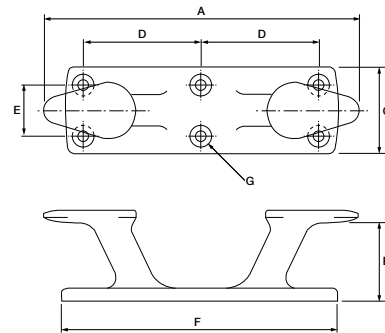


Part Number	Description	A mm	B mm	C mm	D mm	E mm	F mm	G mm	Weight Kg
YS7116B	Deck Cleat	200	38	89	75	60	103	M8	461
YS7116C	Deck Cleat	254	39	90	77	64	106	M8	554
YS7116D	Deck Cleat	350	39	81	79	55	114	M8	690
YS7164C	Jammer Deck Cleat	150	30	30	53	64	-	M6	1.63
YS7180A	Open Base Cleat	142	21.5	45	58	29	78	M5	0.10
YS7180B	Open Base Cleat	166	21	48	69	31	90	M5	0.20
YS7180C	Open Base Cleat	202	31	65	79	42	105	M6	0.25

## Bollard



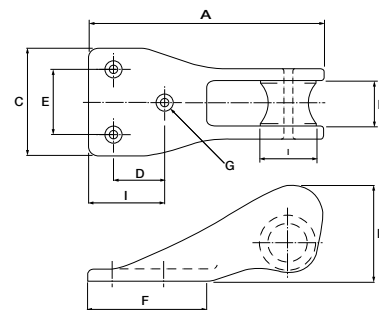
Part Number	Description	A mm	B mm	C mm	D mm	E mm	F mm	G mm	Weight Kg
YS7112D	Raked Bollard	276	63	70	102	46	237	M8	1.0
YS7112E	Raked Bollard	312	78	70	102	46	237	M8	1.6



## Bow Rollers



Part Number	Description	A mm	B mm	C mm	D mm	E mm	F mm	G mm	H mm	Weight Kg
YS869A	Low Bow Roller	165	70	70	40	45	80	M6	30	0.45



## Drop Nose Pins



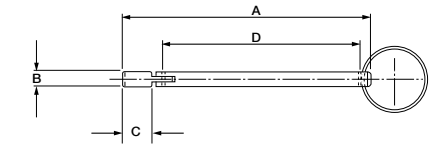
YS7134P



YS7181DP



YS7181P  
YS7181SP

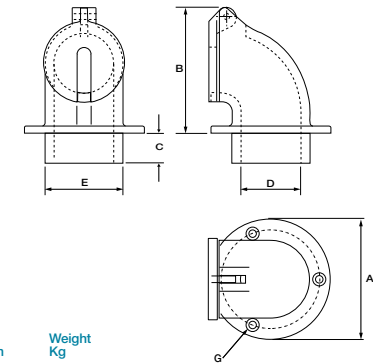


Part Number	Description	A mm	B mm	C mm	D mm	Weight g
YS7134P	Drop Nose Pin	85	8	12	58	14
YS7181DP	Drop Nose Pin	107	8	15	80	12
YS7181P	Drop Nose Pin	148	8	25	115	15
YS7181SP	Drop Nose Pin	120	8	12	92	16

## Chain Pipe



Part Number	Description	A mm	B mm	C mm	D mm	E mm	G mm	Weight Kg
YS7138A	Right Angle Chain Pipe	80	80	10	45	35	M5	0.30
YS7138B	Right Angle Chain Pipe	105	105	25	65	50	M6	0.60



## Furling Boom Claw Ring



Part Number	Description	Diameter mm
YS7167A	Cast Aluminium Claw Ring	76mm
YS7167B	Cast Aluminium Claw Ring	126mm
YS7167C	Cast Aluminium Claw Ring	175mm



## Cast Aluminium Yacht Fairleads



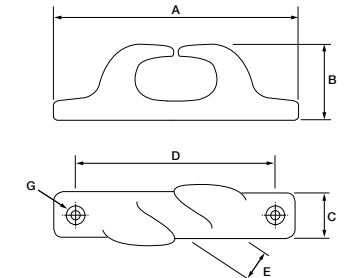
Part Number	Description	A mm	B mm	C mm	D mm	E mm	F mm	G mm	Weight Kg
YS7117A	Straight Fairlead	145	40	29	117	15	-	M8	0.25
YS7117B	Straight Fairlead	177	55	37	151	29	-	M8	0.35
YS7117C	Straight Fairlead	196	63	42	165	40	85	M8	0.55



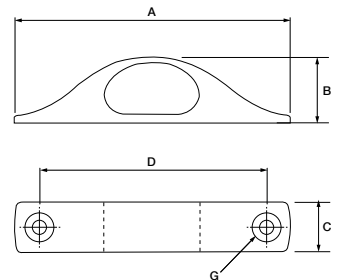
Part Number	Description	A mm	B mm	C mm	D mm	E mm	G mm	Weight Kg
YS7119D	Handed Fairlead	173	50	37	147	24	M8	0.30



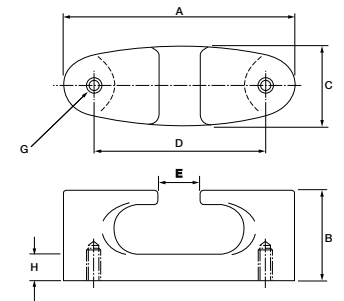
Part Number	Description	A mm	B mm	C mm	D mm	E mm	G mm	Weight Kg
YS7120A	Handed Fairlead	86	31	14.5	67.5	12.5	M5	0.15
YS7120B	Handed Fairlead	105	33	23.5	84	18	M5	0.20
YS7120C	Handed Fairlead	128	38	30	105	18	M6	0.35
YS7120D	Handed Fairlead	160	42	33	132	18	M8	0.58
YS7120E	Handed Fairlead	177	46	32.5	150	21	M8	0.80
YS7120F	Handed Fairlead	219	58	44.5	178	31	M10	1.45



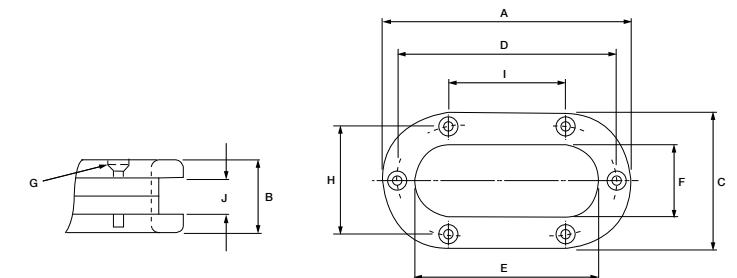
Part Number	Description	A mm	B mm	C mm	D mm	E mm	G mm	Weight Kg
YS7121C	Handed Fairlead	134	40.5	29	111	17	M6	0.32
YS7121D	Handed Fairlead	158	50	32	134	19.5	M8	0.36
YS7121E	Handed Fairlead	210	62.5	41	175	29.5	M10	0.60



Part Number	Description	A mm	B mm	C mm	D mm	G mm	Weight Kg
YS800A	Closed Fairlead	89	30	22	72	M5	0.06
YS801A	Closed Fairlead	159	43	32	127	M8	0.2



Part Number	Description	A mm	B mm	C mm	D mm	E mm	G mm	Weight Kg
YS8380	Straight Fairlead	107	50	41	78	20	M8	0.35
YS8380A	Straight Fairlead	127	68	49	93	25	M10	0.60

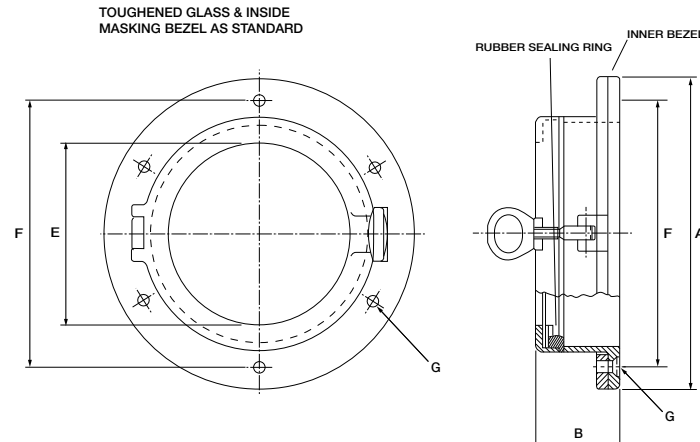


Part Number	Description	A mm	B mm	C mm	D mm	E mm	F mm	G mm	J mm	Weight Kg
YS863A	Through Fairlead	109	32	58	95	79	30	M4	9	0.16
YS863C	Through Fairlead	164	72	100	135	111	52	M6	14	0.80

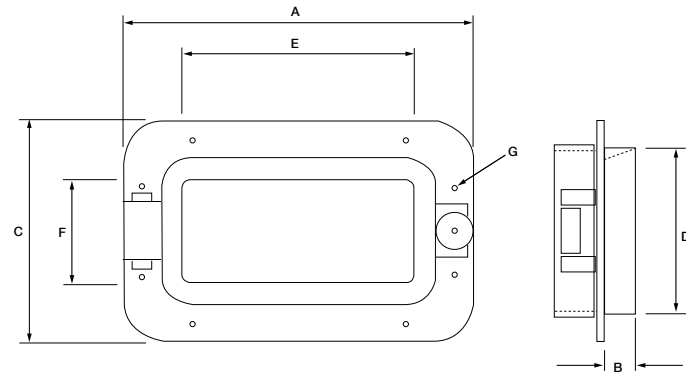
## Cast Portlights



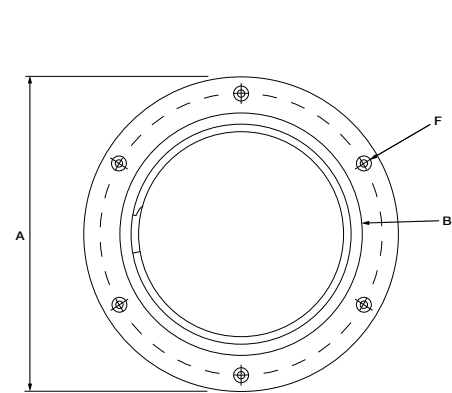
YS7148A



YS7149A



YS872A  
YS872C



Part Number	Description	A mm	B mm	C mm	D mm	E mm	F mm	G mm	Weight Kg
YS7148A	Opening Portlight	230	58	-	-	130	201	M5	1.40
YS7149A	Opening Portlight	225	20	175	140	148	98	M6	1.75
YS872A	Portlight	145	107	PCD 130.8	22.5	14.5	M5x6	-	0.55
YS872C	Portlight	222	171	PCD 200	23	15	M5x6	-	0.9

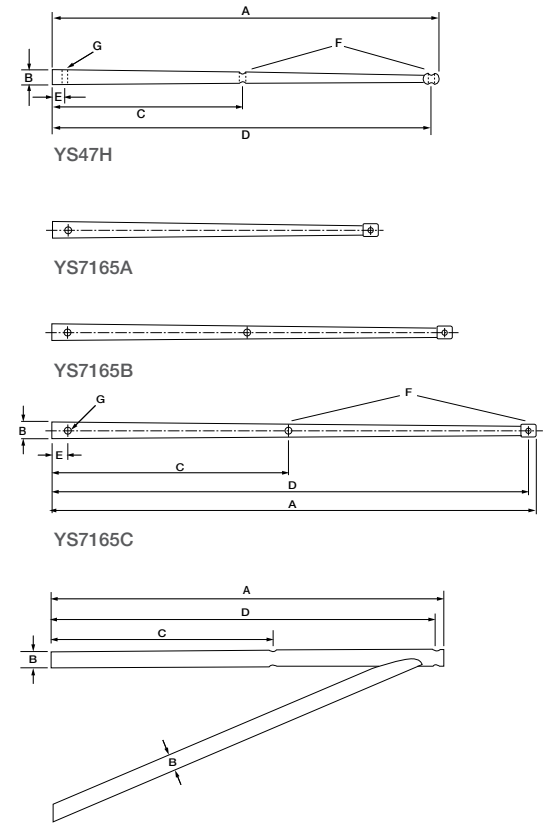
## Aluminium Yacht Stanchions & Bases



YS47H

YS7165A  
YS7165B  
YS7165C

YS47H-GWA/B  
YS47K-GWA/B



YS47H

YS7165A

YS7165B

YS7165C

YS47H-GWA/B  
YS47K-GWA/B

Part Number	Description	A mm	B mm	C mm	D mm	E mm	F mm	G mm	Weight Kg
YS47H	Toe Rail Stanchion	610	25	345	593	25.4	-	5	0.70
YS47H-GWA/B	Gangway Gates	610	25.4	345	597	-	-	-	1.62
YS47K-GWA/B	Gangway Gates	686	25.4	375	675	-	-	-	1.85
YS7165A	Tapered Stanchion	508	25.4	-	497	25.4	-	4.8	0.30
YS7165B	Tapered Stanchion	635	25.4	305	622	25.4	-	4.8	0.39
YS7165C	Tapered Stanchion	762	25.4	357	750	25.4	-	4.8	0.46



YS47-20

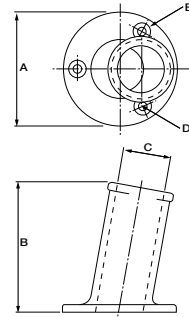
YS7157A

YS7157B

Part Number	Description	A mm	B mm	C mm	D mm	E mm	F mm	G mm	Weight Kg
YS47-20	Stanchion Base	74	74	26.5	44.5	37	5.5	M6	0.50
YS7157A	Stanchion Base	95.5	67.5	25.4	64	-	-	M6	0.30
YS7157B	Stanchion Base	90	63.5	25.4	70	-	-	M6	0.25

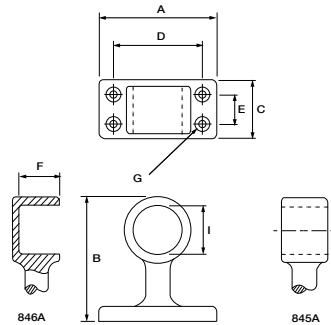


## Flagstaff Socket



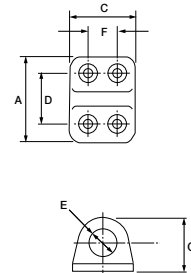
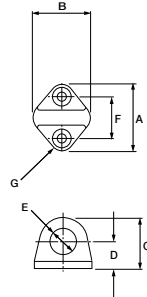
Part Number	Description	A mm	B mm	C mm	G mm	Weight Kg
YS7141A	Angled Flagstaff Socket	67.5	71	25.4	M5	0.15
YS7141B	Angled Flagstaff Socket	61	72	19	M5	0.11

## Handrail Brackets



Part Number	Description	A mm	B mm	C mm	D mm	E mm	F mm	G mm	I mm	Weight Kg
YS845A	Pass Through Handrail Bracket	65	70	32	45	18	-	M4	25.4	0.14
YS846A	Handrail End Bracket	65	70	32	45	18	20	M4	25.4	0.14

## Fender Eyes



Part Number	Description	A mm	B mm	C mm	D mm	E mm	F mm	G mm	Weight Kg
YS7125A	Fender Eye With 4 Fixings	50	32	38	36	17.5	21	M5	0.03
YS852A	Fender Eye With 2 Fixings	35	-	30	24	13	-	M4	0.02

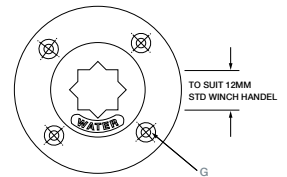
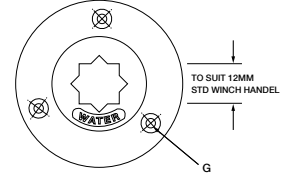
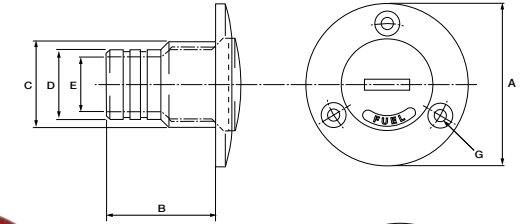
## Winch Handles

Our practical, affordable winch handles are made from high-grade anodised aluminium with a free running nylon handle. They are available with a locking or non-locking socket.



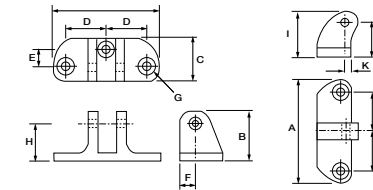
Part Number	Description	Arm Length mm
A1221	Non-Locking	200
A1221L	Locking	200

## Deck Fillers

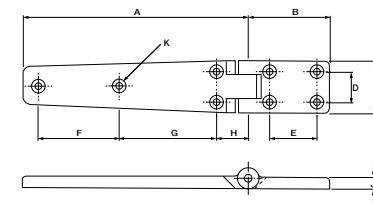


Part Number	Description	A mm	B mm	C mm	D mm	E mm	G mm	Weight Kg
YS812	Deck Filler Small - Slot Head	86	63	48	40	30	M6	0.25
YS813	Deck Filler Small - Winch Handle	86	63	48	40	32	M6	0.25
YS850	Deck Filler Large - Winch Handle	91	70	59	51	38	M6	0.38
YS851	Deck Filler Large - Slot Head	91	70	59	51	38	M6	0.55
YS-FUEL	Fuel Label	-	-	-	-	-	-	-
YS-WATER	Waste Label	-	-	-	-	-	-	-
YS-DIESEL	Water Label	-	-	-	-	-	-	-
YS-WASTE	Waste Label	-	-	-	-	-	-	-

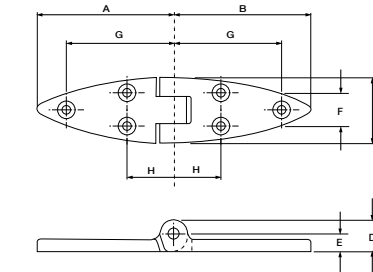
## Hinges



YS7173C



YS7174A  
YS7174B



YS7176A

Part Number	Description	A mm	A1 mm	B mm	C mm	D mm	E mm	F mm	G mm
YS7173C	Small Hatch Hinge	80	-	35	30	25	12.5	10	M6
YS7174A	Asymmetric Hinge	108	45	12	30	19	15	40	M5
YS7174B	Asymmetric Hinge	140	65	15	35	37	19	50	M6
YS7176A	Pointed Strap Hinge	125	-	15	30	50	15	22	M5

# Product Code Index

PRODUCT CODE	PAGE	PRODUCT CODE	PAGE	PRODUCT CODE	PAGE
4MMS.NEEDLE	85	A..80B	28	A.151	72
5.5MMS.NEEDLE	85	A..81	37	A.152	48
A...3	45	A..82-10	17	A.153	49
A...4	58	A..82-14	17	A.154	66
A...5	58	A..82-8	17	A.156	73
A...6	58	A..83	28	A.158	74
A...6B	58	A..84	28	A.165A	24
A...6H	58	A..85	28	A.165LZ	24
A...7	58	A..86-6	28	A.165PS	24
A...8	58	A..86-8	28	A.167ASS*10	80
A...8A	58	A..87-15	17	A.168ASS*10	80
A...9	58	A..87-20	17	A.169ASS*10	80
A...9B	58	A..87-25	17	A.171	79
A...9H	58	A..87-30	17	A.171M	79
A..14R	57	A..87-35	17	A.174	80
A..14S	57	A..87-50	17	A.178	24
A..15	58	A..89	74	A.178-74	24
A..15B	58	A..90	74	A.178-74BB	24
A..16	58	A..91	74	A.178BB	24
A..16B	58	A..92	74	A.179BBO	24
A..21	70	A..93	24	A.181	37
A..21SS	70	A..93C	24	A.182	48
A..22	84	A..93LZ	24	A.185	28
A..26-1	38	A..94	59	A.186	87
A..26-2	38	A..95	74	A.193	31
A..26-260	38	A..96	74	A.199	85
A..26-3	38	A..99B	85	A.215	28
A..26-4	38	A..99G	85	A.216	28
A..28	58	A..99LG	85	A.217	28
A..30	39	A..99RB-CAN	85	A.219	28
A..31	66	A..99W	85	A.220	28
A..38	85	A.101	72	A.221	70
A..38W	85	A.102	72	A.222	84
A..45	28	A.119	28	A.226-1	39
A..46	28	A.120	57	A.226-1000	39
A..46	28	A.122	84	A.226-2	39
A..51	72	A.124	37	A.226-222Black	39
A..52	48	A.130	37	A.226-230	39
A..54	66	A.131	66	A.226-330	39
A..56	73	A.132	61	A.226-5	39
A..59	81	A.134	49	A.232	61
A..60	83	A.134RB-CAN	49	A.237	44
A..61	43	A.135	43	A.237Black	44
A..62	83	A.136	39	A.237W	44
A..71	79	A.137	44	A.238	85
A..71M	79	A.137Black	44	A.244	73
A..71R	79	A.137W	44	A.245	62
A..74	80	A.138	85	A.246	37
A..74M	80	A.144	73	A.248	43
A..75	80	A.144B	73	A.249	75
A..76	30	A.146	37	A.251	72
A..76-496	30	A.147	60	A.252	48
A..77	30	A.148	43	A.253	45
A..77-497	30	A.150	28	A.254	80
A..80A	28	A.150-6	28	A.254W	80

PRODUCT CODE	PAGE	PRODUCT CODE	PAGE	PRODUCT CODE	PAGE	PRODUCT CODE	PAGE
A.256	73	A.390W	84	A.537Black-BAG	44	A.791SA	60
A.257	66	A.391	84	A.537W	44	A.793	31
A.258	74	A.391SC	84	A.537W-BAG	44	A.802	75
A.259	81	A.391W	84	A.538	44	A.803	75
A.271	84	A.392	84	A.543	73	A.804	75
A.278	24	A.392W	84	A.549	75	A.805	75
A.278-74	24	A.393	84	A.554	80	A.806	75
A.278-74BB	24	A.396	31	A.554W	80	A.808	75
A.278BB	24	A.397	31	A.558	74	A.810	75
A.281	37	A.402	39	A.558DW	74	A.812	75
A.282	48	A.403	39	A.559	81	A.814	75
A.282A	48	A.419L	72	A.575	73	A.816-0.9	39
A.282RB-CAN	48	A.419S	72	A.581	37	A.816-1500	39
A.289	74	A.420	70	A.588	31	A.816-3.0	39
A.290	84	A.435	43	A.593	31	A.818	75
A.290W	84	A.449	75	A.593-893	31	A.819-0.9	39
A.291	84	A.450	27	A.602	66	A.819-3.0	39
A.291W	84	A.450A	27	A.612	28	A.824	38
A.293	31	A.451	72	A.613	28	A.826-2	39
A.294	31	A.452	48	A.614	28	A.826-3	39
A.302	39	A.454	68	A.619	70	A.826-5	39
A.303	39	A.455	27	A.622	21	A.826B-1.5	39
A.315	28	A.458	74	A.625	60	A.826B-3.0	39
A.322	84	A.464	62	A.626	38	A.843	73
A.326-1	39	A.466	62	A.626-1	38	A.849	75
A.326-2	39	A.471	57	A.637	44	A.851	72
A.337	44	A.471TOP	57	A.637Black	44	A.854	80
A.337-BAG	44	A.472	62	A.637W	44	A.854W	80
A.337Black	44	A.473	63	A.638	44	A.866	80
A.337Black-BAG	44	A.473-1	63	A.643	73	A.886	73
A.337W	44	A.473-10	63	A.649	75	A.893	31
A.337W-BAG	44	A.473-5	63	A.651	72	A.916	39
A.338	44	A.473-C	63	A.654	80	A.924	38
A.343	73	A.473-S	63	A.656	38	A.932	61
A.344	73	A.478	73	A.656-UNANOD	38	A.936	39
A.345	62	A.480	59	A.658	74	A.937	39
A.346	37	A.481	37	A.659	81	A.940	39
A.349	75	A.488	31	A.676	30	A.943	73
A.351	72	A.490	59	A.676-496	30	A.946	39
A.354	80	A.493	31	A.677	30	A.958	74
A.354W	80	A.493-993	31	A.677-497	30	A.993	31
A.356	73	A.496	31	A.681	37	A1034	26
A.357	66	A.497	31	A.726-4	39	A1043	73
A.358	74	A.519	70	A.726-5	39	A1049	75
A.359	81	A.519-10	70	A.736	39	A1058	74
A.360	62	A.520	70	A.738	39	A1086	28
A.361	84	A.520-10	70	A.743	73	A1086B	28
A.363	62	A.526-1	38	A.749	75	A1086SP	28
A.378	24	A.526-2	38	A.751	72	A1086SP-B	28
A.378BB	24	A.526TA	38	A.754	80	A1158	74
A.381	37	A.535	43	A.754W	80	A1221	96
A.382	48	A.536	39	A.758	74	A1221L	96
A.386	28	A.537	44	A.762	31	A1375	27
A.389	74	A.537-BAG	44	A.781	37	A1375-A4102	27
A.390	84	A.537Black	44	A.791	60	A1376	27



PRODUCT CODE	PAGE	PRODUCT CODE	PAGE	PRODUCT CODE	PAGE	PRODUCT CODE	PAGE
A1377	27	A2025-677	8	A2040XHL-GOLD	9&14	A2151	21
A1378	27	A2026	6	A2040XHL-ORANGE	9&14	A2159	19
A1396	31	A2026M	6	A2040XHL-PURPLE	9&14	A2159	21
A1397	31	A2026-PROFIX	8	A2040XHL-SILVER	9&14	A2160	20
A1438	77	A2027	8	AA2041	14	A2160C	20
A15110	16	A2027NB	8	A2041-676	14	A2160FIDDLE	20
A158140	16	A2028	7	A2041-677	14	A2161	21
A1737	44	A2028HL	7	A2041-677HK	14	A2169	19
A1737G	44	A2029	7	A2042	14	A2169	21
A1737W	44	A2030	10	A2043	15	A2345	20
A1837	44	A2030-40	12	A2043-676	15	A2360	20
A1837G	44	A2030HL	10	A2043-677	15	A3086	28
A1837W	44	A2030LZ	11	A2044	15	A3210	56
A1886	28	A2030SC	11	A2044-676	15	A3211	56
A1923	70	A2030SHK	11	A2044-677	15	A3212	56
A1937	44	A2030Tii	10	A2045	14	A3280P	25
A1937G	44	A2030TII	16	A2046	13	A3302	41
A1937W	44	A2030XHL-BLACK	9&10	A2047	14	A3342	28
A2020	6	A2030XHL-BLUE	9&10	A2050	18	A3343	28
A2020-4036	7	A2030XHL-GOLD	9&10	A2050C	18	A3380P	25
A2020-4036	7	A2030XHL-ORANGE	9&10	A2050TII	16	A4001E	43
A2020HL	6	A2030XHL-PURPLE	9&10	A2050TII	18	A4001S	43
A2020HL-4036	6	A2030XHL-SILVER	9&10	A2052	18	A4001W	43
A2020LZ	7	A2031	11	A2053	18	A4002	61
A2020SC	7	A2031F	11	A2054	19	A4003	45
A2020SHK	7	A2031SC	11	A2054HK	19	A4003F	45
A2020Tii	6	A2032	11	A2055	19	A4003H	45
A2020TII	16	A2032TII	11	A2056	19	A4003M	45
A2020XHL-BLACK	7	A2032TII	16	A2057	19	A4003MS	45
A2020XHL-BLACK	7&9	A2033	11	A2058	19	A4004	65
A2020XHL-BLUE	7	A2034	11	A2058	21	A4009C	57
A2020XHL-BLUE	7&9	A2034-676	12	A2059	19	A4009K	57
A2020XHL-GOLD	7	A2035	11	A2060	18	A4009K-10	57
A2020XHL-GOLD	7&9	A2035-676	12	A2060C	18	A4009LZ	57
A2020XHL-ORANGE	7	A2036	11	A2062	18	A4009LZ-10	57
A2020XHL-ORANGE	7&9	A2036M	11	A2063	18	A4016	61
A2020XHL-PURPLE	7	A2036-PROFIX	12	A2064	19	A4017-23	71
A2020XHL-PURPLE	7&9	A2037	12	A2065	19	A4017-35	71
A2020XHL-SILVER	7	A2038	12	A2066	19	A4017-42	71
A2020XHL-SILVER	7&9	A2038HL	12	A2067	19	A4017-45	71
A2021	6	A2039	12	A2068	19	A4017-51	71
A2021F	7	A2039-CAM	11	A2068	21	A4017-54	71
A2021HK	7	A2039FIDDLE	11	A2069	19	A4017-60	71
A2022	7	A2040	13	A2069B	19	A4017C-38	71
A2022F	7	A2040-4222ASS	13	A2077	37	A4018-23	71
A2022LZ	8	A2040B	13	A2121	8	A4018-35	71
A2022SC	8	A2040HK	13	A2122	8	A4018-42	71
A2022Tii	7	A2040LZ	13	A2126M	8	A4018-45	71
A2022TII	16	A2040SC	13	A2131	12	A4018-51	71
A2023	8	A2040SC-676	14	A2132	12	A4018-54	71
A2023HK	8	A2040SC-677	14	A2136M	11	A4018C-38	71
A2024	8	A2040Tii	13	A2140	20	A4019	70
A2024-677	8	A2040TII	16	A2150	20	A4019S	70
A2024F	8	A2040XHL-BLACK	9&14	A2150C	20	A4020	70
A2025	8	A2040XHL-BLUE	9&14	A2150FIDDLE	20	A4020S	70

PRODUCT CODE	PAGE	PRODUCT CODE	PAGE	PRODUCT CODE	PAGE	PRODUCT CODE	PAGE
A4024	54	A4120	70	A4272	55	A4409	58
A4025	43	A4121	70	A4272-148	55	A4413	61
A4025S	43	A4124	59	A4272S	55	A4416	61
A4028	77	A4128	77	A4274	42	A4417	61
A4030	85	A4138	77	A4274-76	42	A4417L	71
A4032	61	A4141	59	A4276	46	A4417S	71
A4033	26	A4141-5	59	A4279	22	A4420	70
A4034	26	A4142-6.5	61	A4280P	25	A4428	77
A4035	47	A4146	37	A4280PSC	25	A4431	66
A4035-6	47	A4148	76	A4281PSC	25	A4450P	25
A4036	47	A4152	48	A4282	48	A4452	48
A4037	87	A4153	49	A4283	65	A4459	81
A4038	47	A4157	81	A4288	46	A4466	34
A4040	83	A4159	81	A4289	40	A4466Straight	34
A4041	59	A4160	56	A4296	23	A4471	45
A4042	61	A4165	24	A4298	68	A4472	54
A4043	83	A4165E	24	A4298TOP	68	A4474	42
A4043C	83	A4165SC	24	A4301	25	A4474-76	42
A4043-KIT	83	A4171	43	A4302	57	A4475	27
A4043N	83	A4171S	43	A4314	63	A4476	30
A4043N-1	83	A4172	54	A4314R	63	A4479	23
A4043W	83	A4178	25	A4317	70	A4488	46
A4043W-1	83	A4178E	25	A4318	71	A4489	41
A4043W-KIT	83	A4181	25	A4328	77	A4489J	41
A4048	77	A4182	48	A4331	66	A4489M	41
A4050	85	A4184	63	A4332	61	A4489SOLO	41
A4052	48	A4192	61	A4334	30	A4489Tii	41
A4057	81	A4196	23	A4348	76	A4490	42
A4066	80	A4198	68	A4354	43	A4491	42
A4068	23	A4202	57	A4369	81	A4491-1.2	42
A4069	81	A4203	61	A4371	45	A4496	23
A4073	46	A4203R	61	A4371L	45	A4498	68
A4077	30	A4216	61	A4372	54	A4501	25
A4078	25	A4222	57	A4376	46	A4502	8
A4080	25	A4225	43	A4377	46	A4512	45
A4081	25	A4228	77	A4379	22	A4527	60
A4086	28	A4229-6	71	A4379HK	22	A4528	76
A4086B	28	A4229-8	71	A4379HK-90	23	A4566	34
A4088	46	A4232	61	A4380F-HL	25	A4566Straight	34
A4089	43	A4233	62	A4380F-HLK	25	A4567	28
A4092	69	A4241	59	A4380P	25	A4568	22
A4093	25	A4244	41	A4380PSC	25	A4569	22
A4098	69	A4245	62	A4382	48	A4570	22
A4099	85	A4246	37	A4383	62	A4571	45
A4101	12	A4250P	25	A4385	62	A4572	54
A4102	57	A4250PF	25	A4386P	25	A4573	42
A4106	71	A4251	8	A4388	46	A4574	42
A4107	59	A4252	48	A4389	40	A4575	43
A4107S	59	A4258	59	A4389J	40	A4580PC	25
A4114-1	57	A4259	81	A4389M	40	A4587	42
A4114-2	57	A4260	56	A4389Tii	40	A4588	46
A4114-3	57	A4260-1	56	A4393	23	A4589CAT676	41
A4116	61	A4260-2	56	A4393HK	23	A4589CAT677	41
A4117L	71	A4264	42	A4396	23	A4589M	41
A4117S	71	A4265	24	A4401	25	A4589Tii	41

PRODUCT CODE	PAGE	PRODUCT CODE	PAGE	PRODUCT CODE	PAGE	PRODUCT CODE	PAGE
A4590	42	A4876	35	A5166FIDDLE	32	A6067	78
A4591	43	A4886	28	A5196	69	A6068	78
A4592	56	A4886-5	28	A5197	69	A6069	78
A4592E	56	A4886B	28	A5198	69	A6075	78
A4593	23	A4898	68	A5229	71	A6076	78
A4596	23	A4903	87	A5266ASS	33	A6077	78
A4599-S	61	A4904	57	A5266COMP-ASS	33	A6078	78
A4601	25	A4904LZ	57	A5404S	8	A6110	64
A4659	81	A4905	57	A5404S	76	A6112	64
A4665	31	A4929	76	A5405N	76	A6114	64
A4668	22	A4950	63	A5405S	12	A6116	64
A4669	22	A4968	8	A5405S	76	A6132	64
A4670	22	A4969	81	A5406S	76	A6134	64
A4671	45	A4972	54	A5506	67	A6136	64
A4673	45	A4978	12	A5507	67	A6138	64
A4675	31	A4978-77	35	A5512	67	A6140	64
A4679	23	A4979	23	A5514	67	A6152	64
A4686P	25	A4986-6	28	A5519	67	A6153	64
A4693	23	A4986-8	28	A5521	67	A6154	64
A4696	23	A4988	35	A5525	67	A6155	64
A4698	68	A4988X	35	A5812	68	A6156	64
A4710	8	A4993	23	A5814	68	A6157	64
A4728	76	A5005	55	A5819	68	A6166	65
A4736	39	A5006	55	A5821	68	A6167	65
A4759	81	A5014	47	A5825	68	A6168	65
A4761	31	A5014F	47	A6010	75	A6169	65
A4766	34	A5015	47	A6011	75	A6170	65
A4766Straight	34	A5015F	47	A6012	75	A6175	64
A4771	31	A5016	47	A6013	75	A6176	64
A4772	55	A5016F	47	A6014	75	A6177	64
A4772DR	55	A5052-10	49	A6020	78	A6178	64
A4772DR-KIT	55	A5052-12	49	A6021	78	A6185	65
A4772HT	55	A5052-4	49	A6022	78	A6186	65
A4772S	55	A5052-6	49	A6023	78	A6187	65
A4772S-6	55	A5052-8	49	A6024	78	A6188	65
A4772SDR-KIT	55	A5053-4	49	A6027	78	A6200	65
A4779	23	A5053-6	49	A6028	78	A6204	65
A4786-6	28	A5053-8	49	A6035	78	A6208	65
A4786-8	28	A5054-10	49	A6036	78	A-621104	77
A4791	60	A5054-12	49	A6037	78	A-621105	77
A4796	23	A5054-16	49	A6038	78	A-621106	77
A4798	68	A5054-6	49	A6039	78	A-621108	77
A4801	12	A5054-8	49	A6040	78	A-621110	77
A4828	77	A5098	69	A6045	78	A6212	65
A4840	70	A5098SADDLE	69	A6046	78	A-622104	77
A4866	35	A5105L	55	A6047	78	A-622105	77
A4866X	35	A5105S	55	A6048	78	A-622106	77
A4866XB	35	A5106L	55	A6050	47	A-622108	77
A4866XB-Angled	35	A5106S	55	A6051	47	A-623104	77
A4867	35	A5166	32	A6052	47	A-623105	77
A4869	81	A5166ASSEMBLED	32	A6060	78	A-623106	77
A4869K	81	A5166COMP	32	A6061	78	A-623108	77
A4871	45	A5166COMP-ASS	32	A6062	78	A-623110	77
A4871X	45	A5166DUAL	33	A6065	78	A-624105	77
A4872	54	A5166DUAL-ASS	33	A6066	78	A-624106	77

PRODUCT CODE	PAGE	PRODUCT CODE	PAGE	PRODUCT CODE	PAGE	PRODUCT CODE	PAGE
A-624108	77	C211M1A	36	YS7111D	89	YS813	97
A-624110	77	C211M2	36	YS7111E	89	YS8380	93
A7000	69	C211M2A	36	YS7111F	89	YS8380A	93
A7001	69	C211MK2/S2	36	YS7111G	89	YS845A	96
A7001	70	C211MK2/S2AN	36	YS7112D	90	YS846A	96
A7002-1.0	69	C217M1	36	YS7112E	90	YS850	97
A7002-1.1	69	C217M1A	36	YS7115A	89	YS851	97
A7002-1.2	69	C218M1	36	YS7115B	89	YS852A	96
A7002-1.3	69	C218M1A	36	YS7115C	89	YS863A	93
A731705	81	C218M2	36	YS7116B	90	YS863C	93
A731705-E	81	C222	36	YS7116C	90	YS869A	90
A731706	81	C222A	36	YS7116D	90	YS872A	94
A731706-E	81	C230	36	YS7117A	92	YS872C	94
A731707	81	C236A	36	YS7117B	92	YS-FUEL	97
A731707-E	81	C253	36	YS7117C	92	YS-WASTE	97
A731708	81	C253A	36	YS7119D	92	YS-WATER	97
A731708-E	81	C257	36	YS7120A	92	YS-DIESEL	97
A731709	81	C270A	36	YS7120B	92		
A731709-E	81	F630L	55	YS7120C	92		
A731710	81	KEYBALLHARNESS-RAD-L	82	YS7120D	92		
A731710-E	81	KEYBALLHARNESS-RAD-M	82	YS7120E	92		
A7420	69	KEYBALLHARNESS-RAD-S	82	YS7120F	92		
A8331	86	KEYBALLHARNESS-SKIFF-L	82	YS7121C	93		
A8332	86	KEYBALLHARNESS-SKIFF-M	82	YS7121D	93		
A8606	16	KEYBALLHARNESS-SKIFF-S	82	YS7121E	93		
A8608	16	KEYBALLHARNESS-SKIFF-XL82		YS7125A	96		
A8612	16	MS7272	66	YS7134P	91		
A8616	16	S034L	85	YS7138A	91		
A8639-10	17	SA..94	59	YS7138B	91		
A8639-6	17	SA.312	61	YS7141A	96		
A8639-8	17	SA.873	61	YS7141B	96		
A8739-10	17	YS47-20	95	YS7148A	94		
A8739-6	17	YS47H	95	YS7149A	94		
A8739-8	17	YS47H-GWA/B	95	YS7157A	95		
A-BAG-KIT	44	YS47K-GWA/B	95	YS7157B	95		
AFCP512	55	YS7106A	88	YS7164C	90		
AFCP515	55	YS7106B	88	YS7165A	95		
AFCP518	55	YS7107A	88	YS7165B	95		
AFCP521	55	YS7107B	88	YS7165C	95		
AFCP525	55	YS7107C	88	YS7167A	91		
AFCP59	55	YS7107D	88	YS7167B	91		
AFCP621	55	YS7107E	88	YS7167C	91		
AFPP266	55	YS7107F	88	YS7173C	97		
AFPP266B	55	YS7109A	89	YS7174A	97		
AFPP266C	55	YS7109B	89	YS7174B	97		
ARBALL1/4D	87	YS7109C	89	YS7176A	97		
ARBALL1/4T	87	YS7109D	89	YS7180A	90		
ARBALL5T	87	YS7109E	89	YS7180B	90		
ASP2158L	87	YS7110A	89	YS7180C	90		
ASP2158R	87	YS7110B	89	YS7181DP	91		
ASP2224L	87	YS7110C	89	YS7181P	91		
ASP2224R	87	YS7110D	89	YS7181SP	91		
AT-FINNBOOM	66	YS7111A	89	YS800A	93		
C203	36	YS7111B	89	YS801A	93		
C211M1	36	YS7111C	89	YS812	97		

NOTES



BLOCKS

CLEATS &  
JAMMERS

TRACK &  
KEELBAND

DECK & HULL  
FITTINGS

SPARS &  
RIGGING

RUDDER STOCKS  
& ACCESSORIES

SAILMAKERS  
HARDWARE

SHACKLES

ACCESSORIES

YACHT & KEELBOAT  
FITTINGS



[www.allenbrothers.co.uk](http://www.allenbrothers.co.uk)

 [AllenBrothersSailing](https://www.facebook.com/AllenBrothersSailing)

 [@allen\\_sailing](https://twitter.com/allen_sailing)

 [@allen\\_sailing](https://www.instagram.com/allen_sailing)

 [sales@allenbrothers.co.uk](mailto:sales@allenbrothers.co.uk)