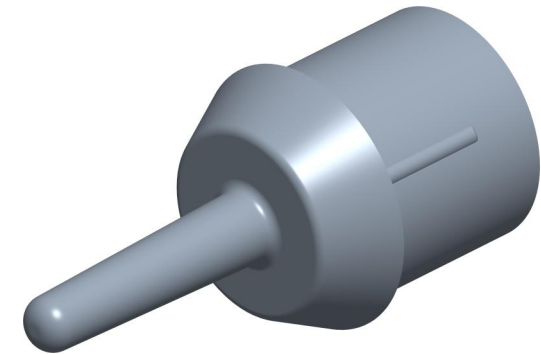
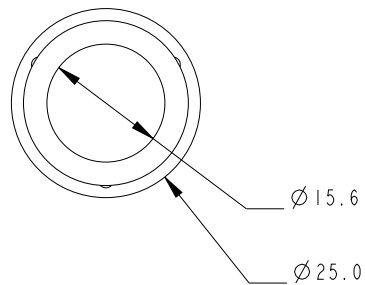


SCALE 1:1



Specification				
Fixing Hole Diameter mm	Fixing Hole Centres mm	To Suit Spa Diameter mm	Length mm	Weight g
-	-	22	52	8

**DIMENSIONS FOR REFERENCE ONLY**  
 allenbrothers.co.uk  
 +44(0)1621 772477

Title	Description
<b>A--54-REF</b>	<b>Jib Stick Spike</b>