



V3

Performance Hardware





The Allen brothers Tony and Glenn started their business with a vision of performance sailing hardware driven by innovation and technology. The first products they produced for their own race boats were such an improvement on everything then in use, customers demanded they set up production to meet the market.

Those principles still hold true and the company has grown in the past 60 plus years to become a major exporter, selling high-performance sailing hardware to the World. This concentration on design meant tooling often had to be produced in-house and the vast majority of research, design, prototyping, tooling and production still takes place at the Allen factory in Southminster, Essex, UK.

We have invested heavily in Computer Aided Design and Manufacturing and were one of the early adopters of 3D printing for rapid prototyping in 2010. In 2018, we updated our Vertical Machining Centres and invested in new production planning software to improve output and customer service. This gives Allen the ability to match the high quality/low production volume demands of boat builders, both in catalogue and custom products, so Allen is the choice of sailboat builders as well as being a leading supplier to the aftermarket. Much of the inspiration for products comes from our elite sailors, Team Allen, Members of the British and many European Sailing Teams, especially in the high-performance classes such as the 49er and Nacra 17 foiling catamaran, have long associations with the business and their feedback and knowledge are invaluable in driving the next generation of innovative sailing products.

CONTENTS

BLOCKS	6	CLEATS & JAMMERS	33	SPARS & RIGGING	58
20mm Dynamic Blocks	7	Cam Cleats	34	Rigging Screws	68
Plain Bearing Blocks	10	Cam Cleat Accessories	35	Wire Stud Terminals	68
XHL Extreme High Load Blocks	12	Mainsheet Jammers	36	Wire Eye Terminals	68
High Load Blocks	13	Swivel Cleats	38	Wire Fork Terminals	69
30mm Dynamic Blocks	14	Clamcleats®	40	Wire 'T' Terminals	69
40mm Dynamic Blocks	17	Mast & Deck Cleats	41	Eye Bolts	69
50mm Dynamic Blocks	20	Jam Cleats	41	Rig Spanner	69
60mm Dynamic Blocks	20	V Cleats	41	Boom's & Levers	70
Tii Blocks	22	Pump Action Cleat	41	Boom Slides	70
Tii Shackles	22			Spinnaker Pole & Accessories	70
Dog Bones	22	TRACK & KEELBAND	42		
High Load Thimbles	23	Mast Tracks	42	RUDDER STOCKS & ACCESSORIES	71
Pad-Tii	23	Track for Travellers	43	Tiller Extensions - Carbon	71
Ratchet Blocks	24	Track End Stops	43	Tiller Extensions - Blue Carbon	72
Wire Blocks	26	Keelbands	43	Tiller Extensions - Aluminium	72
Classic Blocks	28		43	Tiller Extensions - Aluminium	72
V Cleat Blocks	28	DECK & HULL FITTINGS	44	Tiller Extension Universal Joints	73
Light Weight Plain Bearing Blocks	29	Traveller Cars	44	Rudder Stocks And Tillers	73
Stainless Steel Springs	30	Self Tacking Jib System	46	Transom Plates, Pintles & Gudgeons	74
Stanchion Mounted Blocks	30	Sliding Fairleads & Sheet Lead	46	Rudder Retaining Equipment	74
Snatch Blocks	31	Track Slides	46	Rudder Wing Nuts	75
Sheaves	32	Bow & Shroud Plates	47	Rudder Pintles & Gudgeons	75
		Snatch Fairleads & Lacing Hooks	47		
		Hatch Covers	47	SAILMAKERS HARDWARE	76
		U Bolts	48	Sail Headboards	76
		Anchor Plates	49	Batten Hardware	77
		Lacing Eyes & Eye Straps	49	Jib Hanks	77
		Fairleads	50	Luff & Cunningham Blocks	77
		Self Bailers	52	Sail Track Slides & Slugs	78
		Drain Sockets & Bungs	54	Sail Ring	79
		Self Tapping Nuts	54	Sail Shackles	79
		Deck Bushes	55	Thimbles	79
		Aluminium Deck Bushes	55		
		Pad-Tii	56	SHACKLES	80
			57	Forged Shackles	80
				Pressed Shackles	80
				Round Body Shackles	81
		SPARS & RIGGING	58	Strip Shackles	82
		Stay & Vernier Adjusters	58	Tii-Shackles	82
		Fast Pins & Reaching Hooks	59		
		Clevis Pins & Split Rings	59	ACCESSORIES	83
		Dynamic Rig Adjustment Kits	60	Aerovane Wind Indicators	83
		Highfield Levers	60	Burgees	84
		Furling Gear & Swivels	61	Inglefield Clips	84
		Gooseneck Sleeves	61	Tidy Clips	84
		Goosenecks	61	Nylon Hooks	85
		Sheave Boxes	62	Stainless Steel Hooks	85
		Mast Head Sheave Boxes	63	Trapeze Harness	86
		Mast Gates & Step	63	Keyball Trapeze Equipment	87
		Mast Tangs	63	Trapeze Hardware	87
		Boom Slides	70	Ball Stoppers	88
		Spreader Hardware	64	Boat Hook	88
		Mast Brackets & Boom Straps	65	Rowlocks & Sockets	88
		Halyard Exit Plates	66	Toe Strap Plates & Buckles	89
		Halyard Hook Racks	66	Splicing Kit	89
		Muscle Box	66	Race Packs	90
		Mast & Tube Plugs	66	Spare & Replacement Parts	91
		Mast Deck Chocks	67		
		Mast Base Organiser	67	PRODUCT CODE INDEX	92
		Mirror Dinghy Mast Fittings	67		

Allen Brothers Ltd
Hallmark Industrial Estate
Southminster
Essex CM0 7EH
United Kingdom
T +44 (0)1621 774689
F +44 (0)1621 773872
E sales@allenbrothers.co.uk

Please note
Photographs and illustrations are not to scale unless specified.
Graphic Design
tracy@tasdesign.co.uk
Product Photography
andy@andyrosephotography.co.uk

Allen products are warranted to be of merchantable quality and fit for the purpose for which they are sold. In addition, Allen products are guaranteed for life against defects in workmanship, subject to reasonable use. We will replace products which are found to have failed through manufacturing and raw material defects. The parts must have been fitted in accordance with our technical instructions, where present, and in any event following the professional guidance of our stockist or representative. No cash alternative or damages arising out of any failure will be met. While we take every reasonable effort to ensure the accuracy of specifications published in the Allen catalogue, website and marketing materials, no liability will be accepted for errors and omissions. In the unlikely event of a claim, please return the part to Allen Brothers with a description of the circumstances. Your statutory rights are not affected.

BLOCKS

CLEATS & JAMMERS

TRACK & KEELBAND

DECK & HULL FITTINGS

SPARS & RIGGING

RUDDER STOCKS & ACCESSORIES

SAILMAKERS HARDWARE

SHACKLES

ACCESSORIES

PRODUCT CODE INDEX



Innovative Design and Engineering Solutions for Manufacturers.

Here at Allen, we are much more than just marine hardware specialists. We are engineering experts and work with a wide variety of companies in different sectors, such as; medical equipment, automotive parts, window manufacturing, public and defence sector, theatre, advertising, aviation and much more.

We are able to do this due to the multiplicity of in-house resources. Our close-knit team of engineers and designers work to deliver premium solutions for custom or mass-production jobs, and as an ISO9001 accredited business, we are capable of mass manufacturing high-quality products as well as ensuring a high level of craftsmanship is carried out on all custom items.

As a British, family-owned business, we ensure 100% of our products are designed, manufactured and assembled in-house at our factory in Essex. All our materials, where possible, are sourced from within the UK. We also guarantee a competitive and fair price for any job we undertake.

If you have any custom requirements, big or small, marine or non-marine, don't hesitate to get in touch to see how we can solve your problems.

Allen In-house resources include:

Design & CAD modelling – using advanced PTC Creo CAD software our design team can quickly develop new ideas and designs into computer models, which can be structurally assessed with our Ansys computer simulated stress analysis software. Prototype models can be seen within hours using our Dimension 3D part printer.

Tool making - finished designs are seamlessly progressed through the tool making stages using the parametric features of PTC Creo tool design and NC machining software. Our toolmakers can produce single or multi-impession tools for injection moulding, sheet metal pierce and blank tools, secondary operation form tools, assembly jigs and fixtures.

Component parts - our factory is equipped to manufacture a diverse range of parts. So we can be particularly flexible in the production of short-run specialist parts, and low to medium volume quantities.

CNC injection moulding - we are experts in the use of advanced engineering polymers and composites such as carbon fibre filled acetals and nylons.

CNC turned parts - our 5 axis sliding head lathes produce high precision parts in all materials.

CNC sheet metal forming – Our presses produce pierced and blanked parts, with secondary forming.

CNC milled parts – 2 HAAS 3-axis vertical milling centres allow us to make precision milled parts in a range of material from marine grade 6082 aluminium to Brass & Acetal.

Fabrication - our versatile and skilled workforce can provide fully assembled products, using a range of techniques such as welding, drilling, riveting, threaded fasteners, adhesives, pad-printing and packing.

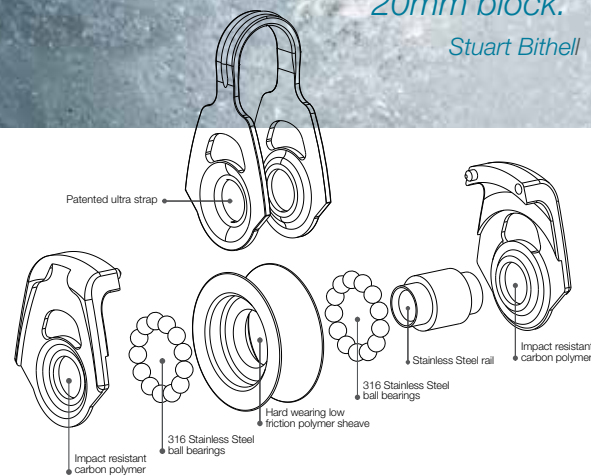
Sales and distribution - Our efficient and dedicated sales team is ready to take your orders and will endeavour to dispatch all orders received before 3 pm on the same day, if in stock. Worldwide distribution can be arranged by our export manager.





"You can't go wrong with the A2020. Its reliable and smooth, by far my favourite 20mm block."
Stuart Bithell

Diego Botin & Iago Marra – Credit Lloyd Images



20mm Dynamic Blocks

20mm Dynamic Blocks featuring the patented Allen Dynamic bearing system which provides an unrivalled weight to performance ratio. This is coupled with our high strength and rope friendly stainless steel ultra-strap; making them amongst the strongest and most reliable ball bearing blocks on the market. The range is available with different types of accessories including lacing eyes, hooks, swivels and cleats. The range also features a central rivet that provides great options as a tie on becket. You'll find a 20mm block to suit most control line applications.



Part	Description	Length mm	Max Line Dia. mm	Shackle Pin mm	Breaking Load kg	MWL kg	Weight g	Sheave Dia. mm	Fixing Hole Centres mm
A2020	Single	37	6	-	540	115	10	-	-
A2020HL	Single High Load	37	6	-	540	250	17.5	20	-
A2020HL-4036	Single High Load With Lacing Eye	52	6	-	540	250	21	20	-
A2020TII	Single Tii-On	29	6	-	540	115	8	-	-
A2021	Single Multi Function	35	6	-	350	115	11.5	-	-
A2026	Single Cheek	45	6	4	350	115	15.3	-	-
A2026M	Single Composite Cheek	33	6	-	540	115	12	-	18

Blocks

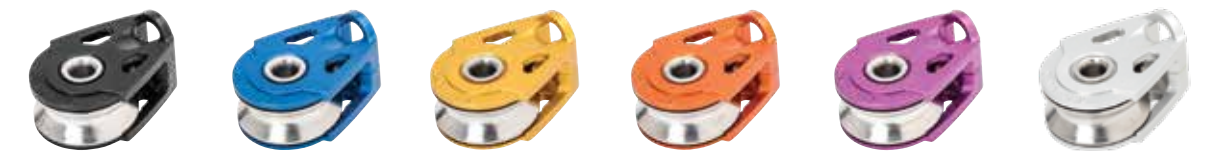
Key for load rating tables

Maximum Working Load (MWL)

The maximum load that the block will endure with repeated sheave movement

Breaking Load

The load at which a major block failure is likely to occur



Part	Description	Length mm	Max Line Dia. mm	Breaking Load kg	MWL kg	Weight g
A2020XHL-BLACK	Extreme High Load Black	29	6	900	400	17
A2020XHL-BLUE	Extreme High Load Blue	29	6	900	400	17
A2020XHL-GOLD	Extreme High Load Gold	29	6	900	400	17
A2020XHL-ORANGE	Extreme High Load Orange	29	6	900	400	17
A2020XHL-PURPLE	Extreme High Load Purple	29	6	900	400	17
A2020XHL-SILVER	Extreme High Load Silver	29	6	900	400	17



Part	Description	Length mm	Max Line Dia. mm	Shackle Pin mm	Breaking Load kg	MWL kg	Weight g	Fixing Hole Centres mm
A2020SHK	Single With Swivel Hook	58	6	-	350	115	19	-
A2021HK	Single With Fixed Hook	65	6	-	165	115	17.5	-
A2020-4035	Single With P-Clip	60	6	5	540	115	15	-
A2020-4036	Single With Offset Lacing Eye	52	6	-	540	115	15	15
A2020SC	Single With Swivel Head	49	6	4	350	115	15.4	-
A2021SC	Shackle Swivel Head	49	6	4	350	115	15.4	-
A2021F	Single Fork Head	48	6	4	350	115	15.2	-
A2020LZ	Stand-Up Fixed	43	6	-	540	115	15.4	27



Part	Description	Length mm	Max Line Dia. mm	Shackle Pin mm	Breaking Load kg	MWL kg	Weight g	Sheave Dia. mm
A2028	Back To Back	52	6	-	540	115	20	-
A2028HL	Back To Back High Load	52	6	-	540	300	32	20
A2029	Linked Singles	70	6	-	540	115	21.8	-



Part	Description	Length mm	Max Line Dia. mm	Shackle Pin mm	Breaking Load kg	MWL kg	Weight g	Sheave Dia. mm
A2022	Double	48	6	-	600	225	31.6	-
A2022HL	Double High Load	48	6	-	600	325	42	20
A2022Tii	Tii-On Double	29	6	-	600	225	15.6	-
A2022F	Double Fork Block	51	6	5	600	225	15.5	-



Part	Description	Length mm	Max Line Dia. mm	Shackle Pin mm	Breaking Load kg	MWL kg	Weight g	Fixing Hole Centres mm
A2023	Double With Becket	59	6	-	600	225	33.5	-
A2022LZ	Double Stand Up Fixed	53	6	-	600	225	34	28
A2022SC	Double With Swivel	56	6	4	350	225	35	-
A2023HK	Double With Becket And Hook	110	6	-	600	225	60.2	-
A2126M	Double Composite Cheek	33	6	-	540	225	23	18
A5849	Deck Mounting Plate With 2 A2021F	51	6	4	350	115	50	25



Part	Description	Length mm	Max Line Dia. mm	Shackle Pin mm	Breaking Load kg	MWL kg	Weight g	Fixing Hole Centres mm
A2024	Triple	50	6	-	650	320	47.9	-
A2024HL	Triple High Load	50	6	-	650	400	63	20
A2024F	Triple With Fork	51	6	5	650	320	48	-
A2025	Triple With Becket	66	6	-	650	320	52.9	-



Part	Description	Length mm	Max Line Dia. mm	Shackle Pin mm	Breaking Load kg	MWL kg	Weight g
A2024-677	Triple With Inverted Cleat	55	6	-	650	320	86.9
A2025-677	Triple, Inverted Cleat & Becket	66	6	-	650	320	86.9
A2027	Triple, Cleat & Becket	75	6	-	650	320	86.9
A2027NB	Triple With Extended Cleat	75	6	-	650	320	98



Part	Description	Length mm	Max Line Dia. mm	Shackle Pin mm	Breaking Load kg	MWL kg	Weight g	Fixing Hole Centres mm
A2121	Single Through Deck	54	6	-	350	105	10.80	42
A2122	Double Through Deck	60	6	-	350	105	20	64
A2123	Flip Flop Block	-	5	-	350	105	19	16
A4251	Single Through Deck	32	6	-	400	105	30	25 x 24
A4502	Stand Up Single	32	6	-	350	105	22	27 x 19
A4505	Double Upstand Block	32	6	-	350	105	94	27 x 19
A4710	Lightweight Stand Up Single	34	6	-	350	105	19	26
A4968	Flip Flop	30	6	-	350	105	19	16
A2026-PROFIX	Cheek Adaptor For A2021	-	-	-	-	-	3.8	-
A5404S	Shackle Head For A2021	15	-	4	780	-	4.4	-

New Plain Bearing Blocks

available in 20 & 30mm



We are pleased to announce a new range of plain bearing blocks, using modern design, materials and state of the art manufacturing to ensure a more eco-friendly product, delivering enhanced performance.

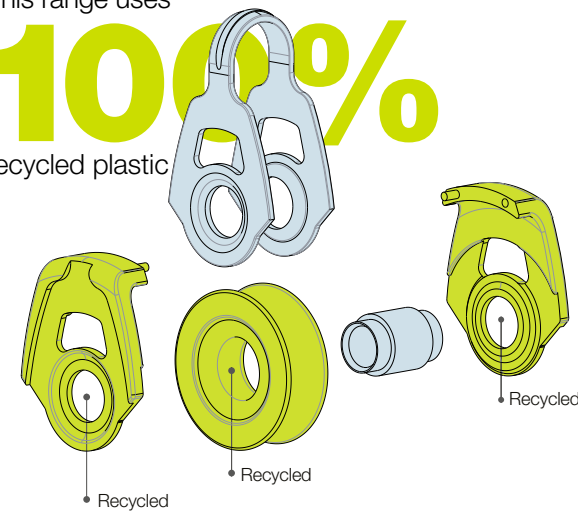
The new range will be made using 100% recycled plastics as well as using 20% less material than the previous version. Using the outer cheek and strap from the 20 and 30mm dynamic range allows us to manufacture the new range of plain bearing blocks more efficiently. This will help to reduce the long-term impact of plastics and un-recyclable materials on the environment.

The new range of plain bearing blocks will also feature a grey sheave to differentiate them from the existing dynamic range, which has black sheaves. Plain bearing blocks offer great static loading capabilities at a low weight and cost. This makes them perfect for take-up systems or applications that don't require high dynamic performance.

This range uses

100%

recycled plastic



Part	Description	Length mm	Max Line Dia. mm	Breaking Load kg	Weight g	Sheave Dia. mm	Fixing Hole Centres mm
20mm A2020P	Single	37	6	540	10	20	-
A2020P-4035	Single With P-Clip	62.4	6	540	13.9	20	-
A2020P-4036	Single With Lacing	52	6	540	13.9	20	15
A2026P	Single Cheek	45	6	350	14.2	20	-
A2020PSC	Single With Swivel	53	6	350	18	20	-
A2020PSHK	Single With Swivel	57.7	6	350	17.9	20	-
A2020PTii	Tii-On	29	6	540	-	20	-
A2021P	Single Multi-Function Single	35	6	350	10.4	20	-
A2021PHK	Single With Hook	65.5	6	165	16.4	20	-
A2022P	Double	47.6	6	500	29.4	20	-
A2023P	Double With Becket	25	6	500	31.2	20	-
A2024P	Triple	50.1	6	650	44.6	20	-
A2025P	Triple With Becket	66	6	650	49.6	20	-
A2020PLZ	Single Stand Up Fixed	43	6	540	14.3	20	27
A2121P	Through Deck Single	54	6	400	10.8	20	-
30mm A2030P	Single	49	8	750	23	30	-
A2030PF	Single With Fork Head and Removable Pin	56	8	600	28	30	-
A2030PF-873	Single With Fork Head and Vang Key	77	8	600	37	30	-
A2036P	Single Cheek	58.7	8	500	32	30	-
A2030PSC	Single With Swivel	66.3	8	600	33	30	-
A2030PSHK	Single With Swivel Hook	70.4	8	450	32	30	-
A2031P	Single Multi-Function	46.6	8	750	25	30	-
A2032P	Double	64	8	1250	66	30	-
A2033P	Double With Becket	76	8	1250	71	30	-
A2034P	Triple	62.6	8	1750	94	30	-
A2035P	Triple With Becket	82.5	8	1750	105	30	-
A2030PLZ	Single Stand Up Fixed	59	8	500	27.2	30	-

Extreme High Load Blocks

The Allen XHL range has been designed to deal with extremely high loads without compromising on low load dynamic performance. By combining the Allen patented dynamic bearing technology with CNC machined aluminium side cheeks and a precision turned stainless steel sheave, we have created a block range that can take a static load of up to 1500Kg. Perfect for use in vang cascades or halyard turning points where loads can be extremely high.

High Load Blocks

High Load Blocks fit between the standard dynamic range and the XHL range. The blocks feature a stainless-steel sheave which runs on a double race of stainless-steel ball bearings. By utilising a stainless-steel sheave with a slight V shape profile, the Allen High Load range offers the ability to be paired with both wire and Dyneema®. This design also reduces deformation of the sheave under high static loads. These combinations result in less friction, higher working loads, better performance and durability over the acetal sheave Dynamic Block range.



"The A2030XHL, its indestructible!" Chris Rashley

20mm

Part	Description	Length mm	Max Line Dia. mm	Breaking Load kg	MWL kg	Weight g
A2020XHL-BLACK	Extreme High Load Black	29	6	900	400	17
A2020XHL-BLUE	Extreme High Load Blue	29	6	900	400	17
A2020XHL-GOLD	Extreme High Load Gold	29	6	900	400	17
A2020XHL-ORANGE	Extreme High Load Orange	29	6	900	400	17
A2020XHL-PURPLE	Extreme High Load Purple	29	6	900	400	17
A2020XHL-SILVER	Extreme High Load Silver	29	6	900	400	17

30mm

Part	Description	Length mm	Max Line Dia. mm	Breaking Load kg	MWL kg	Weight g
A2030XHL-BLACK	Extreme High Load Black	43	8	1250	500	41
A2030XHL-BLUE	Extreme High Load Blue	43	8	1250	500	41
A2030XHL-GOLD	Extreme High Load Gold	43	8	1250	500	41
A2030XHL-ORANGE	Extreme High Load Orange	43	8	1250	500	41
A2030XHL-PURPLE	Extreme High Load Purple	43	8	1250	500	41
A2030XHL-SILVER	Extreme High Load Silver	43	8	1250	500	41

40mm

Part	Description	Length mm	Max Line Dia. mm	Breaking Load kg	MWL kg	Weight g
A2040XHL-BLACK	Extreme High Load Black	54	9	1500	650	71
A2040XHL-BLUE	Extreme High Load Blue	54	9	1500	650	71
A2040XHL-GOLD	Extreme High Load Gold	54	9	1500	650	71
A2040XHL-ORANGE	Extreme High Load Orange	54	9	1500	650	71
A2040XHL-PURPLE	Extreme High Load Purple	54	9	1500	650	71
A2040XHL-SILVER	Extreme High Load Silver	54	9	1500	650	71

20mm

Part	Description	Length mm	Max Line Dia. mm	Shackle Pin mm	Breaking Load kg	MWL kg	Weight g	Sheave Dia. mm
A2020HL	Single High Load	37	6	-	540	250	17.5	20
A2020HL-4036	Single High Load With Lacing Eye	52	6	-	540	250	21	20
A2022HL	Double High Load	48	6	-	600	325	42	20
A2024HL	Triple High Load	50	6	-	650	400	63	20
A2028HL	Back To Back High Load	52	6	-	540	300	32	20

30mm

Part	Description	Length mm	Max Line Dia. mm	Shackle Pin mm	Breaking Load kg	MWL kg	Weight g	Sheave Dia. mm
A2030HL	Single High Load	49	8	-	800	300	39	30
A2030HLF	Single Fork Head With High Load Sheave	56	8	5	750	300	43	30
A2030TiiHL	Single Tii-On High Load	41	8	-	800	300	37	30
A2032HL	Double High Load Sheave	63	8	-	1250	450	87	30
A2034HL	Triple High Load	63	8	-	1750	650	132	30
A2038HL	Back To Back High Load	78	8	-	750	600	76	30

30mm Dynamic Blocks

Allen 30mm Dynamic Blocks use the same high quality dynamic bearing, materials and precision engineering as our 20mm Dynamic Block range. Our high strength and rope friendly stainless steel ultra-strap makes them amongst the strongest and most reliable ball bearing blocks in their class. The range is available with different types of accessories including lacing eyes, hooks, swivels and cleats. The range also features a central rivet that provides great options as a tie on becket. You'll find a 30mm block to suit most control line applications.

30MM BLOCKS



A2030
*"Perfect for the 49er mainsheet system,
 I wouldn't use anything else"*
 Dylan Fletcher

Dylan Fletcher & Stu Bithell - 49er

30mm



Part	Description	Length mm	Max Line Dia. mm	Breaking Load kg	MWL kg	Weight g
A2030XHL-BLACK	Extreme High Load Black	43	8	1250	500	41
A2030XHL-BLUE	Extreme High Load Blue	43	8	1250	500	41
A2030XHL-GOLD	Extreme High Load Gold	43	8	1250	500	41
A2030XHL-ORANGE	Extreme High Load Orange	43	8	1250	500	41
A2030XHL-PURPLE	Extreme High Load Purple	43	8	1250	500	41
A2030XHL-SILVER	Extreme High Load Silver	43	8	1250	500	41

See the full range of colours on page 7



Part	Description	Length mm	Max Line Dia. mm	Shackle Pin mm	Breaking Load kg	MWL kg	Weight g
A2030	Single	49	8	-	750	140	26
A2030F	Single Fork Head With Removable Pin	56	8	5	450	140	31
A2030F-873	Single Fork Head With Kicker Key	77	8	5	450	140	40
A2030HL	Single High Load	49	8	-	800	300	39
A2030Tii	Single Tii-On	42	8	-	750	140	24
A2030HLF	Single Fork Head With High Load Sheave	56	8	5	750	300	43
A2030TiiHL	Single Tii-On High Load	41	8	-	800	300	37



Part	Description	Length mm	Max Line Dia. mm	Shackle Pin mm	Breaking Load kg	MWL kg	Weight g	Hole Centres mm
A2031	Single Multi Function	47	8	4	500	140	28	-
A2036	Cheek Block	59	8	4	500	140	35	-
A2036M	Composite Cheek	50	8	-	400	140	24	30
A2030SC	Swivel Block	66	8	4	450	140	36	-
A2031F	Single Fork Head	59	8	4	450	140	36	-
A2031SC	Single Swivel Fork	63	8	4	400	140	37	-
A2031XHL-873	Extreme High Load Block With A.873	57	8	-	1000	500	55	-



Part	Description	Length mm	Max Line Dia. mm	Shackle Pin mm	Breaking Load kg	MWL kg	Weight g	Hole Centres mm
A2030SHK	Single With Swivel Hook	70	8	-	450	140	35	-
A2030LZ	Stand-Up Fixed	59	8	-	500	140	30.2	34
A2039FIDDLE	Single With Fiddle	85	8	4	600	140	47	-
A2039-CAM	Single With Fiddle And Cleat	88	8	4	600	140	86.2	-
A2032	Double	63	8	-	1250	280	72	-
A2032HL	Double High Load Sheave	63	8	-	1250	450	87	-



Part	Description	Length mm	Max Line Dia. mm	Breaking Load kg	MWL kg	Weight g	Hole Centres mm
A2032Tii	Double Tii-On	42	8	1250	280	48	-
A2033	Double With Becket	76	8	1250	280	77	-
A2136M	Double Composite Cheek	50	8	400	280	36.6	-
A2034	Triple	63	8	1750	490	103	-
A2034HL	Triple High Load	63	8	1750	650	132	-
A2035	Triple With Becket	83	8	1750	420	114	-



Part	Description	Length mm	Max Line Dia. mm	Shackle Pin mm	Breaking Load kg	MWL kg	Weight g
A2034-676	Triple With Inverted Cleat	65	8	-	1750	490	49
A2035-676	Triple, Becket And Inverted Cleat	83	8	-	1750	490	146
A2037	Triple, Cleat & Becket	83	8	-	1750	490	146
A2038	Back To Back	78	8	-	750	140	49
A2038HL	Back To Back High Load	78	8	-	750	600	76
A2039	Linked A2030 Blocks	94	8	-	750	140	52



Part	Description	Length mm	Max Line Dia. mm	Shackle Pin mm	Breaking Load kg	MWL kg	Weight g	Hole Centres mm
A2030-40	Linked 30 & 40 Blocks	110	8/10	-	750	140	63	-
A2131	Single Through Deck	47	8	-	500	140	25.6	60
A2132	Double Through Deck	77	8	-	500	140	45	90
A2133	Flip Flop Block	-	8	-	700	140	53	20
A2133-677	Flip Flop Block With A.677 Cleat	-	8	-	700	140	119	20
A2133-77	Flip Flop Block With A..77 Cleat	-	8	-	700	140	128	20



Part	Description	Length mm	Max Line Dia. mm	Shackle Pin mm	Breaking Load kg	MWL kg	Weight g	Hole Centres mm
A4101	Upstand Block	45	8	-	850	140	57	25
A4111	Double Upstand Block	45	8	-	850	140	46	47 x 25
A4801	Through Deck Block	45	8	-	700	140	39	25
A2036-PROFIX	Cheek Adaptor For A2031	-	-	-	-	-	3.8	-
A5405S	Shackle Head For A2031	19	-	5	1250	-	9	-

40mm Dynamic Blocks

Allen 40mm Dynamic Blocks are built using a light weight composite cheek with a rope friendly, light weight stainless steel anchor strap and patented Allen dynamic bearing system. The range features a large central hole, which provides great options for tie-on becketts and is available with a variety of accessories, making it the suitable choice for demanding applications. These include dinghy mainsheets, jib and spinnaker sheeting systems as well as keelboat control lines.

40mm



Ben Saxton - RS200 - Credit: Ben Harden

40MM BLOCKS



Part	Description	Length mm	Max Line Dia. mm	Shackle Pin mm	Breaking Load kg	MWL kg	Weight g	Hole Centres mm
A2040	Single	64	10	-	800	180	36.4	-
A2040B	Removable Bolt Block	64	10	-	800	180	37.2	-
A2040HK	Single With Hook	110	10	-	500	180	68	-
A2040SC	Swivel	73	10	4	800	180	46.5	-
A2040Tii	Tii-On Single	58	10	-	800	180	34.5	-
A2046	Cheek	62	10	-	800	180	33.0	35
A2040-4222ASS	Single With Swivel Plate And Spring	78	10	-	800	180	69	-
A2040LZ	Single With Lacing Eye And Spring	77.5	10	-	800	180	45	34



Part	Description	Length mm	Max Line Dia. mm	Breaking Load kg	MWL kg	Weight g
A2042	Double	84	10	1350	320	89.0
A2045	Triple	84	10	1350	320	129
A2054B	Triple With Becket	84	10	1350	320	149
A2047	Quad	84	10	1350	320	165



Part	Description	Length mm	Max Line Dia. mm	Breaking Load kg	MWL kg	Weight g
A2040XHL-BLACK	Extreme High Load Black	54	9	1500	650	71
A2040XHL-BLUE	Extreme High Load Blue	54	9	1500	650	71
A2040XHL-GOLD	Extreme High Load Gold	54	9	1500	650	71
A2040XHL-ORANGE	Extreme High Load Orange	54	9	1500	650	71
A2040XHL-PURPLE	Extreme High Load Purple	54	9	1500	650	71
A2040XHL-SILVER	Extreme High Load Silver	54	9	1500	650	71

40mm



Diam 24 © Steve Holloway



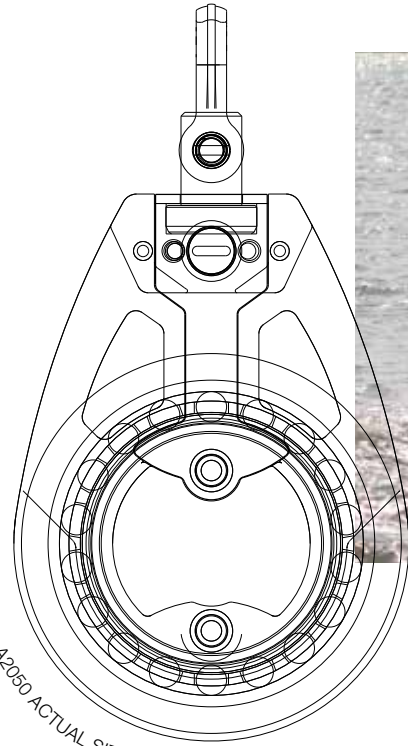
Part	Description	Length mm	Max Line Dia. mm	Shackle Pin mm	Breaking Load kg	MWL kg	Weight g
A2040SC-676	Single With Swivel And A.676 Cam Cleat	73	10	4	800	180	142
A2040SC-677	Single With Swivel And A.677 Cam Cleat	73	6	4	800	180	107
A2041	Single With Swivel And 20mm Fiddle Block	100	10	4	800	180	86
A2041-676	Single With Swivel, 20mm Fiddle Block And A.676	100	10	4	800	180	140
A2041-677	Single With Swivel, 20mm Fiddle Block And A.677	100	6	4	800	180	128
A2041-677HK	Single With Swivel, Fiddle Block, A.677 And Hook	100	6	4	500	180	140



Part	Description	Length mm	Max Line Dia. mm	Shackle Pin mm	Breaking Load kg	MWL kg	Weight g
A2043	Single With Swivel And Becket	100	10	4	800	180	79
A2043-676	Single With Swivel, Becket And A.676	100	10	4	800	180	157
A2043-677	Single With Swivel, Becket And A.677	100	6	4	800	180	152
A2044	Single With Swivel, 20mm Fiddle Block And Becket	122	10	4	800	180	100
A2044-676	Single With Swivel, Fiddle Block, Becket And A.676	122	10	4	800	180	152
A2044-677	Single With Swivel, Fiddle Block, Becket And A.677	122	6	4	800	180	147
A2044-677HK	Single With Swivel, Fiddle Block, Becket A.677 And Hook	122	6	-	800	180	167

50 & 60mm Dynamic Blocks

Allen 50mm Dynamic Blocks utilise our patented Dynamic bearing technology, the high quality stainless steel ball bearings running on stainless steel rails provides unsurpassed performance under load. The large central hole for tie-on becket requirements gives this block range a distinctive style and significant weight reduction and is available with a variety of accessories. Suitable for numerous demanding applications on boats, including Catamarans and Keelboats, the multi blocks provides great free running performance under load.



Team Provezza - Petticrows Dragon - Credit: Paul Manning

Key for load rating tables

Maximum Working Load (MWL)

The maximum load that the block will endure with repeated sheave movement

Breaking Load

The load at which a major block failure is likely to occur



Part	Description	Length mm	Max Line Dia. mm	Shackle Pin mm	Breaking Load kg	MWL kg	Weight g	Hole Centres mm	Sheave Dia. mm
A2050 A2060	Single	95	10	4	900	300	73	-	50
A2050Tii A2060Tii	Single Tii-On	72	10	-	900	300	61	-	50
A2050C A2060C	Single Cheek Block	96	10	-	900	300	80	51	50
A2052	Double	100	10	4	950	450	148	-	50
A2062	Double	130	12	5	1250	600	255	-	60
A2053	Double With Becket	136	10	4	950	450	160	-	50
A2063	Double With Becket	148	12	5	1250	600	271	-	60



A2058
A2068 A2159
A2169

Part	Description	Length mm	Max Line Dia. mm	Shackle Pin mm	Breaking Load kg	MWL kg	Weight g	Sheave Dia. mm
A2058	Triple With Ratchet And Adjustable Cleat	120	10	4	950	470	394	50
A2068	Triple With Ratchet And Adjustable Cleat	148	12	5	1250	600	535	60
A2159	Quint With Ratchet And Adjustable Cleat	136	10	5	950	470	503	50
A2169	Quint With Ratchet & Adjustable Cleat	148	12	6	1250	600	749	60



A2054
A2064 A2054HK A2055
A2065

Part	Description	Length mm	Max Line Dia. mm	Shackle Pin mm	Breaking Load kg	MWL kg	Weight g	Sheave Dia. mm
A2054	Triple	100	10	4	950	470	190	50
A2064	Triple	130	12	5	1250	600	353	60
A2054HK	Triple With Hook	140	10	4	950	470	227	50
A2055	Triple With Becket	136	10	4	950	470	223	50
A2065	Triple With Becket	148	12	5	1250	600	397	60

A2054
"strong, reliable and super smooth!"
Jake Cookson



Part	Description	Length mm	Max Line Dia. mm	Shackle Pin mm	Breaking Load kg	MWL kg	Weight g	Sheave Dia. mm
A2056 A2066	Quad	100	10	5	950	470	269	50
A2066	Quad	130	12	5	1250	600	443	60
A2057	Quad With Becket	136	10	5	950	470	274	50
A2067	Quad With Becket	148	12	5	1250	600	456	60
A2059	Quint	100	10	5	950	470	323	50
A2069	Quint	130	12	6	1250	600	549	60
A2069B	Quint With Becket	150	12	6	1250	600	555	60

Tii-On Blocks

Our Tii-On Blocks feature a stainless steel loop at the head of the block. This gives our range maximum strength and reliability with minimal cheek separation when tied on and loaded up with a soft shackle. The stainless steel head loop also ensures the block stays in the right orientation when being used.



Part	Description	Length mm	Max Line Dia. mm	Breaking Load kg	MWL kg	Weight g
A2020Tii	Single Tii-On	29	6	540	115	8
A2022Tii	Double Tii-On	29	6	600	225	15.6
A2030Tii	Single Tii-On	42	8	750	140	24
A2032Tii	Double Tii-On	42	8	1250	280	48
A2040Tii	Single Tii-On	58	10	800	180	34.5
A2050Tii	Single Tii-On	72	10	900	300	61
A2060Tii	Single Tii-On	84	10	1400	700	91

Tii-Shackles

Tii shackles are made by Marlow in the UK and feature an adjustable loop to make attachment quick and easy. This simple and easy attachment system will save weight and give you more options for attaching blocks. Perfectly designed for use with our Tii-On blocks and Pad-Tii ranges.



Part Number	Description	Length mm	Diameter mm	Breaking Load kg	Weight kg/100m	For Use With
A15110	Tii-Shackle	110	1.5	360	0.18	20 & 30mm Tii Blocks
A18140	Tii-Shackle	140	1.8	455	0.24	40 & 50mm Tii Blocks

To see the full range go to page 82

Dog Bones

Allen Dog Bones can be used in a variety of applications. Ideal for use with soft shackles as rope stops. CNC machined from aluminium our Dog Bones are extremely hard wearing. Add a bit of colour to your boat with the Allen Dog Bones. Available in 6 colours. Black, Blue, Gold, Silver, Purple and Orange



Part Number	Description	Length mm	Maximum Outside Diameter mm	Minimum Outside Diameter mm	Rope Diameter mm	*Safe Working Load kg	*Breaking Load kg	Weight g
A8606	Dogbone	24	6	4	2 - 4	350	600	1
A8608	Dogbone	32	8	6	4 - 5	600	1100	3
A8612	Dogbone	40	12	7	5 - 6	1400	2500	7
A8616	Dogbone	48	16	8	6 - 8	2000	3500	14

*Estimated Loads

High Load Thimbles

Thimbles are a great alternative to blocks when there is a need for high static load capabilities. Our high load thimbles come coated in Teflon to help reduce friction. Machined from aluminium and anodised in a choice of 6 colours, black, blue, silver, purple, gold and orange. Also available in stainless steel.



A..82-8
A..82-10
A..82-14



A..87-15 A..87-20 A..87-25 A..87-30 A..87-35 A..87-50 A..87-75 A..87-90

Part Number	Description	Inside Diameter mm	Depth mm	Maximum Working Load kg	Weight g
A..87-15	Aluminium Thimble	6	6	300	1
A..87-20	Aluminium Thimble	8	8	400	2
A..87-25	Aluminium Thimble	10	10	800	5
A..87-30	Aluminium Thimble	12	12	1000	7
A..87-35	Aluminium Thimble	15	14	1500	11
A..87-50	Aluminium Thimble	20	21	2000	40
A..87-75	Aluminium Thimble	28	31	2500	154
A..87-90	Aluminium Thimble	28	39	3000	289
A..82-8	Stainless Steel Thimble	8	5	150	0.5
A..82-10	Stainless Steel Thimble	9	6	250	2
A..82-14	Stainless Steel Thimble	14	8	300	1.5



Pad-Tii

Our range of aluminium through deck bush and threaded through deck bushes have been well received by the industry so we have decided to continue with the development. To find out more information turn to page 53.



A8639-6
A8639-8
A8639-10
A8739-6
A8739-8
A8739-10
A8739-18

A8839
A8939

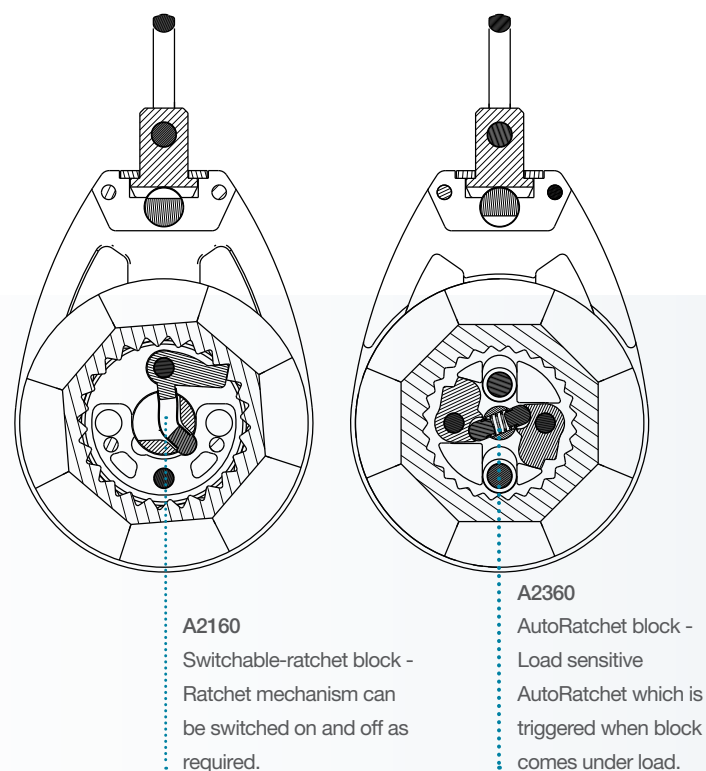
Part Number	Description	Fixing Hole Centres mm	Fixing Hole Depth Maximum mm	Fixing Hole Depth Minimum mm	Fixing Hole Diameter mm	Outside Diameter mm	Breaking Load kg	Maximum Working Load kg	Weight g
A8639-6	Pad-Tii	13	8	6	12.8	19	350	250	21
A8639-8	Pad-Tii	13	10	8	12.8	19	350	250	21
A8639-10	Pad-Tii	13	12	10	12.8	19	350	250	21
A8739-6	Pad-Tii	17	8	6	16	24	400	300	7
A8739-8	Pad-Tii	17	10	8	16	24	400	300	7
A8739-10	Pad-Tii	17	12	10	16	24	400	300	7
A8739-18	Pad-Tii	17	20	18	16	24	400	300	10
A8839	Pad-Tii With Fixed Tii Bar	13	10	4.5	12.8	19	350	250	8
A8939	Pad-Tii With Fixed Tii Bar	17	10	4.5	16	24	575	350	10

AutoRatchet

The Allen AutoRatchet Blocks were the first of their kind on the market some 30 years ago. Years of constant development, with the World's top sailors, has led us to the release of our X2 AutoRatchets. The new "X2" pawl system which incorporates two pawls into the mechanism ensures that the load is evenly shared between both pawls, this means that the block can withstand higher working loads while also increasing both the reliability and longevity. It also features the patented swivel head lock system which can be fixed in position, allowing for more setup options.

Switchable Ratchet

Allen Switchable Ratchet Blocks can easily be switched on or off, even under load. The patented swivel head lock system can be fixed in position, allowing for more setup options. The sheave design gives high grip under load while allowing easy release when required.



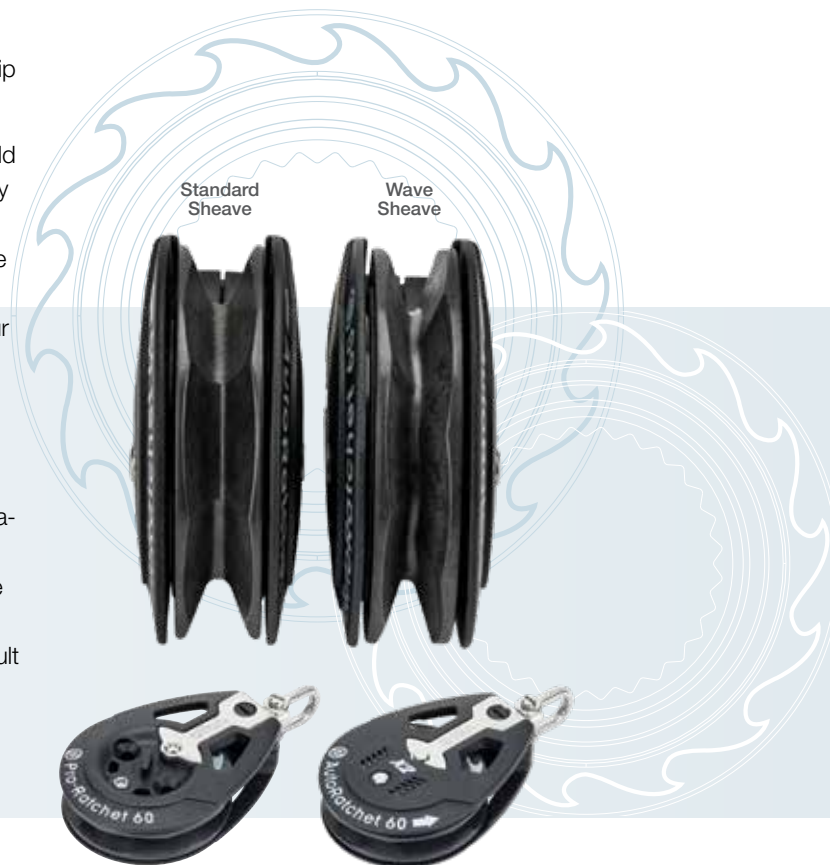
Wave Ratchet

The NEW wave ratchet offers 20 to 40%* more grip without adding any additional wear to the rope.

The most effective way to increase friction is to add sharp edges to the ratchet sheave, but this quickly deteriorates and wears away the rope. So, after working alongside leading rope manufacturers the Allen design team came up with a simple solution which improves grip without chewing away at your expensive rope.

The Wave Ratchet sheave has an offset V style grip, made from a hard-wearing recycled plastic nylon, which does not have sharp edges that will eat into the rope. Instead, by adjusting the V formation in the sheave to be slightly offset, the ratchet now grips the rope at additional points around the sheave, resulting in more grip. However, the new Wave Ratchet not only improves grip but as a result of the design it also allows for a less 'jumpy' feel when easing the sheets.

*Depends on the type of rope in use with the sheave.



A2160WAVE

A2360WAVE

Part	Description	Sheave Dia. mm	Length mm	Max Line Dia. mm	Shackle Pin mm	Breaking Load kg	Trigger Load kg	MWL kg	Weight g
A2160WAVE	Pro-Ratchet With Wave Sheave	60	110	12	5	1000	-	275	110
A2360WAVE	X2 Wave AutoRatchet	60	110	12	5	1000	10	275	139



A2345
"Perfect for our kite sheets. Turns on and off exactly when you want it to."
Fynn Sterritt

Part	Description	Sheave Dia. mm	Length mm	Max Line Dia. mm	Shackle Pin mm	Breaking Load kg	Trigger Load kg	MWL kg	Weight g
A2140	Pro-Ratchet 40	40	78	6	4	475	-	120	40
A2345	X2 AutoRatchet	45	90	8	4	280	10	140	56
A2150	Pro-Ratchet 50	50	95	10	4	700	-	200	64.5
A2150C	Pro-Ratchet 50 With Cheek Adaptor	50	92	10	4	700	-	200	80
A2150FIDDLE	Pro-Ratchet 50 With Fiddle	50	126	10	4	700	-	200	80
A2160	Pro-Ratchet 60	60	110	12	5	1000	-	275	110
A2160C	Pro-Ratchet 60 With Cheek Adaptor	60	108	12	5	1000	-	275	139
A2160FIDDLE	Pro-Ratchet 60 With Fiddle	60	150	12	5	1000	-	275	139
A2360	X2 AutoRatchet	60	110	12	5	1000	10	275	110



A2169 & A2069
"The Quint mainsheet system is really, really smooth"
Laura Marimon

Part	Description	Sheave Dia. mm	Length mm	Max Line Dia. mm	Shackle Pin mm	Breaking Load kg	MWL kg	Weight g
A2151	Pro-Ratchet With Becket & Cleat	50	136	10	4	700	200	64.6
A2058	Triple With Switchable Ratchet & Adjustable Cleat	50	120	10	4	950	470	394
A2159	Quint With Switchable Ratchet, Becket & Cleat	50	136	10	4	700	200	503
A2161	Single Switchable Ratchet With Becket & Cleat	60	127	12	5	1000	275	333
A2068	Triple With Switchable Ratchet, Becket & Cleat	60	145	12	5	1250	600	535
A2169	Quint With Switchable Ratchet, Becket & Cleat	60	148	12	6	1000	600	750
A.622	Spring Guard For Ratchets	-	-	-	-	-	-	2.5

Wire Blocks

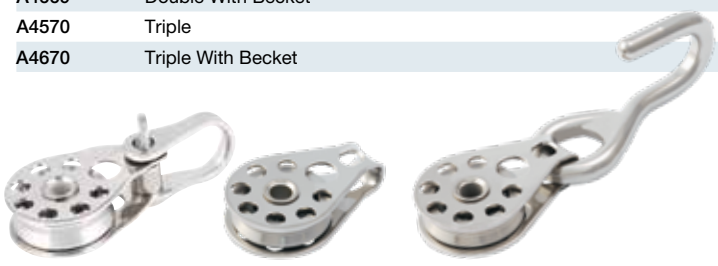
Specifically intended for use where wire lines are subjected to low rotational high loads. The range uses stainless-steel side cheeks to give maximum strength in the smallest form possible and a single row of spaced stainless-steel ball bearings in the sheave. Available with different accessories including hooks, becket, swivels and shackles giving a whole range of choice to suit the application.



Part	Description	Sheave Dia. mm	Length mm	Max Line Dia. mm	Shackle Pin mm	Breaking Load kg	Weight g
A4379HK-90	Single With 90 Degree Hook	25	90	2 - 6	-	500	81
A4393	Single Fixed Head With Becket	25	59	2 - 5	5	750	31
A4393HK	Single Fixed Head And Becket With Hook	25	103	2 - 5	-	750	81
A4479	Single With Shackle	25	58	2 - 5	5	750	33
A4993	Single Clevis Pin Head	25	43	2 - 5	5	750	31
AB1342	Brass Sheaved Plain Bearing	20	37	6	-	540	-
A4679	Double Fixed Head	25	57	2 - 5	5	750	54
A4779	Double Fixed Head With Becket	25	70	2 - 5	5	750	60
A4593	Triple Fixed Head	25	57	2 - 5	5	750	78
A4693	Triple Fixed Head With Becket	25	70	2 - 5	5	750	84
A4979	Quad Fixed Head	25	51	2 - 5	5	750	89



Part	Description	Sheave Diameter mm	Length mm	Max Line Dia. mm	Shackle Pin mm	Breaking Load kg	Weight g
A4568	Single	16	29	2 - 4	4	400	11
A4668	Single With Becket	16	50	4	4	400	40
A4569	Double	16	40	2 - 4	4	400	25
A4669	Double With Becket	16	50	2 - 4	4	400	26
A4570	Triple	16	40	2 - 4	4	400	36
A4670	Triple With Becket	16	50	2 - 4	4	400	38



Part	Description	Sheave Diameter mm	Length mm	Max Line Dia. mm	Shackle Pin mm	Breaking Load kg	Weight g
A4279	Single Flared Cheek	25	41	2 - 7	5	750	44
A4379	Single Fixed Head	25	41	2 - 5	5	750	25
A4379HK	Single With Hook	25	105	2 - 6	-	500	81



Part	Description	Sheave Dia. mm	Length mm	Max Line Dia. mm	Shackle Pin mm	Breaking Load kg	Weight g
A4196	Single Fixed Head	38	62	2 - 6	5	1000	71
A4296	Single With Shackle	38	74	2 - 6	5	1000	80
A4396	Single Fixed Head With Becket	38	80	2 - 6	5	1000	84
A4496	Double Fixed Head	38	74	2 - 6	5	1000	141
A4596	Double Fixed Head With Becket	38	93	2 - 6	5	1000	150
A4696	Triple Fixed Head	38	74	2 - 6	5	1000	195
A4796	Triple Fixed Head With Becket	38	93	2 - 6	5	1000	208
A4068	Optimist Sprit	16	55	2 - 4	4	400	20

Classic Dinghy Blocks

Manufactured from nylon and available with either a plain bearing system or ball bearing system. Originally used for the Laser® class mainsheet system they have also become the block of choice for many other dinghy mainsheet systems. Available in a black, grey and blue



Part	Description	Sheave Dia. mm	Length mm	Max Line Dia. mm	Breaking Load kg	MWL kg	Weight g
A.178 A.178BB	Single Plain Bearing	25	48	8	250	140	13
A.178-74 A.178-74BB	Single Plain Bearing With Inglefield Clip	25	69	8	250	140	23
A.278 A.278BB	Single Plain Bearing	38	67	10	300	155	36
A.278-74 A.278-74BB	Single Plain Bearing With Inglefield Clip	38	86	10	300	155	45
A.378 A.378BB	Single Plain Bearing With Becket	38	86	10	300	155	38
A.179BBO	Linked Singles Nylon Ball Bearing Blocks	28	98	8	250	150	30



Dylan Fletcher – International Moth – credit: James Tomlinson

V Cleat Blocks

Simple yet effective choice for many vang and cunningham setups. Available in stainless steel or die-cast aluminium and with different fixing accessories giving choices to suit most applications.



Part	Description	Sheave Dia. mm	Length mm	Max Line Dia. mm	Shackle Pin mm	Breaking Load kg	MWL kg	Weight g
A..93	Plain Bearing Single Sheave With Becket	26	79	6	5	620	310	39
A..93LZ	Plain Bearing Single Sheave With Becket & Key	26	86	6	5	620	310	40
A.165A	V Cleat With Double Sheave & Curved Key	26	100	2 - 6	5	620	310	62
A.165LZ	V Cleat With Double Sheave & Becket	26	93	2 - 6	5	620	310	61
A.165PS	V Cleat With Double Sheave & Straight Key	26	100	2 - 6	5	620	310	62
A4165	V Cleat With Double Sheave	26	72.8	2 - 6	5	450	250	38
A4165SC	V Cleat With Double Sheave & Swivel	26	100	2 - 6	5	450	250	59
A4165E	V Cleat With Double Sheave & Hook	26	104.5	2 - 6	-	450	250	63
A4265	V Cleat With Single Sheave & Becket	26	61	2 - 6	5	450	250	33

Lightweight Plain Bearing Blocks

Featuring 316 stainless steel sides and a variety of sheave material options and sizes. They provide a great budget solution to low movement applications that just need a simple yet attractive block.






Part	Description	Sheave Dia. mm	Length mm	Max Line Dia. mm	To Suit Shackle Pin mm	Breaking Load kg	Weight g
A4078	Single With Acetal Sheave	16	26	5	4	275	5
A4080	Single With Brass Sheave	16	26	5	4	275	10
A4081	Double With Acetal Sheave	16	30	5	4	275	10
A4181	Cheek With Acetal Sheave	16	30	5	4	275	6
A4093	Single With Becket And Acetal Sheave	25	54	8	5	400	23
A4178	Single With Acetal Sheave	25	41	8	5	400	13
A4178E	Single With Hook And Acetal Sheave	25	72	8	-	400	39
A4501	Through Deck Single With Acetal Sheave	16	16	5	-	275	7
A4601	Through Deck Single With Brass Sheave	16	16	5	-	275	13
A4301	Through Deck Double With Acetal Sheave	16	38	5	-	275	15
A4401	Through Deck Double With Brass Sheave	16	38	5	-	275	27

Springs Stainless Steel

Our stainless steel springs are designed to be paired with our range of dynamic blocks. Available as a firm, soft or conical design to give the block the desired stand up stance you require.

Part	Description	Height mm	Inside Dia. mm	Outside Dia. mm	Weight g	Wire Diameter mm
A1034	Firm Stainless Steel	43.7	21.4	25.4	10	2
A4033	Soft Stainless Steel	43.2	22.6	25.4	16	1.4
A4034	Cone Shaped Stainless Steel	25	13.7	23.2	2	1.2

Below is a chart that shows the compatibility between the different styles of springs and block ranges.

	Lacing eye	20mm range	30mm range	40mm range	50mm range	60mm range	A2345 ratchet	A2140 ratchet	A2150 ratchet	A4621 ratchet	A2160 ratchet	A2360 ratchet	A4093	A4178	27mm range	38mm range
	A4073		✓	✓	✓	✓	✓	✓	✓	✓	✓	✓	✓	✓	✓	✓
	A4388		✓	✓	✓	✓	✓	✓	✓	✓	✓	✓	✓	✓	✓	✓
	A4488		✓	✓	✓	✓	✓	✓	✓	✓	✓	✓	✓	✓	✓	✓
	A5015		✓	✓	✓	✓	✓	✓	✓	✓	✓	✓	✓	✓	✓	✓
	A5015F		✓	✓	✓	✓	✓	✓	✓	✓	✓	✓	✓	✓	✓	✓
	A6050		✓	✓	✓	✓	✓	✓	✓	✓	✓	✓	✓	✓	✓	✓
	A6051		✓	✓	✓	✓	✓	✓	✓	✓	✓	✓	✓	✓	✓	✓
	A4073		✓	✓	✓	✓	✓	✓	✓	✓	✓	✓	✓	✓	✓	✓
	A4088		✓	✓	✓	✓	✓	✓	✓	✓	✓	✓	✓	✓	✓	✓
	A4388		✓	✓	✓	✓	✓	✓	✓	✓	✓	✓	✓	✓	✓	✓
	A4488		✓	✓	✓	✓	✓	✓	✓	✓	✓	✓	✓	✓	✓	✓
	A5015		✓	✓	✓	✓	✓	✓	✓	✓	✓	✓	✓	✓	✓	✓
	A5015F		✓	✓	✓	✓	✓	✓	✓	✓	✓	✓	✓	✓	✓	✓
	A5016		✓	✓	✓	✓	✓	✓	✓	✓	✓	✓	✓	✓	✓	✓
	A5016F		✓	✓	✓	✓	✓	✓	✓	✓	✓	✓	✓	✓	✓	✓
	A6050		✓	✓	✓	✓	✓	✓	✓	✓	✓	✓	✓	✓	✓	✓
	A6051		✓	✓	✓	✓	✓	✓	✓	✓	✓	✓	✓	✓	✓	✓
	A4073	✓	✓	✓			✓	✓						✓		
	A4288	✓	✓	✓			✓	✓						✓		
	A4388	✓	✓	✓			✓	✓						✓		
	A5014	✓	✓	✓			✓	✓						✓		
A4034	A5014F	✓	✓	✓			✓	✓					✓			
	A5015	✓	✓	✓			✓	✓					✓			
	A5015F	✓	✓	✓			✓	✓					✓			
	A6050	✓	✓	✓			✓	✓					✓			
	A6051	✓	✓	✓			✓	✓					✓			

Stanchion Mounted Blocks

An inexpensive yet brilliantly simple solution for leading lines from the foredeck back to the cockpit



Part Number	Description	Length mm	Line Diameter mm	Bracket Diameter mm	Maximum Working Load kg	Breaking Load kg	Weight g
A.450	Stanchion Mounted Plain Bearing Block	94	14	25	200	280	69
A.450A	Stanchion Mounted Block With Removable Pin	94	14	25	200	280	69
A.455	Stanchion Mounted Fairlead With Stainless Bush	60	14	25	200	280	43



Jake Cookson - Land Yacht - Credit: Mike Griffin

Snatch Blocks

Allen Snatch Blocks feature the same dynamic bearing technology as our 30 and 40mm dynamic ranges. Our snatch blocks have an easy to use mechanism for opening and closing the cheeks making them the perfect choice for any application where attaching and releasing from control lines is important.



A1375 A1375-4102 A1375-S A1376













A1377 A1378 A4475

Part	Description	Length mm	Max Line Dia. mm	Breaking Load kg	MWL kg	Sheave Dia. mm	Weight g
A1375	Snatch Block	76	6 - 10	700	200	40	95
A1375-A4102	Snatch Block With Swivel	76	6 - 10	700	200	40	95
A1375-S	Snatch Block With Additional Small Sheave	80	10	700	200	40 & 16	93.5
A1376	Snatch Block With Snap Shackle	76	6 - 10	700	180	40	203
A1377	Snatch Block With No Keeper Mechanism	76	6 - 10	700	200	40	94
A1378	Back To Back Snatch Blocks With Swivel	76	6 - 10	700	140	40	373
A4475	Snatch Block	53	5 - 6	350	140	30	28

Sheaves

Made from acetal resin, aluminium or stainless steel and featuring either stainless steel ball bearings or plain bearings, our sheaves come in a wide range of sizes and configurations to suit all applications. Ideal for replacing old or worn parts or building a custom fitting yourself. Breaking loads are very dependant on the axle fitting used.

	Part Number	Description	Diameter mm	Width mm	Bore mm	Weight g	Breaking Load Kg	Colour
	A3342	High Load SS Sheave With Double Row Ball Bearing	20	11	4.5	12	540	-
	A3342XHL	XHL Cassette	20	11	4.5	11.2	900	-
	A3343	High Load SS Sheave With Double Row Ball Bearing	30	13	7.5	26	800	-
	A4567	High Load SS Sheave With Single Row Ball Bearing	16	5	3.5	5	400	-
	A4986-6	High Load SS Sheave With Single Row Ball Bearing	25	6	8	17	750	-
	A4986-8	High Load SS Sheave With Single Row Ball Bearing	25	8	8.4	19	750	-
	A4786-6	High Load SS Sheave With Single Row Ball Bearing	38	6	8	51	1000	-
	A4786-8	High Load SS Sheave With Single Row Ball Bearing	38	8	8	55	1000	-
	A4886	Acetal Sheave With Double Row Ball Bearing	20	7	3	3	540	Grey
	A4886-5	Acetal Sheave With Double Row Ball Bearing	20	7	5	3	540	-
	A4886B	Acetal Sheave With Double Row Ball Bearing	20	7	3	3	540	Black
	A4086	Acetal Sheave With Double Row Ball Bearing	27	10	4.4	7	700	Grey
	A4086B	Acetal Sheave With Double Row Ball Bearing	27	10	4.4	7	700	Black
	A3086	Acetal Sheave With Double Row Ball Bearing	38	12	5	16	800	Grey
	A1086	Acetal Sheave With Double Row Ball Bearing	40	14	6	26	700	Grey
	A1086B	Acetal Sheave With Double Row Ball Bearing	40	14	6	26	700	Black
	A1086SP	Acetal Sheave With Double Row Ball Bearing	40	14	8	27	700	Grey
	A1086SP-B	Acetal Sheave With Double Row Ball Bearing	40	14	8	27	700	Black
	A1886	Acetal Sheave With Double Row Ball Bearing	52	15	6.5	46	800	Grey
		A..45	Acetal Sheave	15	6	6	0.5	-
A..86-6		Acetal Sheave	25	6	8	2	-	-
A..86-8		Acetal Sheave	26	8	8	2.5	-	-
A.220		Acetal Sheave	27	6	9	2	-	-
A..85		Acetal Sheave	36	6	8	5	-	-
A.150		Acetal Sheave	38	8	8	7	-	-
A.150-6		Acetal Sheave	38	6	8	7	-	-
A.119		Acetal Sheave	50	8	8	10	-	-
A.386		Nylon Cheek Block	27	8	75	9	-	-
A.612		Acetal Sheave	20	7	6	1	-	-
A.613		Acetal Sheave	27	10	8	2	-	-
A.614		Acetal Sheave	38	12	8	8	-	-
	A..80A	Acetal Sheave Wide	27	18	10	4	-	-
	A..80B	Acetal Sheave Wide	27	18	8	4	-	-
	A.215	Acetal Sheave	38	12	8	9	-	-
	A.216	Acetal Sheave	50	13	8	14	-	-
	A.217	Acetal Sheave	74	13	9	26	-	-
	A.219	Acetal Sheave	62	13	7.8	20	-	-
	A..84	Aluminium Sheave	28	8	9	10	-	-
	A.185	Aluminium Sheave	38	6	8	14	-	-
	A..83	Aluminium Sheave	38	8	8	20	-	-
	A.315	Aluminium Sheave	38	12	8	30	-	-
	A..46	Brass Sheave	16	6	6	6.5	-	-

Cleats and Jammers

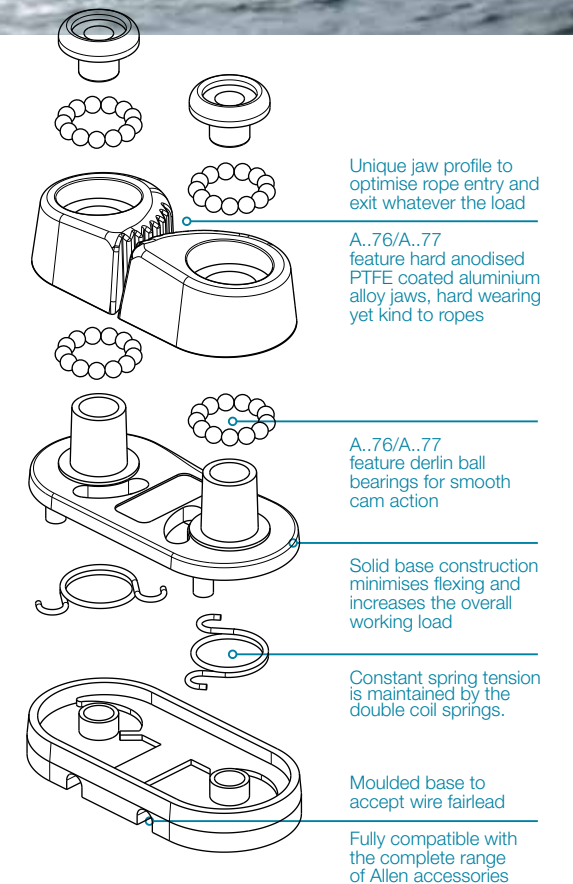


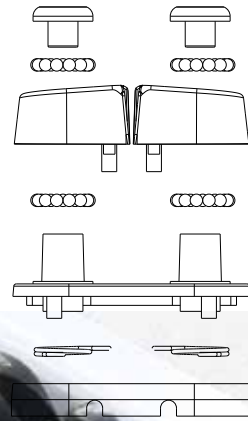
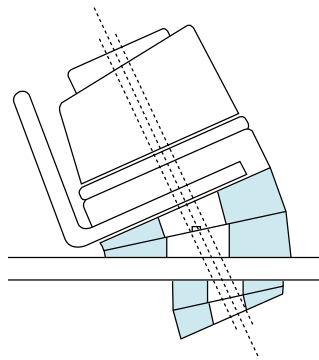
Stuart Bithell & Chris Taylor – International Moth - credit: James Tomlinson

Cam Cleats

Allen cam cleats have had more than 50 years of meticulous R&D to perfect their design. Available in either Alloy or Allenite* the jaw profile optimizes rope entry and exit for smooth cleating and uncleating, whilst double coil springs and ball bearing technology give consistent cam action. The addition of the ultra-prolead with wire reinforcement enhances cleating angles for superior performance and longevity. For hardwearing applications you can't beat the alloy series cam cleat for strength and durability while minimising line wear.

**Allenite is a proprietary material developed by Allen specifically for high wear resistance, low weight and good heat dissipation. Ideal for lighter loaded and for less frequently used applications and where weight saving is a premium over the alloy range.*





A..77-497 on Petticrows Dragon



Part	Description	Line Size mm	Fixing Hole Centres mm	Height mm	Weight g	Fixing Hole Size mm	MWL kg
A..76	Ball Bearing Cam Cleat - Medium	4 - 10	38	29	63	5	150
A..77	Ball Bearing Cam Cleat - Small	2 - 6	28	22	29	4	100
A..76-496	Ball Bearing Cam Cleat With Mega Pro Lead - Medium	4 - 10	38	48	103	5	150
A..77-497	Ball Bearing Cam Cleat With Mega Pro Lead - Small	2 - 6	28	39	50	4	100
A.676	Allenite Cam Cleat - Medium	4 - 10	38	29	34	5	130
A.677	Allenite Cam Cleat - Small	2 - 6	28	22	22	4	80
A.676-496	Allenite Cam Cleat With Mega Pro Lead - Medium	4 - 10	38	48	74	5	130
A.677-497	Allenite Cam Cleat With Mega Pro Lead - Small	2 - 6	28	39	45	4	100
A4077	Stainless Steel Base Cam Cleat - Medium	4 - 12	38	18	34	5	60
A4476	Stainless Steel Base Cam Cleat - Small	2 - 6	26	10	16	4	40
A4334	Fairlead With A.676 Cam Cleat	4 - 10	-	-	96	5	130
A5848	Laser Control Line Cleats With Base	2 - 6	67	56	141.9	5	100
A5861	Laser Lower Vang Unit	2 - 6	-	82	201.5-	5	-

Cam Cleat Accessories

Allen Cam Cleat Accessories are available to make sure you get the most from your Allen Cam Cleat. There is a range of cleat lifters, wedges and fairleads to ensure that the rope running through your cam cleat is as efficient as possible.



Part	Description	Fixing Hole Centres mm	Use With	Weight g
A.496 A.497	Mega Pro-Lead Medium Mega Pro-Lead Small	38 28	A.676/A..76 A.677/A..77	40 40
A.396 A.397	Pro-Lead Medium Pro-Lead Small	38 28	A.676/A..76 A.677/A..77	35 35
A.488 A.588	Fairlead Small Fairlead Medium	28 38	A.67/A..77 A.676/A..76	2 5
A1396 A1397	Pro-Lead Wedge Medium Pro-Lead Wedge Small	38 28	A.676/A..76 A.677/A..77	95 95
A.597	Mainsheet Roller	38	A..76	97



Part	Description	Fixing Hole Centres mm	Use With	Weight g
A4665 A4675	Stainless Steel Wire Under Fairlead Small Stainless Steel Wire Under Fairlead Medium	- -	A.677/A..77 A.676/A..76	6 12
A.193 A.293	Cleat Lifter 15mm High Cleat Lifter 22mm High	28 38	A.677/A..77 A.676/A..76	11 21
A.194 A.294	Cleat Lifter 8mm Cleat Lifter 10mm High	28 38	A.677 / A..77 A.676/A..76	6 13
A4761 A4771	Through Deck Fairlead Medium Through Deck Fairlead Small	38 28	A.676/A..76 A.677/A..77	49 22
A.493-993 A.593-893	Wedge Kit Small Wedge Kit Medium	28 38	A.677/A..77 A.676/A..76	7 12
A.993 A.893	Cam Cleat Wedge Small Cam Cleat Wedge Medium	28 38	A.677/A..77 A.676/A..76	291 4
A.493 A.593	Under Deck Cam Cleat Wedge Small Under Deck Cam Cleat Wedge Medium	28 38	A.677/A..77 A.676/A..76	- -
A.762	Backing Plate	38	A..76 / A.676	-
A.793	Cam Cleat Wedge	26	A4476	3

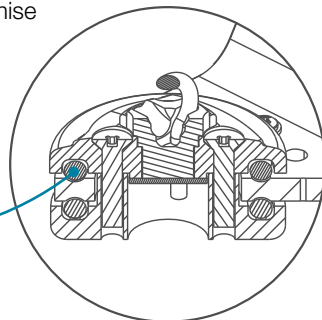


A5166FIDDLE

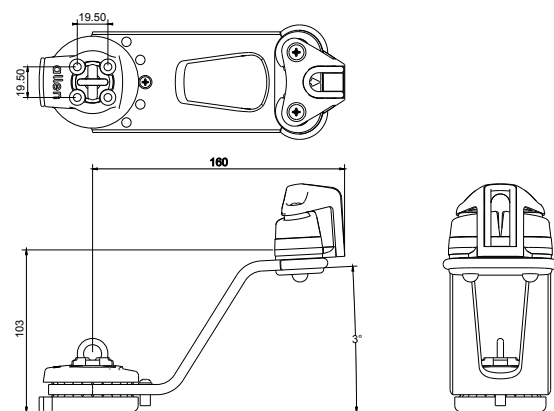
Mainsheet Jammers

Allen Mainsheet Jammers have had many hours of research and development to give the best possible product. The range features our World leading cold forged bearing system which has a ball locating groove for smooth rotation whilst preventing the lateral movement of the arm. The angle and height of the cam cleat has been carefully designed to optimise mainsheet jamming and release when required. The angles of rotation can be set to 180, 220 or 360 degrees.

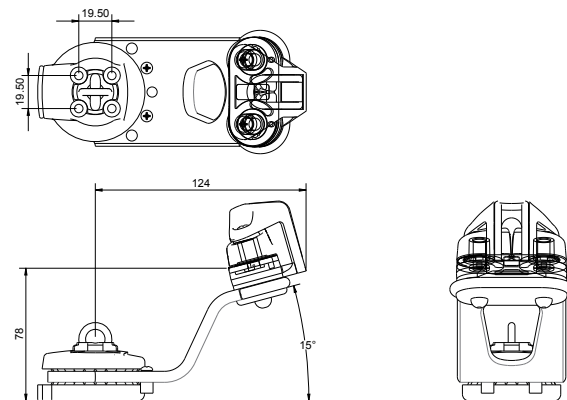
Improved base and bearing mechanism



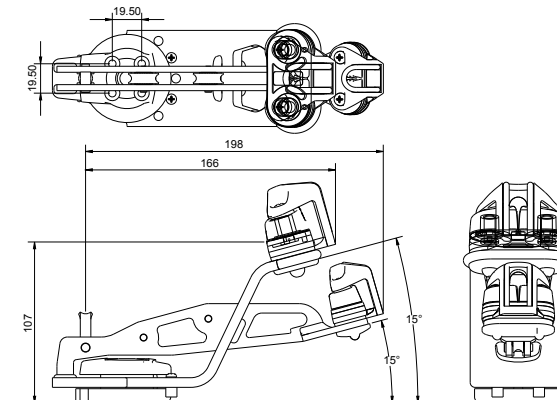
A5166
A5166ASSEMBLED



A5166COMP
A5166COMP-ASS



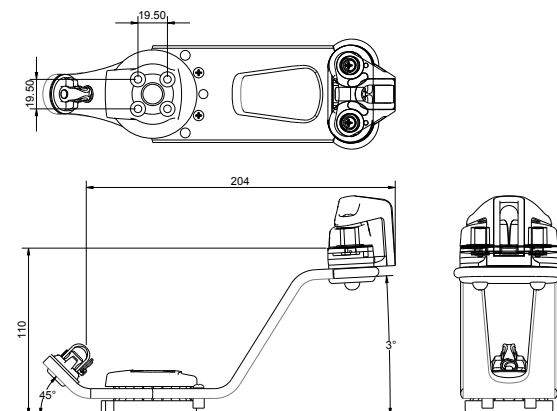
A5166DUAL
A5166DUAL-ASS



The A5266 range has the block mounted behind the swivel centre and angled towards the cleat. This creates a turning force on the block and jammer, meaning that the cleat will always be forced to point away from the boom and towards the helm ensuring the rope is to hand.



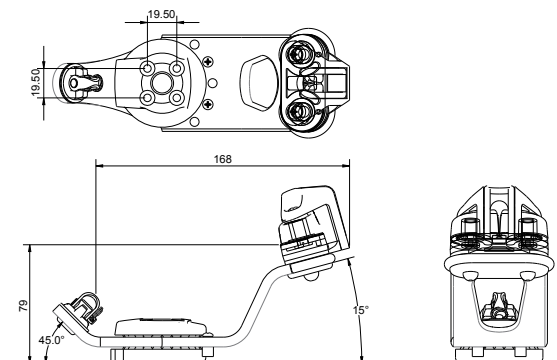
A5266
A5266ASS



"Loving the slingshot and the cleat angle is spot on. Great product."
George Hand



A5266COMP
A5266COMP-ASS

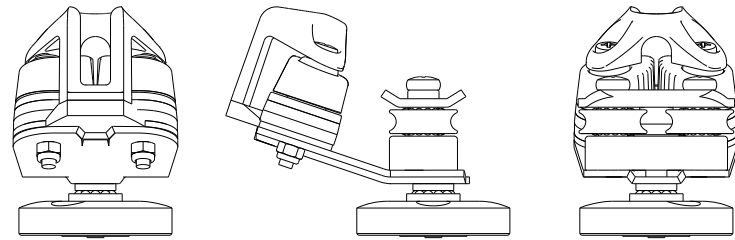


Part	Description	Fixing Hole Centres mm	Fixing Hole Size mm	MWL kg	Weight g
A5166FIDDLE	Standard Height Aluminium Arm With A2160Fiddle	19.5 x 19.5	5	600	504
A5166	Standard Height Aluminium Arm	19.5 x 19.5	5	600	368
A5166ASSEMBLED	Standard Height Aluminium Arm With A2160	19.5 x 19.5	5	600	484
A5166COMP	Compact Aluminium Arm	19.5 x 19.5	5	600	342
A5166COMP-ASS	Compact Aluminium Arm With A2160	19.5 x 19.5	5	600	486

Part	Description	Fixing Hole Centres mm	Fixing Hole Size mm	MWL kg	Weight g
A5166DUAL	Dual Aluminium Arm With A..76 and A.77	19.5 x 19.5	5	600	513
A5166DUAL-ASS	Dual Aluminium Arm With A.76, A.77 and A2160	19.5 x 19.5	5	600	620
A5266	Self Aligning Mainsheet Jammer	19.5 x 19.5	5	600	406
A5266ASS	Self Aligning Mainsheet Jammer With A2160	19.5 x 19.5	5	600	500
A5266COMP	Compact Self Aligning Mainsheet Jammer	19.5 x 19.5	5	600	369
A5266COMP-ASS	Compact Self Aligning Mainsheet Jammer With A2160	19.5 x 19.5	5	600	490

Swivel Cleats

Allen Swivel Cleats have been designed to give smooth sheeting articulation for a variety of applications from jib sheeting to vang systems. The cam cleats are mounted on a high grade stainless steel platform, and angled upward for ease of cleating. Available with either a plain bearing or ball bearing swivel base.



Ovington 29er - Credit: Pedro / Sailing Energy



Part	Description	Line Size mm	Height mm	Fixing Hole Centres mm	Weight g	Fixing Hole Size mm	Cam Cleat	Maximum Working Load kg
A4866	Angled With Small Ball Bearing Cleat	2 - 6	57	3 x 27	114	5	A..77	150
A4866X	Ball Bearing Swivel With Angled Base	2 - 6	82	3 x 27	141	5	A..77	150
A4866XB	Flat Ball Bearing Base With Sheaved Fairlead	2 - 6	57	3 x 27	120	5	A..77	150
A4866XB-Angled	Angled Ball Bearing Base With Sheaved Fairlead	2 - 6	92	3 x 27	141	5	A..77	150



Part	Description	Line Size mm	Height mm	Fixing Hole Centres mm	Weight g	Fixing Hole Size mm	Cam Cleat	Maximum Working Load kg
A4867	360 Swivel Cleat With Optional Stop 45/60/80	2 - 6	52	3 x 19	77	5	A.677	100
A4876	Through Deck Control Line Lead Cleat	4 - 6	63	4 x 29	120	5	A..77	150



Part	Description	Line Size mm	Height mm	Fixing Hole Centres mm	Weight g	Fixing Hole Size mm	Cam Cleat	Maximum Working Load kg
A4988	180 Swivel Cleat	4 - 10	95.2	85	108	5	A..77	100
A4988X	180 Swivel Cleat With Removable Sheave	4 - 10	95.2	85	108	5	A..77	100
A2133-677	30mm Flip Flop Block With A.677 Cleat	8	52	20	119	5	A.677	140
A2133-77	30mm Flip Flop Block With A..77 Cleat	8	52	20	128	5	A..77	140



A4466 A4466STRAIGHT



Part	Description	Line Size mm	Height mm	Fixing Hole Centres mm	Weight g	Fixing Hole Size mm	Cam Cleat	Maximum Working Load kg
A4466	Angled With Medium Allenite Cleat	4 - 10	72	3 x 27	137	5	A.676	120
A4466Straight	Straight With Medium Allenite Cleat	4 - 10	62	3 x 27	137	5	A.676	120
A4566	Angled With Medium Ball Bearing Cleat	4 - 10	72	3 x 27	168	5	A..76	150
A4566Straight	Straight With Medium Ball Bearing Cleat	4 - 10	62	3 x 27	168	5	A..76	150
A4766	Angled With Small Allenite Cleat	2 - 6	57	3 x 27	100	5	A.677	120
A4766Straight	Straight With Small Allenite Cleat	2 - 6	47	3 x 27	100	5	A.677	120

Clamcleats®

The innovative range of Clamcleat® rope cleats for control lines and trapezes. Made from high pressure die cast aluminium, finished in silver or hard anodising.

Please visit www.clamcleat.com for more information



Part	Description	Rope Diameter mm	Fixing Hole Centres mm	Length mm	Width mm	Height mm	Weight g
C203	Clamcleat Junior	3 - 6	66	82	18	23	17
C211M1	MK 1 Racing Junior Silver	3 - 6	66	82	18	23	34
C211M1A	MK 1 Racing Junior Anodised	3 - 6	66	82	18	23	34
C211M2	MK 2 Racing Junior Silver	3 - 6	27	55	16	20	23
C211M2A	MK 2 Racing Junior Anodised	3 - 6	27	55	16	20	23
C211MK2/S2	MK 2 Racing Junior Silver With Becket	3 - 6	27	55	16	20	23
C211MK2/S2AN	Mk 2 Racing Junior Anodised With Becket	3 - 6	27	55	16	20	23
C217M1	Mk 1 Side Entry Silver Starboard	3 - 6	66	82	18	23	32
C217M1A	Mk 1 Side Entry Anodised Starboard	3 - 6	66	82	18	23	32
C218M1	Mk 1 Side Entry Silver Port	3 - 6	66	82	18	23	32
C218M1A	Mk 1 Side Entry Anodised Port	3 - 6	66	82	18	23	32
C218M2	MK 2 Side Entry Silver Port	3 - 6	27	55	17	20	24
C222	Racing Mini Silver	3 - 6	36	48	15	21	16
C222A	Racing Mini Anodised	3 - 6	36	48	15	21	16
C230	Racing Junior MK1 With Roller	3 - 6	66	82	18	23	35
C236A	Roller Fairlead MK 1 Racing Junior Anodised	3 - 6	66	82	18	25	40
C253	Trapeze And Vang Clamcleat Silver	4 - 8	72	90	18	35	46
C253A	Trapeze And Vang Clamcleat Anodised	4 - 8	72	90	18	35	46
C257	Auto-Release Racing Mini	4 - 6	36	68	22	28	31
C270A	Racing Micros With Becket Anodised	1 - 4	24	44	13	19	14

V Cleats

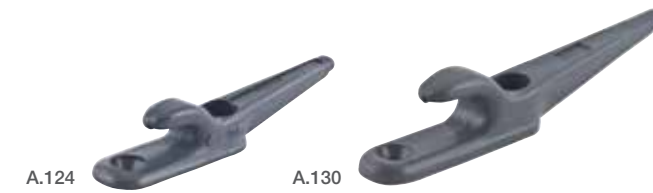
A simple but effective cleating option for applications where fine tune adjustment is not necessary.



Part	Material	Fixing Hole Size mm	Rope Diameter mm	Fixing Hole Centres mm	Length mm	Height mm	Weight g
A.146	Glass Filled Nylon	4	2 - 6	53	65	15	5
A.246	Glass Filled Nylon	4	2 - 8	80	97	23	18
A.346	Glass Filled Nylon	5	3 - 12	108	129	32	51
A4146	Stainless Steel	4	3 - 6	23	29	10	9
A4246	Stainless Steel	5	2 - 6	53	67	13	10

Burgee Cleats

Originally designed for securing burgee and pennant lines, Allen Burgee Cleats have a wide range of applications and are a favourite for committee boats, race huts and club flag posts.



Part	Description	Fixing Hole Size mm	Max Rope Diameter mm	Fixing Hole Centres mm	Length mm	Height mm	Weight g
A.124	Small Burgee Cleat	3	6	63	12	23	3
A.130	Large Burgee Cleat	3	8	92	17	34	6

Mast & Deck Cleats

The classic rope cleat, used for spars, decks and numerous other applications where rope needs securing



Part	Material	Fixing Hole Size mm	Max Rope Diameter mm	Fixing Hole Centres mm	Length mm	Height mm	Weight g
A..81	Nylon	3	5	20	62	13	6
A.181	Nylon	4	8	33	99	20	9
A.281	Nylon	5	10	48	155	27	33
A.381	Nylon	6	14	64	200	38	74
A.781	Nylon	5	11	42	133	25	22
A.481	Acetal	5	8	31	100	18	10
A.581	Aluminium	4	6	25	100	20	43
A.681	Aluminium	4	8	30	139	21	73

Pump Action Cleat

The ultimate fast cleating and automatic releasing cleat for rapid but positive hoisting. Most frequently used in conjunction with a 1:2 spinnaker halyard system with elastic take-away. Watch the video to find out more <https://www.youtube.com/watch?v=ag-3ipgrqas>



Part	Description	Max Rope Diameter mm	Fixing Hole Centres mm	Length mm	Height mm
A2077	Pump Action Cleat	1.5 - 4	18	40	33.5

Track and Keelband



Team Provezza - Peticrows Dragon - Credit: Paul Manning

Mast Track

Extruded aluminium track profiles, suitable as luff track for a sail, securing awnings to structures and curtain side panels.



A..26-1
A..26-2
A..26-260
A..26-3
A..26-4

A.526-1
A.526-2
A.526-TA

A.626
A.626-1

A.656
A.656-UNANOD

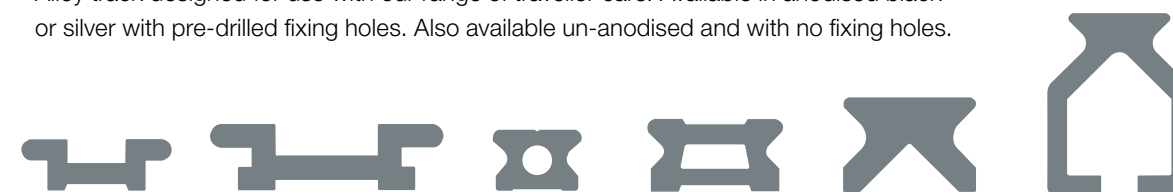
A.824

A.924

Part Number	Description	Length mm	Fixing Hole Centres mm	Fixing Hole Diameter mm	Internal Width mm	End Stop Required	To Suit Slug
A..26-1	Alloy Track Un-Anodised	3660	Undrilled	Undrilled	16	A.136	A..89 and A..95
A..26-2	Alloy Track	3660	76	5	16	A.136	A..89 and A..95
A..26-260	Alloy Track	260	Undrilled	Undrilled	16	A.136	A..89 and A..95
A..26-3	Alloy Track	300	76	5	16	A.136	A..89 and A..95
A..26-4	Alloy Track	1055	76	5	16	A.136	A..89 and A..95
A.526-1	Alloy Track Un-Anodised	3660	Undrilled	Undrilled	19	A.738	A..90 and A..92
A.526-2	Alloy Track	3660	76	5	19	A.738	A..90 and A..92
A.526TA	Alloy Track	3660	Undrilled	Undrilled	19	A.738	A..90 and A..92
A.626	Luff Groove Track	5400	Undrilled	Undrilled	5	A.824	A.158
A.626-1	Luff Groove Track Un-Anodised	5400	Undrilled	Undrilled	5	A.824	A.158
A.656	Luff Groove Track	6000	Undrilled	Undrilled	5	A.924	A.158 and A.958
A.656-UNANOD	Luff Groove Track Un-Anodised	6000	Undrilled	Undrilled	5	A.924	A.158 and A.958
A.824	Sail Feeder	15	20	4	10.5	-	A.626
A.924	Sail Feeder	30	-	4	9.5	-	A.656

Track For Travellers

Alloy track designed for use with our range of traveller cars. Available in anodised black or silver with pre-drilled fixing holes. Also available un-anodised and with no fixing holes.



A.226-1
A.226-1000
A.226-2
A.226-222Black
A.226-230
A.226-330
A.226-5

A.326-1
A.326-2
A.726-4
A.226-5

A.816-0.9
A.816-1500
A.816-3.0

A.819-0.9
A.819-3.0

A.826-2
A.826-3

A.826B-1.5
A.826B-3.0
A.826-5

Part Number	Description	Length mm	Fixing Hole Centres mm	Fixing Hole Diameter mm	End Stop Required	Colour
A.226-1	Alloy Track Un-Anodised	3660	Undrilled	Undrilled	A.136	Silver
A.226-1000	Alloy Track Anodised	1000	76	4	A.136	Silver
A.226-2	Alloy Track Anodised	3660	76	4	A.136	Silver
A.226-222Black	Alloy Track Anodised	222	76	4	A.136	Black
A.226-230	Alloy Track Anodised	230	76	4	A.136	Black
A.226-330	Alloy Track Anodised	330	76	4	A.136	Silver
A.226-5	Alloy Track Anodised	565	76	4	A.136	Silver
A.326-1	Alloy Track Un-Anodised	3660	Undrilled	Undrilled	A.736	Silver
A.326-2	Alloy Track Anodised	3660	75	5	A.736	Silver
A.726-4	Alloy Track Anodised	1043	75	5	A.736	Silver
A.726-5	Alloy Track Anodised	375	75	5	A.736	Silver
A.816-0.9	Alloy Track Anodised	900	75	4	A.916	Black
A.816-1500	Alloy Track Anodised	1500	75	4	A.916	Black
A.816-3.0	Alloy Track Anodised	3000	75	4	A.916	Black
A.819-0.9	Alloy Track Anodised	900	100	5	A.946	Black
A.819-3.0	Alloy Track Anodised	3000	100	5	A.946	Black
A.826-2	Alloy Track Anodised	3660	100	5	A.536 / A.936	Black
A.826-3	Alloy Track Anodised	3660	Undrilled	Undrilled	A.536 / A.936	Black
A.826-5	Alloy Track Anodised Black	900	100	5	A.536 / A.936	Black
A.826B-1.5	Alloy Beam Track Anodised	1500	Undrilled	Undrilled	A.937 / A.946	Black
A.826B-3.0	Alloy Beam Track Anodised	3000	Undrilled	Undrilled	A.937 / A.946	Black

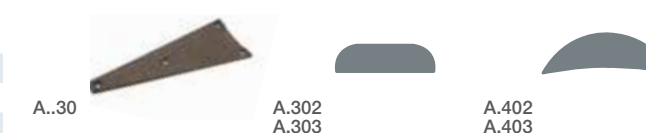


A.136 A.738 A.736 A.536 A.916 A.936 A.937 A.940 A.946 A4736

Track End Stops Complementary moulded end stops for our range of extruded track.

Part Number	Description	To Suit Track
A.136	End Stop	A.226 / A.326 / A.726
A.738	End Stop	A.526
A.736	End Stop	A.726 / A.326
A.536	End Stop	A.826
A.916	End Stop	A.816
A.936	End Stop	A.826
A.937	Pro-Lock Slug - M6 insert	A.826B (A4491)
A.940	End Stop	A.826B
A.946	End Stop	A.819
A4736	Adjustable End Stop	A.826 & A.826B

Keelbands Anodised extruded aluminium keelband profiles both drilled and undrilled to fit a flat or curved mounting surface.



Part Number	Description	Length mm	Fixing Hole Centres mm	Fixing Hole Diameter mm
A..30	Keelband Fairing	150	-	4
A.302	Light Weight Alloy Keelband	3050	Undrilled	Undrilled
A.303	Light Weight Alloy Keelband	3050	102	4
A.402	Convex Alloy Keelband	3300	Undrilled	Undrilled
A.403	Convex Alloy Keelband	3300	102	4

Deck and Hull Fittings

In the following section you will find our huge range of deck and hull fittings which ranges from CNC machined traveller cars to colourful anodised deck bushes, and everything in-between.



Ovington 29er - Credit: Pedro / Sailing Energy



Traveller Cars

Allen Traveller Cars are CNC machined from solid high grade aluminium and feature recirculating ball bearings to give a durable, strong and smooth performance every time you tack.

Available in 3 sizes:

Mini Profile: Our smallest and lightest traveller car to suit lightweight dinghy applications. Goes with track A.816

Traveller car sizes

	A4389	A4489	A4589
	Mini	Low	Maxi
Height:	16mm	18mm	26mm
Length:	50mm	60mm	70mm
Width:	40mm	46mm	50mm
Weight:	50g	65g	80g
MWL:	120kg	180kg	230kg
Breaking Load:	800kg	1200kg	1400kg



Part Number	Description	To Suit Track	Diameter Of Eye mm	Height mm	Length mm	Width mm	Weight g	Accessories	*MWL kg	*BL kg
A4289	Mini Profile Traveller Car For Universal Fittings	A.816	5	18	49	40	57	-	120	800
A4389	Mini Profile Traveller Car	A.816	-	30	50	40	50	-	120	800
A4389J	Mini Profile Traveller Car With Block and P Clip	A.816	6	31	90	40	70	A2026 / A4035	120	800
A4389M	Mini Profile Traveller Car With Blocks	A.816	6	28	106	40	80	A2026	120	800
A4389Tii	Mini Profile Car With Tii-On Attachment	A.816	4	18	50	40	40	-	120	800

*MWL = Maximum Working Load *BL = Breaking Load

Low Profile: Our midrange Mini Traveller Car and designed for heavier duty dinghy applications and light weight keelboat applications. Goes with track A.826



Part Number	Description	To Suit Track	Max Line Dia. mm	Diameter Of Eye mm	Height mm	Length mm	Width mm	Weight g	Accessories	*MWL kg	*BL kg
A4244	Low Profile Nylon Traveller Car With Lacing Eye	A.826	-	10	32	70	45	87	A4376	180	1200
A4489	Low Profile Traveller Car	A.826	-	5	32	60	46	65	-	180	1200
A4489J	Low Profile Traveller Car With Block And P Clip	A.826	6	5	33	90	46	95.6	A2026 / A4035	180	1200
A4489M	Low Profile Traveller Car With Blocks	A.826	6	5	32	105	46	94	-	180	1200
A4489-SOLO	Low Profile Traveller Car For Solo Dinghy	A.826	6	-	60	70	70	90	A.677-497 / A4086B	180	1200
A4489Tii	Low Profile Car For Tii-On Attachment	A.826	6	-	17	60	46	43	-	180	1200

Maxi Profile: Our biggest and most durable traveller car to suit the heaviest duty dinghy applications and medium keelboat applications. Goes with track A.819



Part Number	Description	To Suit Track	Max Line Dia. mm	Diameter Of Eye mm	Height mm	Length mm	Width mm	Weight g	Accessories	*MWL kg	*BL kg
A4589CAT676	Maxi Profile Traveller Car For Catamaran	A.819	10	-	70	70	50	115	A.676-496	230	1400
A4589CAT677	Maxi Profile Traveller Car For Catamaran	A.819	6	-	65	70	50	115	A.677-497	230	1400
A4589M	Maxi Profile Traveller Car With Blocks	A.819	10	-	50	70	50	147	A2036	230	1400
A4589Tii	Maxi Profile Traveller Car With Tii-On Attachment	A.819	8	-	26	70	50	56.6	-	230	1400
A3302	Catamaran Mainsheet Traveller Car	-	6	20	105	90	69	269	A4766	80	150

Self Tacking Jib System

The Allen self-tacking system is the strongest available on the market. Carefully designed, the CNC turned adjustable aluminium legs allow the geometry to work on the curved beam track at any angle, whilst the A4489F traveller car has a forked attachment point. Hard anodised black.



Part	Description	Length mm
A4491	Self Tacking Jib System Complete	1100
A4491-1.2	Self Tacking Jib System Complete	1200

Sliding Fairleads & Sheet Leads

Allen Sliding Fairlead and Sheet Leads are ideal for jib sheeting. The piston stop allows for adjustment to the required sheeting angles, whilst the variety of available cam cleat and fairlead accessories give the best possible performance. All Sliding Fairlead and Sheet Leads are supplied as a pair with track, end stops and fastenings all included.

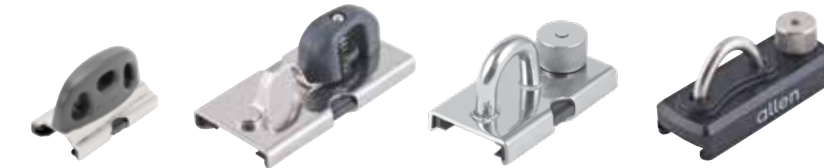


A4274 A4274-76 A4274TZ A4474 A4474-76 A4490

Part Number	Description	Track Length mm	Distance Between Adjustments mm	Maximum Rope Size mm	Cleat	Track	Fixing Hole Centres mm	Fixing Hole Diameter mm	Number Of Fixing Holes
A4274	Piston Stop Nylon Fairlead Cam Cleat	375	19	10	A.676	A.326	76	5	5
A4274-76	Piston Stop Nylon Fairlead Cam Cleat	375	19	10	A..76	A.326	76	5	5
A4274TZ	Piston Stop Nylon Fairlead Cam Cleat	451	19	10	A.676	A.326	76	5	6
A4474	Piston Stop Wire Fairlead Vertical Cam Cleat	300	19	10	A.676	A.326	76	5	4
A4474-76	Piston Stop Wire Fairlead Vertical Cam Cleat	300	19	10	A..76	A.326	76	5	4
A4490	Adjustable Jib Track With A2030	450	-	8	-	A.826	100	5	6
A4573	Sliding Wire Fairlead With Piston Stop	330	19	-	-	A.226	56	4	6
A4574	Piston Stop Wire Fairlead With A2030	330	19	8	-	A.226	56	4	5
A4587	Piston Stop Bullseye Fairlead With Swivel Cleat	300	19	10	A..76	A.226	76	4	4
A4590	Adjustable Jib Slider And Track	222	19	-	-	A.226	56	4	4

Track Slides

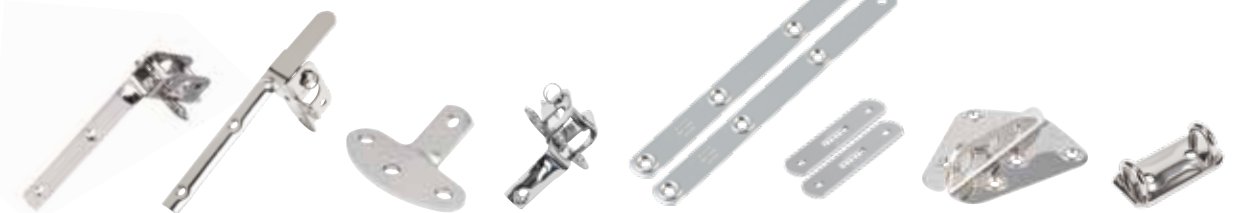
CNC machined aluminium or pressed stainless steel track slides with spring loaded piston stop options. The pressed options stainless steel slides are supplied with acetal runners for smooth adjustment.



Part Number	Description	To Suit Track	Weight g	Length mm	Height mm	Width mm
A4089	Mainsheet Slider	A.226	35	51	34	29
A4354	Slider With Piston Stop And Lacing Eye	A.326/A.726	81	76	28	39
A4575	Sliding Fairlead With Piston Stop	A.226	60	51	30	30
A4591	Black Sliding Fairlead With Piston Stop	A.226	62	66	30	26

Bow & Shroud Plates

Formed stainless steel Bow Plates feature jib and forestay attachment points. Shroud plates have formed holes to suit countersunk screws.



Part Number	Description	Length mm	Width mm	Thickness mm	Fixing Hole Centres mm	Slot / Tenon mm	Weight g
A4001E	Bow Plate	105	17	1.7	36	-	79
A4001S	Bow Plate	158	20	1.7	36	-	-
A4001-EPS	EPS Bow Tang	50	63	2	24	-	31
A4001W	Bow Plate Wayfarer	35	20	1.7	36	-	54
A4025	Shroud Plate Pair	194	16	2	57	-	37
A4025S	Reinforced Shroud Plate Cover Pair	194	16	2	57	-	50
A4171	Shroud Plate Cover With Small Slot	64	16	2	47	16 x 2	12
A4171S	Shroud Plate Cover With Large Slot	64	16	2	47	16 x 4	12
A4225	Bow Plate	94	87	1.7	-	-	103
A5850	Laser Deck Plate	51	26	2	25	-	2

Snatch Fairleads & Lacing Hooks

Our Snatch Fairleads and Lacing Hooks are moulded from acetal, perfect for leading or attaching lines and shock cord.



Part Number	Description	Rope Diameter mm	Height mm	Length mm	Fixing Hole Centres mm	Distance Between Fixings mm	Weight g
A..61	Acetal Lacing Hook	5	16	25	3	16	2
A.135	Nylon Lacing Hook	8	20	49	4	19	4
A.148	Nylon Lacing Hook	5	16	49	3	14	2
A.248	Nylon Lacing Hook	4	18	57	4	43	4
A.435	Acetal Snatch Lead	10	25	55	4	40	8
A.535	Acetal Snatch Lead	12	34	72	5	53	21

Hatch Covers

Our Hatch Covers are made from a lightweight polypropylene and are available in a black, white, grey and easy to open designs.

A.137 and A.237 are a non 'O' ring design and have exposed fixings.

A.337, A.537 and A.637 all require a rubber 'O' Ring to keep them water tight.

A1737, A1837 and A1937 feature a fully threaded cover with watertight seal.

When ordering please specify which colour.



Part Number	Description	Fixing Hole Size mm	Cut Out Size mm	Opening Size	'O' Ring Required	Weight g	Colour Choice
A.137	Non O Ring Hatch Cover	3	109	99	-	42	Grey/White
A.237	Non O Ring Hatch Cover	3	159	144	-	117	Grey/White
A.337	O Ring Seal Hatch Cover	3	110	100	A.338	62	Grey/Black/White
A.337-BAG	O Ring Seal Hatch Cover With Hatch Bag	3	110	100	A.338	62	Grey/Black/White
A.537	O Ring Seal Hatch Cover	3	157	145	A.538	111	Grey/Black/White
A.537-BAG	O Ring Seal Hatch Cover With Hatch Bag	3	157	145	A.538	111	Grey/Black/White
A.637	O Ring Seal Hatch Cover	3	241	223	A.638	266	Grey/Black/White
A1737	Integral Seal Rigid Hatch Cover	4	108	100	-	84	Grey/Black/White
A1837	Integral Seal Rigid Hatch Cover	4	138	130	-	117	Grey/Black/White
A1937	Integral Seal Rigid Hatch Cover	4	154	148	-	142	Grey/Black/White
A.338	Rubber Sealing O Ring For A.337/A.337W	-	-	-	-	-	-
A.538	Rubber Sealing O Ring For A.537/A.537W	-	-	-	-	-	-
A.638	Rubber Sealing O Ring For A.637/A.637W	-	-	-	-	-	-
A-BAG-KIT	Hatch Cover Bag With Fixing Screw	-	-	-	-	-	-

U Bolt

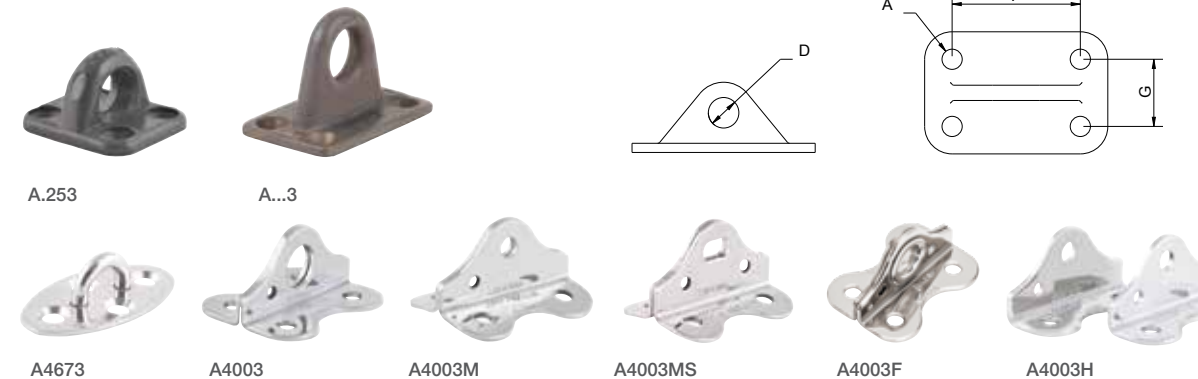
Made from 316 stainless steel, Allen U Bolt's are designed to withstand high loads without distortion. Supplied with top plate, backing plate and nuts.



Part Number	Description	Rod Size mm	Fixing Hole Centres mm	Height mm	Thread Length mm	Weight g	Inside Diameter mm
A4371	U Bolt With Top & Bottom Backing Plate	5	28	43	20	24	23
A4371L	U Bolt With Top & Bottom Backing Plate	5	28	51	20	29	23
A4471	U Bolt With Top & Bottom Backing Plate	6	38	58	25	54	32
A4571	U Bolt With Top & Bottom Backing Plate	8	51	75	25	115	43
A4671	U Bolt With Top Backing Plate	6	38	77.5	39	53	32
A4671XT	U Bolt With Nut & Washer	6	38	120	96	91	32
A4671XT-FT	U Bolt With Tang, Nut & Washer	6	38	120	96	91	32
A4871	U Bolt With Heavy Duty Top & Bottom Backing Plate	6	28	43	20	60	22
A4871X	U Bolt With Heavy Duty Top & Bottom Backing Plate	6	28	50	25	62	22
A4512	U Bolt With Lowers & Bottom Backing Plate	6	28	80	25	100	22

Anchor Plates

Nylon, aluminium or stainless steel anchor plates.



Part Number	Description	D Inside Diameter mm	A Fixing Hole Size mm	F&G Fixing Hole Centres mm	Weight g
A.253	Nylon Anchor Plate	6	3	18 x 13	4
A...3	Aluminium Anchor Plate	12	5	34 x 16	19
A4673	Stainless Steel Looped Anchor Plate	13	6.5	18 x 17	23
A4003	Stainless Steel Flat Anchor Plate	11	5	27 x 16	24
A4003M	Stainless Steel Radiused Anchor Plate	5	5	27 x 16	24
A4003MS	Stainless Steel Radiused Anchor Plate, Wide Hole	13 x 6	5	29 x 16	24
A4003F	Stainless Steel Flat Anchor Plate With Ferrule	9	5	27 x 16	27.2
A4003H	Stainless Steel Split Halves Anchor Plate	5	5	27 x 16	24



Lago L. Marra - A-Class © Emilio Lavandeira

Lacing Eyes & Eye Straps A comprehensive range of pressed and forged stainless steel lacing eyes and eye straps.



Part Number	Description	Height mm	Fixing Hole Size mm	Fixing Hole Centres mm	Weight g
A4388	Pressed Stainless Steel V Style Lacing Eye - Small	8	4	27	1.5
A4488	Pressed Stainless Steel V Style Lacing Eye - Medium	14	6	39	4



Part Number	Description	Height mm	Fixing Hole Size mm	Fixing Hole Centres mm	Weight g
A4288	Pressed Stainless Steel Lacing Eye - Small	8	3	22	1
A4073	Pressed Stainless Steel Lacing Eye - Medium	12	5	34	4
A4088	Pressed Stainless Steel Lacing Eye - Large	16	5	41	5
A4088-6.5	Pressed Stainless Steel Lacing Eye	18.6	6.5	41	5
A4588	Pressed Stainless Steel Lacing Eye - XLarge	32	6	53	12



Part Number	Description	Height mm	Fixing Hole Size mm	Fixing Hole Centres mm	Weight g
A4376	Wide Pressed Stainless Steel Lacing Eye - Small	8	5	28	3
A4377	Wide Pressed Stainless Steel Lacing Eye - Medium	12	5	40	7
A4276	Wide Pressed Stainless Steel Lacing Eye - Large	20	5	40	7



Part Number	Description	Height mm	Fixing Hole Size mm	Fixing Hole Centres mm	Weight g
A4038	Pressed Clip Stainless Steel Lacing Eye	6	3	-	1.7
A4035	Pressed Clip Stainless Steel Lacing Eye	15	5	-	5
A4035-6	Pressed Clip Stainless Steel Lacing Eye	15	6	-	6
A4036	Pressed Offset Lacing Eye	11	5	15	4



Part Number	Description	Height mm	Fixing Hole Size mm	Fixing Hole Centres mm	Weight g
A5014	Forged Stainless Steel Eye Strap - Small	14	4	27	3.2
A5015	Forged Stainless Steel Eye Strap - Medium	18	5	33	6.4
A5016	Pressed Stainless Steel Eye Strap - Large	22	6	40	12



Part Number	Description	Height mm	Fixing Hole Size mm	Fixing Hole Centres mm	Weight g
A5014F	Forged Stainless Steel Eye Strap With Ferrule - Small	8	4	27	3.6
A5015F	Forged Stainless Steel Eye Strap With Ferrule - Medium	10	5	33	8.2
A5016F	Pressed Stainless Steel Eye Strap With Ferrule - Large	14	6	40	15



Part Number	Description	Height mm	Fixing Hole Size mm	Fixing Hole Centres mm	Weight g
A6050	Pressed Stainless Steel Lacing Eye - Small	12	4.2	28	2
A6051	Pressed Stainless Steel Lacing Eye - Medium	14	5	34	5
A6052	Pressed Stainless Steel Lacing Eye - Large	19	5.3	44	11

Fairleads

Our fairleads come in a variety of styles (both stainless steel lined and unlined) to suit your rope leading needs. Suitable for dinghies and keelboats. Some are available in a variety of colours, please speak to our sales team to find out which colours are available for each product.



Part Number	Description	Inside Diameter mm	Fixing Hole Size mm	Fixing Hole Centres mm	Weight g
A..52	Bullseye Fairlead	7	4	15	3
A.452	Bullseye Fairlead	11	4	18	4
A.152	Bullseye Fairlead	14	5	25	8
A.252	Bullseye Fairlead	19	5	34	28



Part Number	Description	Inside Diameter mm	Fixing Hole Size mm	Fixing Hole Centres mm	Weight g
A4052	Bullseye Fairlead With Stainless Steel Inner	6	4	15	4
A4452	Bullseye Fairlead With Stainless Steel Inner	10	4	18	6
A4152	Bullseye Fairlead With Stainless Steel Inner	13	4	25	12
A4252	Bullseye Fairlead With Stainless Steel Inner	20	5	34	32



Part Number	Description	Inside Diameter mm	Fixing Hole Size mm	Fixing Hole Centres mm	Weight g
A.182	Open Base Fairlead	7	4	23	6
A.282	Open Base Fairlead	9	5	23	6
A.282A	Open Base Fairlead Aluminium	9	5	23	13
A.382	Open Base Fairlead	13	4	25	9



Part Number	Description	Inside Diameter mm	Fixing Hole Size mm	Fixing Hole Centres mm	Weight g
A4182	Open Base Fairlead With Stainless Steel Inner	6	4	25	5
A4282	Open Base Fairlead With Stainless Steel Inner	8	5	24	8
A4382	Open Base Fairlead With Stainless Steel Inner	10	4	27	11



Part Number	Description	Inside Diameter mm	Fixing Hole Size mm	Fixing Hole Centres mm	Weight g
A.153	Low Profile Fairlead	7	3	20	3
A4153	Low Profile Fairlead With Stainless Steel Inner	6	3	20	4
A.134	Acetal Fairlead (Laser® Bow)	30	5	50	29
A.134RB-CAN	Acetal Fairlead (Laser® Bow)	30	5	50	29



Part Number	Description	Inside Diameter mm	Fixing Hole Size mm	Fixing Hole Centres mm	Weight g
A5052-4	Keelboat Fairlead	24 X 12	4	25.6	14
A5052-6	Keelboat Fairlead	36 X 18	6	38.4	39
A5052-8	Keelboat Fairlead	48 X 24	8	51.2	104
A5052-10	Keelboat Fairlead	60 X 30	10	64	189
A5052-12	Keelboat Fairlead	72 X 36	12	76.8	307
A5053-4	Keelboat Jib Sheet Fairlead	Oblong Hole - 12 X 24 - Round Hole - 12	4	27.2	23
A5053-6	Keelboat Jib Sheet Fairlead	Oblong Hole - 36 X 18 - Round Hole - 18	6	40.8	64
A5053-8	Keelboat Jib Sheet Fairlead	Oblong Hole - 48 X 24 - Round Hole - 24	8	54.4	170



Part Number	Description	Inside Diameter mm	Fixing Hole Size mm	Fixing Hole Centres mm	Weight g
A5054-6	Keelboat Sheet Deflector	10	6	22.5	14
A5054-8	Keelboat Sheet Deflector	13.3	8	30	31
A5054-10	Keelboat Sheet Deflector	16.7	10	37.5	55
A5054-12	Keelboat Sheet Deflector	20	12	45	82
A5054-16	Keelboat Sheet Deflector	26.7	16	60	206

Self Bailer

Our original self-bailer, A4155, is the lightest self-bailer on the market and drains exceptionally well even at low speeds. Our high performance self-bailer, A4555, gains advantage from it's delta design that increases drainage flow while reducing drag and turbulence.



A.155 A4155 A4155KIT A4255 A4555



A4555KIT

Part Number	Description	Weight g
A.155	Self Bailer With No Gaurd	77
A4155	Self Bailer With Stainless Steel Guard	81
A4155KIT	Spares For Bailer A4155	-
A4255	Self Bailer Gaurd	35.7
A4555	Advanced 'Delta' Self Bailer	182
A4555KIT	Spares For Bailer A4555	-

Drain Sockets & Bungs

We manufacture a variety of bungs and sockets that are ideal for draining water from the inside of dinghy hulls and other buoyancy compartments. Available in both captive and non captive forms.



52802 A.123 A.223 A.323 A.323W



A.423 A.424 A1231 A1232

Part Number	Description	Fixing Hole Size mm	Fixing Hole Centres mm	Outside Diameter mm	Inside Diameter mm	Weight g	Material
52802	Plastic Bung No Socket	-	-	-	-	4-	Nylon
A.123	Drain Socket	3	28	19	17	3	Nylon
A.223	Drain Socket With Captive Bung	3	30 x 30 x 30	26	-	7	Nylon
A.323	Drain Socket With Captive Screw Bung	3	38	24	-	11	Nylon
A.323W	White Drain Socket With Captive Screw Bung	3	38	24	-	11	Nylon
A.423	Drain Socket With Removable Screw Bung	4	36	22	17	22	Nylon
A.424	Screw Bung	-	-	16	-	7.1	Nylon
A1231	Bung	-	-	23 Min	-	15	TPU Polyurethane
A1232	Rubber Bung To Fit A.123	-	-	15 Min	-	8	Rubber

Self Tapping Nuts

Self tapping nylon nuts commonly used with wood screws are an alternative option to bolt and nuts.



Part Number	Description	Length mm	Height mm	Bore g
A.129	Small Self Tapping Wing Nut	29	7	3
A.229	Medium Self Tapping Wing Nut	36	12	3.8
A.329	Self Tapping Square Nut	17	12.5	3.9

Deck Bushes

Deck Bushes come in a variety of different styles to suit your rope leading needs. Available in nylon, stainless steel lined nylon and anodised aluminium. SS = Stainless Steel



Part Number	Description	Inside Diameter mm	Outside Diameter mm	Fixing Hole Size mm	Column Depth mm	Fixing Hole Centres mm	Weight g
A..39	Through Deck Bush With Flange	9	19	3	9	28	3
A.239	Through Deck Bush With Flange	12	22	3	9	31	4
A.339	Through Deck Bush With Flange	15	25	3	9	36	5
A.139	Through Deck Bush With Flange	20	33	3	9	44	7



Part Number	Description	Inside Diameter mm	Outside Diameter mm	Fixing Hole Size mm	Column Depth mm	Fixing Hole Centres mm	Weight g
A4039	Through Deck Bush With Flange And SS Inner	6	19	3	9	28	5
A4239	Through Deck Bush With Flange And SS Inner	11	22	3	9	31	9
A4339	Through Deck Bush With Flange And SS Inner	13	25	3	9	36	12
A4139	Through Deck Bush With Flange And SS Inner	20	33	3	9	45	12



Part Number	Description	Inside Diameter mm	Outside Diameter mm	Column Depth mm	Weight g
A.439	Through Deck Bush	8	13	8	0.5
A.439-14	Through Deck Bush	8	13	14	2
A.539	Through Deck Bush	13	16	8	2
A.539-14	Through Deck Bush	13	16	14	2
A4439	Through Deck Bush With Stainless Steel Inner	6	13	8	3
A4439-14	Through Deck Bush With Stainless Steel Inner	6	13	14	3.5
A4539	Through Deck Bush With Stainless Steel Inner	13	16	8	4
A4539-14	Through Deck Bush With Stainless Steel Inner	13	16	14	5.7
A..40	Stainless Steel Fairlead	11 x 35	14 x 37	18	12
A..40-12	Stainless Steel Fairlead	11 x 35	14 x 37	9	7
A8040-34	Aluminium Rope Guide	8 x 34	11 x 38	6	10
A8040-56	Aluminium Rope Guide	16 x 56	20 x 60	7	13

Add a little **colour** to your ride

Aluminium Deck Bushes

The aluminium range comes in both threaded and non-threaded versions. The threaded through deck bush allows for a perfect fit to your deck and stops rope wear both top and bottom. Aluminium through deck bushes are available in a choice of 6 colours, allowing you to add a personalised touch.



Part Number	Description	Inside Diameter mm	Outside Diameter mm	Structure Depth mm	Weight g
A.439A	Aluminium Through Deck Bush	8	13	8	3
A.539A	Aluminium Through Deck Bush	13	16	8	4
A8439-7	Aluminium Threaded Through Deck Bush	8	13	7 Min - 9 Max	3.7
A8539-7	Aluminium Threaded Through Deck Bush	12	16	7 Min - 9 Max	6
A8439-9	Aluminium Threaded Through Deck Bush	8	13	9 Min - 14 Max	5
A8539-9	Aluminium Threaded Through Deck Bush	12	16	9 Min - 14 Max	6
A8439-13	Aluminium Threaded Through Deck Bush	8	13	13 Min - 18 Max	5
A8539-13	Aluminium Threaded Through Deck Bush	12	16	13 Min - 18 Max	7
A8439-17	Aluminium Threaded Through Deck Bush	8	13	17 Min - 22 Max	6
A8539-17	Aluminium Threaded Through Deck Bush	12	16	17 Min - 22 Max	8
A8439-21	Aluminium Threaded Through Deck Bush	8	13	21 Min - 26 Max	7
A8539-21	Aluminium Threaded Through Deck Bush	12	16	21 Min - 26 Max	8.5
A8439-25	Aluminium Threaded Through Deck Bush	8	13	25 Min - 30 Max	7.5
A8539-25	Aluminium Threaded Through Deck Bush	12	16	25 Min - 30 Max	9.5
A8439-29	Aluminium Threaded Through Deck Bush	8	13	29 Min - 34 Max	8.5
A8539-29	Aluminium Threaded Through Deck Bush	12	16	29 Min - 34 Max	10.5

Pad-Tii

Our range of aluminium through deck bushes and threaded through deck bushes have been well received by the industry so we have decided to continue with the development.

The logical product progression being fixing tie on blocks to the deck or bulkhead. There are a number of companies producing products that provide this, so we decided to think a little more laterally and have come up with a range of Pad-Tii that have some additional design features.

A number of current products require the integral pad and associated tie on rope to be permanently bonded to a surface, which doesn't readily allow replacement of worn rope.

We have incorporated an ingenious removable attachment pin to allow the user to replace the tii on rope as it wears. Simply unscrew the upper insert, push down on the tii on rope and remove the stainless steel crossbar. Install your replacement tii on rope by pushing through the hole in the centre of the upper insert, slide the pin into place retaining the tii on rope and screw the upper insert back into the deck.

The lower insert is enclosed ensuring the design is watertight, the two parts can easily be tightened with a set of circlip pliers. Colours available - Blue and Black.

* Other colours are available upon request but will result in a longer lead time.



Part Number	Description	Fixing Hole Centres mm	Fixing Hole Depth Maximum mm	Fixing Hole Depth Minimum mm	Fixing Hole Diameter mm	Outside Diameter mm	Breaking Load kg	Maximum Working Load kg	Weight g
A8639-6	Pad-Tii	13	8	6	12.8	19	350	250	21
A8639-8	Pad-Tii	13	10	8	12.8	19	350	250	21
A8639-10	Pad-Tii	13	12	10	12.8	19	350	250	21
A8739-6	Pad-Tii	17	8	6	16	24	400	300	7
A8739-8	Pad-Tii	17	10	8	16	24	400	300	7
A8739-10	Pad-Tii	17	12	10	16	24	400	300	7
A8739-18	Pad-Tii	17	20	18	16	24	400	300	10
A8839	Pad-Tii With Fixed Tii Bar	13	10	4.5	12.8	19	350	250	8
A8939	Pad-Tii With Fixed Tii Bar	17	10	4.5	16	24	575	350	10

Spars and Rigging Accessories

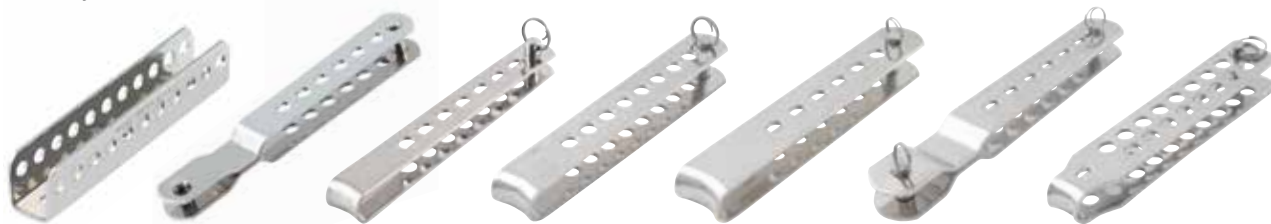
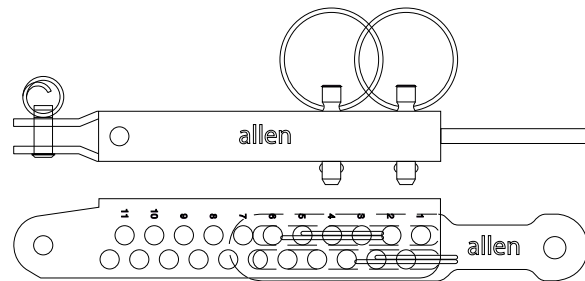


Megan Pascoe - 2.4MR

Stay & Vernier Adjusters

Allen Vernier Adjusters are made from high quality stainless steel to ensure they are lightweight yet hard wearing. Available in a variety of designs to allow for fine-tune rig adjustment.

Also available as de-raker kits with pressed calibration marks, fast pins and captive de-raker plates. Allowing maximum customisation even when you're on the water.



Part Number	Description	Pin Diameter mm	Adjustment Range mm	Increments mm	Internal Width mm	Weight g
A4024	Channel Stay Adjuster	5	87	9	13	59
A4172	Stay Adjuster	5	52	9	8	46
A4372	Stay Adjuster	5	60	9	8	23
A4472	Stay Adjuster	5	69	9	8	39
A4572	Stay Adjuster	6	76	13	10	86
A4872	Stay Adjuster	6	76	13	9	100
A4972	Open Front Vernier Adjuster	5	64	4	8	38



Part Number	Description	Pin Diameter mm	Adjustment Range mm	Increments mm	Internal Width mm	Weight g
A4272-148	Vernier Adjuster With Lacing Hook	5	64	3	9	46
A4272S	Short Vernier Adjuster	5	32	4	9	25
A4772	Heavy Duty Vernier Adjuster	5	84	4	9.5	71
A4772DR-KIT	Heavy Duty Vernier Adjuster With De Raker Plate	5	84 + 43dr	4	9.5	78
A4772HT	High Tension Vernier Adjuster	6	80	5	10	64
A4272	Vernier Adjuster	5	64	3	9	41
A4772S	Short Heavy Duty Vernier Adjuster	5	32	4	9.5	41
A4772S-6	Short Heavy Duty Vernier Adjuster	6	32	4	10.5	40
A4772SDR-KIT	Short Heavy Duty Vernier Adjuster With De Raker	5	32 + 43dr	4	9.5	40
A4772DR	De-Raker Plate	-	43	-	-	31

Fast Pins & Reaching Hooks

Made from 316 stainless steel and designed for use with our vernier adjusters.



Part Number	Description	Diameter mm	Usable Length mm	Overall Length mm	Suitable For	Weight g
A5005	Fast Pin	5	12.5	26.5	A4272	6.3
A5006	Fast Pin	6	15	29	A4772HT	8.4
A5105L	Reaching Hook	5	13	16	A4272	12
A5105S	Reaching Hook	5	9	12	A4772	11
A5106L	Reaching Hook	6	16	29	A4772S-6/ A4772HT	12.5
A5106S	Reaching Hook	6	12	25	A4772HT	12

Clevis Pins & Split Rings

Part Number	Description	Diameter mm	Length mm
AFPP266	Small Split Ring	11	-
AFPP266B	Medium Split Ring	15	-
AFPP266C	Large Split Ring	18	-
AFCP59	Clevis Pin	5	9
AFCP512	Clevis Pin	5	12
AFCP515	Clevis Pin	5	15
AFCP518	Clevis Pin	5	18
AFCP521	Clevis Pin	5	21
AFCP525	Clevis Pin	5	25
AFCP621	Clevis Pin	6	21
F630L	Drop Nose Pin	5	23

Dynamic Rig Adjustment

The Allen dynamic rig adjustment kit has been developed to suit multiple applications and boats. Examples of applications include the Fireball horizontal mast strut, the 505 vertical mast strut and Graduate GNAV system.

In all cases we provide a complete kit.



A3210

A3211

A3212



A4592



A4592E

Part Number	Description	Tube Length mm	Track Length mm
A3210	Vertical Mast Ram Kit	700	250
A3211	Horizontal Mast Ram Kit	700	500
A3212	Gnav System	700	300
A4592	Mast Ram	250	-
A4592E	Tube End Fittings For A4592	-	-

Highfield Levers

A range of high quality formed 316 stainless steel ratchet and non-ratchet highfield levers for rapid and repeatable rig tensioning.



A4160

A4260

A4260-1

A4260-2

Part Number	Description	Throw mm	Adjustment mm	Backing Plate Thickness mm	Backing Plate Width mm	Backing Plate Length mm	Number Of Adjustments	Weight g
A4160	Highfield Lever	70	-	1.5	16	50	1	100
A4260	Ratchet 3 Fixings Flat Backing Plate	75	63	1.5	13	95	6	193
A4260-1	Ratchet 3 Fixings Clipped Backing Plate	75	63	5	13	101	6	111
A4260-2	Ratchet 4 Fixings Flat Backing Plate	75	63	1.5	13	95	6	102

Furling Gear & Swivels

A variety of roller furling gear and swivels to use with your jib or headsail. All designed to be furled and unfurled under load.



Part Number	Description	Fixing Hole Diameter mm	Pin Diameter mm	Fork Width mm	Length mm	Height mm	Weight g	Maximum Working Load Kg
A4102	Stainless Steel Top Furler	-	5	12 / 9	49	-	23	200
A4222	Stainless Steel Universal Swivel Base	4	4	-	-	30	28	300
A4302	High Load Top Furler	-	6	8	63.25	82.75	41	430
A4202	Swivel Connector	-	5	11	34	47.50	38	400
A4905	High Load Drum Furler	-	5	8	68	88	112	430
A4904	Furling Unit	-	5	-	-	73.2	212	400
A4904LZ	Integral Bow Bar Furling Unit	5	5	11	235	90	65	330

Gooseneck Sleeves

Nylon Gooseneck Sleeve to fit inside carbon or aluminium tubes to prevent wear.



Part Number	Description	Inside Diameter mm	Outside Diameter mm	Length mm	Weight g
A.471	Gooseneck Sleeve	19	29	38	16
A.471TOP	Gooseneck Sleeve	28	34	39	22

Goosenecks

A range of high quality 316 stainless steel and pressure die cast aluminium fixed and sliding goosenecks.



Part Number	Description	Fixing Hole Diameter mm	Pin Diameter mm	To Suit Mast Diameter mm	Groove Width mm	Backing Plate Width mm	Backing Plate Thickness mm	Weight g
A4009C	Stainless Steel Gooseneck With Radiused Strap	4	12	50 - 55	-	-	-	78
A4009LZ	Stainless Steel Gooseneck With Radiused Strap	4	12	55	-	-	-	78
A4009LZ-10	Stainless Steel Gooseneck With Radiused Strap	4	10	55	-	-	-	78
A4009K	Stainless Steel Gooseneck With V Strap	4	12	50	-	-	-	78
A4009K-10	Stainless Steel Gooseneck With V Strap	4	10	50	-	-	-	78
A4114-1	Aluminium Sliding Gooseneck	-	12	-	7	11	10	101
A4114-2	Aluminium Sliding Gooseneck	-	12	-	9	16	4	94
A4114-3	Aluminium Sliding Gooseneck	-	12	-	8	16	6	104
ASP4109	Laser/LCA Gooseneck	5	12	-	-	45	2	-
A.120	Spare Gooseneck Nut	-	-	-	-	-	-	5

Sheave Boxes

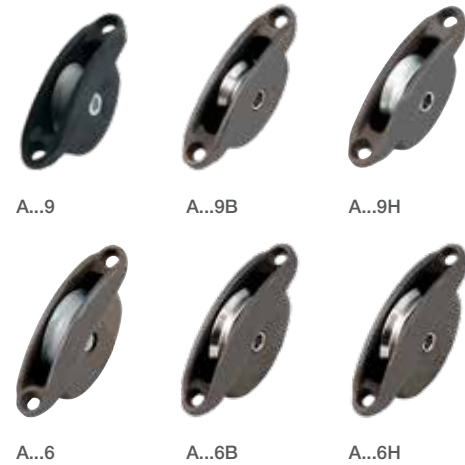
Allen Sheave Boxes are available with a plain bearing or ball bearing sheave. We also have the following choice of sheave material to suit your application: Acetal Resin, Stainless Steel and Alloy.

Sheave boxes are suitable for all types of halyard systems, control line systems and general running rigging.

The low profile range of sheave boxes feature our unique hook-in cage; designed to deal with the high loads of modern rigs.

* Working and breaking loads are very dependent on the fixing of the sheave box.

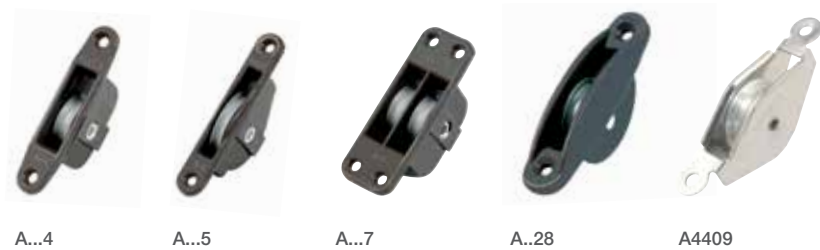
* When using an aluminium sheave box with carbon rigging or decking insure it should be isolated with a suitable product to reduce electrolytic action.



Part Number	Description	Sheave Width mm	Sheave Diameter mm	Sheave Material	Slot Size mm	Weight g	Fixing Hole Centres mm	Fixing Hole Diameter mm	MWL Kg	Breaking Load Kg
A...9	Aluminium Sheave Box - Plain Bearing	8	25	Acetal	44 x 13	21	57	4	300	670
A...9B	Aluminium Sheave Box - Ball Bearing	8	25	Stainless Steel	44 x 13	38	57	4	300	750
A...9H	Aluminium Sheave Box - Plain Bearing	8	25	Alloy	44 x 13	31	57	4	300	670
A...6	Aluminium Sheave Box - Plain Bearing	8	38	Acetal	52 x 15	34	65	4	400	800
A...6B	Aluminium Sheave Box - Ball Bearing	8	38	Stainless Steel	52 x 15	79	65	4	300	750
A...6H	Aluminium Sheave Box - Plain Bearing	8	38	Alloy	52 x 15	48	65	4	400	800



Part Number	Description	Sheave Width mm	Sheave Diameter mm	Sheave Material	Slot Size mm	Weight g	Fixing Hole Centres mm	Fixing Hole Diameter mm	MWL Kg	Breaking Load Kg
A...8	Nylon Sheave Box - Plain Bearing	12	38	Acetal	70 x 22	41	80	4	300	700
A...8A	Nylon Sheave Box - Plain Bearing	12	38	Alloy	70 x 22	65	80	4	350	700
A...15	Low Profile Aluminium Sheave Box - Plain Bearing	6	25	Acetal	38 x 10	12	-	4	300	750
A...15B	Low Profile Aluminium Sheave Box - Ball Bearing	6	25	Stainless Steel	38 x 10	24	-	4	300	750
A...16	Low Profile Aluminium Sheave Box - Plain Bearing	6	38	Acetal	58 x 13	36	-	5	400	900
A...16B	Low Profile Aluminium Sheave Box - Ball Bearing	6	38	Stainless Steel	58 x 13	68	-	5	450	900



Part Number	Description	Sheave Width mm	Sheave Diameter mm	Sheave Material	Slot Size mm	Weight g	Fixing Hole Centres mm	Fixing Hole Diameter mm	MWL Kg	Breaking Load Kg
A...4	Aluminium Sheave Box - Plain Bearing	8	26	Acetal	43 x 17	26	65	4	500	1000
A...5	Aluminium Sheave Box - Plain Bearing	6	36	Acetal	50 x 14	33	70	4	250	400
A...7	Aluminium Double Sheave Box - Plain Bearing	8	26	Acetal	42 x 27	48	65	4	250	500
A...28	Aluminium Sheave Box - Plain Bearing	12	38	Acetal	70 x 22	100	87	6	350	700
A4409	Stainless Steel Sheave Box - Plain Bearing	12	38	Stainless Steel	77 x 19	98	90	6	300	600

Mast Head Sheave Boxes

High quality in house injection moulded nylon 6 mast head crane and sheave box with optional insert moulding to fit larger diameter.



Part Number	Description	Sheave Width mm	Sheave Diameter mm	Sheave Material	Fixing Hole Diameter mm	Weight g
A..94	Mast Head Sheave Box	6	36	Acetal	To Fit 20mm Tube	40
SA..94	Adaptor For A..94	-	-	-	To Fit 35mm Tube	22

Mast Gates & Step



Part Number	Description	Length mm	Width mm	Thickness mm	Fixing Hole Centres mm	Slot / Tenon mm	Weight g
A.480	Optimist Deck Ring	85	75	3	54	-	21.5
A.490	Optimist Mast Ring	-	45	3	-	-	8
A4107	Mast Gate Bar	138	22	2	114	-	45
A4107S	Mast Gate Bar	112	22	2	89	-	37
A4124	Adjustable Mast Step	150	23	2	129	19	94
A9100	Pivoting Mast Step	90	45	-	-	-	173
A9150	Pivoting Mast Heel For Selden Mast	77	37	-	-	-	21
A9151	Pivoting Mast Heel For Paragon Mast	77	41	-	-	-	21
A9152	Pivoting Mast Heel For Super Spars Mast	78	46	-	-	-	21
A9153	Pivoting Mast Heel Adapter For Cumulus Mast Profile 32	87	87	-	-	-	87

Mast Tangs

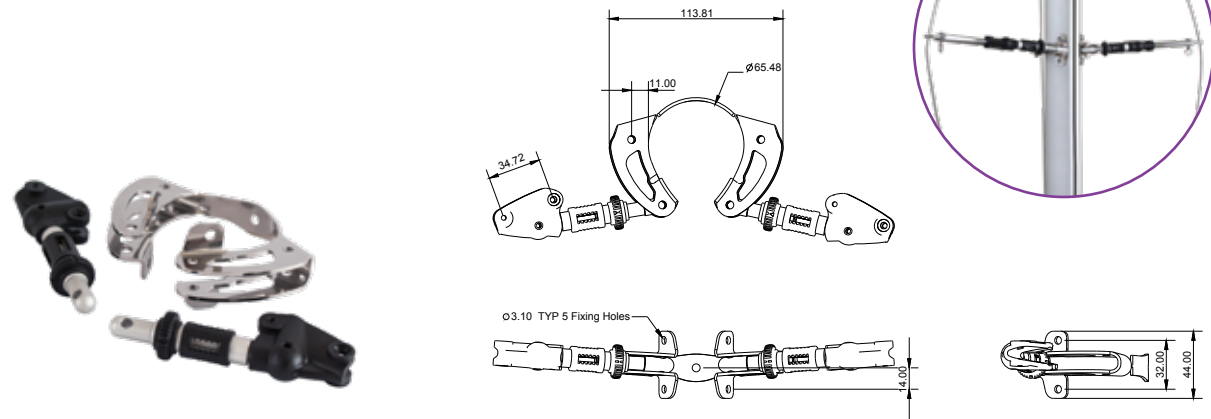
A range of 316 stainless steel rigging tangs for externally mounted shrouds and other take-off points.



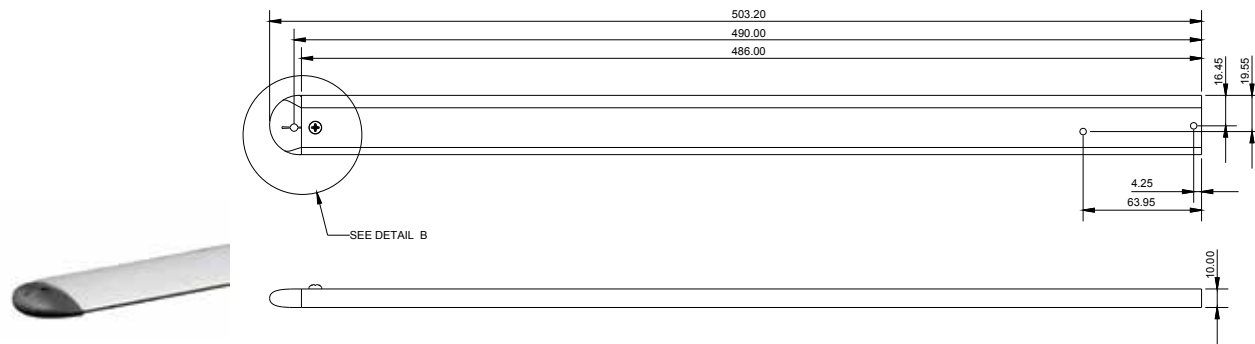
Part Number	Description	Length mm	Width mm	Fixing Hole Centres mm	Fixing Hole Centres mm
A4041	Mast Tang	77	16	5	11
A4141	Mast Tang	104	22	5 - 6	19 - 26
A4141-5	Mast Tang	104	22	5	10 - 25
A4241	Mast Tang	52	16	5	-

Spreader Hardware

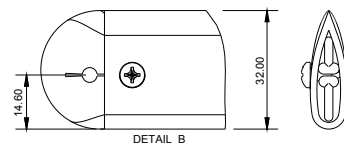
Spreader accessories for fine tuning spreader length and spreader angle to the mast. Also spreader section and spreader end caps.



Part Number	Description	Length mm	Thickness mm	Width mm	Weight g
A4527	Spreader Bracket With Adjustable Barrels	-	-	-	117



Part Number	Description	Length mm	Thickness mm	Width mm	Weight g
A.791	Red Aerofoil Spreader Including End Caps	486	10	32	22
A.791-470SA	Aerofoil Spreader	459	10	32	19
A.791SA	Silver Aerofoil Spreader Including End Caps	486	10	32	22



Part Number	Description	Length mm	Thickness mm	Width mm	Weight g
A.147	Mast Swing Spreader Root	32	-	42	7
A.625	Spreader End Caps To Fit A.791	37	5.5	22	2.1
A4791	Spreader Angle Adjuster	-	-	-	41

Mast Brackets & Boom Straps

Our range of 316 stainless steel mast and boom straps are available in a variety of designs to suit wooden, carbon and aluminium spar's.



Part Number	Description	Fixing Hole Diameter mm	Spar Size mm	Pin/Head Diameter mm	Strap Thickness mm	Weight g
A4413	Kicking Strap Bracket	5	50 - 80	-	1.5	38
SA.312	Kicking Strap Key	5.5	6 - 13	-	-	-
SA.873	Kicking Strap Key Curved	5.5	6 - 13	-	-	-
A4002	Kicking Strap Key	5.5	-	8mm /13mm	1.5	-



Part Number	Description	Fixing Hole Diameter mm	Spar Size mm	Strap Thickness mm	Weight g
A4016	Boom Strap	5	38	1.5	15
A4116	Boom Strap	5	32	1.5	16
A4216	Boom Strap	5	Forms to any shape	1.5	15
A4417	Boom Strap	5	45	2	29
A4599-S	Mast Bracket For Lower	5	60	2	64.8
A4032	Gaff Band	5	44 x 44	1.5	16
A4042	Hound Fitting	5	50 - 80	1.5	22
A4142-6.5	Mast Kicker Bracket	5	50 - 80	1.5	22
A4203	Mast Anchor Plate	5	50 - 80	1.5	15
A4203R	Mast Anchor Plate	5	50 - 80	1.5	16
A4416	Bail Bracket	5	45	1.5	16
A4192	Kicking Strap Lever	5	-	-	132



Part Number	Description	Fixing Hole Diameter mm	Eye Inside Diameter mm	Spar Size mm	Length mm	Maximum Rope Size mm	Weight g
A.932	Pole Launcher	-	-	50	-	-	-
A.132	Spinnaker Pole Mast Bracket Single Eye - Nylon	4	12	35	38	8	12
A.232	Spinnaker Pole Mast Bracket Double Eye - Nylon	4	12	50	45	12	37
A4232	Spinnaker Pole Mast Bracket Double Eye - Stainless	5	15	50-80	36	61	61
A4332	Spinnaker Pole Mast Bracket Single Eye - Stainless	5	25	50	50	37	280

Halyard Exit Plates

Made from durable 316 stainless steel, these products are designed to stop wear on a mast wall from exiting halyards.



Part Number	Description	Fixing Hole Diameter mm	Fixing Hole Centres mm	Exit Slot Length mm	Exit Slot Width mm	Overall Length mm	Overall Width mm
A4383	Halyard Exit Plate Small	5	99	55	12	116	22
A4385	Halyard Exit Plate Medium	5	149	100	18	178	29

Halyard Hook Racks

Made from pressure die cast aluminium or 316 stainless steel, these are a very popular solution for consistent cleating of a main halyard on the mast.



Part Number	Description	Fixing Hole Diameter mm	Increments mm	Number Of Adjustments	Length mm	Maximum Wire Diameter mm	Weight g
A.245	Hook Rack	4	12.5	10	126	5	31
A.345	Hook Rack	4	12.5	5	85	5	15
A4245	Halyard Lock	5	-	-	58	2-3	9

Muscle Box

The classic 8:1 muscle box enclosed purchase system.



Part Number	Description	Length mm	Line Diameter mm	Travel mm	Fixing Hole Diameter mm	MWL kg	Weight g	Sheave Diameter mm
A4233	Muscle Box	307	3	147	5	400	254	23

Mast & Tube Plugs

A range of high quality injection moulded nylon 6 caps for a wide variety of applications.



Part Number	Description	Tube Inside Diameter mm	Tube Outside Diameter mm	Tenon Size mm	Weight g
A.360	End Plug	22	25	-	7
A.363	End Plug	29	32	-	10
A.464	End Cap	41	45	-	14
A.472	End cap	43	46	-	15
A.466	Nylon Mast Heel	47	50	29 x 29	25

Mast Deck Chocks

Made from Nylon and suitable for use with any keel stepped dinghies such as 420, 470, 505 and Fireball's. Our mast deck chocks feature a soft nylon side that can be trimmed with a knife to suit the width of your mast gate. Available in a pack or individually.



Part Number	Description	Thickness mm	Weight g
A.473-1	Mast Deck Chock	1	3
A.473-5	Mast Deck Chock	5	13
A.473-10	Mast Deck Chock	10	21
A.473-C	Mast Deck Chock Curved	10	32
A.473-S	Mast Deck Chock Slotted And Wedged	17 Maximum / 10 Minimum	32
A.473	Pack Of 5 Mast Deck Chocks	-	101

Mast Base Organiser (pair)



Part Number	Description
A4950	Mast Base Organiser - Pair

Mirror Dinghy Mast Fittings

A range of 316 stainless steel fittings originally designed for the Mirror Dinghy, but suitable for many other classes and applications.



Part Number	Description	Fixing Hole Diameter mm	Mast Diameter mm	Boom Size mm	Sheave Width mm	Weight g
A4184	Spinnaker Crane	4	33	-	18	49
A4314	Gooseneck	4 - 5	50 - 70	20+	-	84
A4314R	Gooseneck	4 - 5	50 - 70	43	-	88

Rigging Screws

316 Stainless steel rigging screws.



Part Number	Description	Thread	Max Length mm	Min Length mm	Body Length mm	Fork Width mm	Pin Diameter mm	Breaking Load Kg	Weight g
A6110	Fork / Fork Rigging Screw	M5	180	126	80	8	5	800	51
A6112	Fork / Fork Rigging Screw	M6	200	138	92	8	5	1250	90
A6114	Fork / Fork Rigging Screw	M8	234	158	112	10	6	1300	140
A6116	Fork / Fork Rigging Screw	M10	272	188	120	11	8	2600	240



Part Number	Description	Thread	Max Length mm	Min Length mm	Body Length mm	Fork Width mm	Pin Diameter mm	Breaking Load Kg	Weight g
A6132	Fork / Stud Rigging Screw For 2.5mm Wire	M5	206	152	80	8	5	800	45
A6134	Fork / Stud Rigging Screw For 3mm Wire	M6	232	170	92	8	6	1250	85
A6136	Fork / Stud Rigging Screw For 4mm Wire	M6	242	180	92	8	5	1250	87
A6138	Fork / Stud Rigging Screw For 4mm Wire	M8	275	199	112	19	6	1300	130
A6140	Fork / Stud Rigging Screw For 5mm Wire	M8	281	205	112	10	6	1300	132

Wire Stud Terminal

316 stainless steel threaded swaged stud for wire rigging.



Part Number	Description	Thread	Thread Direction	Min Length mm	Body Length mm	Screw Length mm	Body Diameter mm	NV	Weight g
A6110	Fork / Fork Rigging Screw	M5		180	80	8	5	800	51
A6112	Fork / Fork Rigging Screw	M6		200	92	8	5	1250	90
A6114	Fork / Fork Rigging Screw	M8		234	112	10	6	1300	140
A6116	Fork / Fork Rigging Screw	M10		272	120	11	8	2600	240
A6132	Fork / Stud Rigging Screw For 2.5mm Wire	M5		206	80	8	5	800	45
A6134	Fork / Stud Rigging Screw For 3mm Wire	M6		232	92	8	6	1250	85
A6136	Fork / Stud Rigging Screw For 4mm Wire	M6		242	92	8	5	1250	87
A6138	Fork / Stud Rigging Screw For 4mm Wire	M8		275	112	19	6	1300	130
A6140	Fork / Stud Rigging Screw For 5mm Wire	M8		281	112	10	6	1300	132

Wire Eye Terminal

316 Stainless steel eye terminals for wire rigging.



Part Number	Description	Internal Body Diameter mm	External Body Diameter mm	Eye Diameter mm	Length From Eye Centre mm	Body Length mm	Thickness of Head mm	Weight g
A6175	Stainless Steel Eye Terminal For 2mm Wire	2.2	5.5	5.5	49	32	3	0.9
A6176	Stainless Steel Eye Terminal For 2.5mm Wire	2.8	5.5	5.5	49	32	3	0.8
A6177	Stainless Steel Eye Terminal For 3mm Wire	3.5	6.35	6.5	55	38	4	1.3
A6178	Stainless Steel Eye Terminal For 4mm Wire	4.4	7.5	8.5	67	45	5	2.3

Wire Fork Terminal

316 Stainless steel fork terminal for wire rigging.



Part Number	Description	Internal Body Diameter mm	External Body Diameter mm	Eye Diameter mm	Length From Pin Centre mm	Body Length mm	Fork Width mm	Weight g
A6166	Stainless Steel Fork Terminal For 2.5mm Wire	2.8	5.5	5	58	32	7	2
A6167	Stainless Steel Fork Terminal For 3mm Wire	3.5	6.35	5	65	38	7	2.3
A6168	Stainless Steel Fork Terminal For 3mm Wire	3.5	6.35	6	66	38	9	2.8
A6169	Stainless Steel Fork Terminal For 4mm Wire	4.4	7.5	5	71	45	7	2.7
A6170	Stainless Steel Fork Terminal For 4mm Wire	4.4	7.5	6	73	45	9	3.4

Wire 'T' Terminal

316 Stainless steel 'T' terminal for wire



A4283

Part Number	Description	Overall Length mm	Internal Length mm	Internal Diameter mm	External Diameter mm	Weight g
A4283	T-Terminal Backing Plate	4	-	-	44	2.5
A6185	Stainless Steel 'T' Terminal For 2mm Wire	80	32	2.2	5.5	1.5
A6186	Stainless Steel 'T' Terminal For 2.5mm Wire	80	32	2.7	5.5	1.5
A6187	Stainless Steel 'T' Terminal For 3mm Wire	80	39	3.3	6.35	2
A6188	Stainless Steel 'T' Terminal For 4mm Wire	100	45	4.2	7.5	4

Eye Bolt

Stainless steel eye screw with bolt for rigging.



Part Number	Description	Thread	Overall Length mm	Length From Hole Centre mm	Screw Length mm	Head Diameter mm	Thread Length mm	Breaking Load Kg	Weight g
A6200	Stainless Steel Eye Bolt	M6	57	46	30	13	30	1360	1.8
A6204	Stainless Steel Eye Bolt	M6	87	76	60	13	60	1360	2.6
A6208	Stainless Steel Eye Bolt	M8	66	53	35	15	35	2390	3.8
A6212	Stainless Steel Eye Bolt	M8	110	98	80	15	75	2390	5.5

Rig Spanner

Closed

Open



Part Number Description

A4004 Rig Spanner

Boom's & Levers


We can build a variety of Finn and OK Boom's. Please get in touch to find out more information about fittings and set-ups available.



Part Number	Description
FINN-BOOM	Finn Boom
FINN-LEVER	Vang Lever for Finn & OK Dinghy Booms
MS7272	OK Boom

Boom Slides

A very popular 316 stainless steel slider with loop and screw to attach mainsheet and kicking strap points to a boom.



Part Number	Description	Length mm	Width mm	Thickness mm	Loop ID mm	Loop OD mm	Weight g
A4258	Adjustable Stainless Steel Boom Slide	64	16	2	15	25	61

Spinnaker Pole & Jib Stick Fittings

A range of nylon fittings for use with a variety of spinnaker poles or jib sticks. A4331 & A4431 feature a spring loaded piston trigger to allow for easy open and closing. Designed to fit our spinnaker mast brackets.



Part Number	Description	Fixing Hole Diameter mm	Fixing Hole Centres mm	To Suit Spa Diameter mm	Length mm	Eye Diameter mm	Maximum Rope Size mm	Weight g
A..31	Spinnaker Pole Snap Hook	-	-	22	42	9	8	8
A.131	External Spinnaker Pole Snap Hook	4	33	15	83	9	8	12
A..54	Jib Stick Spike	-	-	22	52	-	-	8
A.154	External Jib Stick Spike	4	35	15	89	-	-	11
A4331	Piston Triggered Spinnaker Pole End	5	70	34	142	13	10	150
A4431	Piston Triggered Spinnaker Pole End	6	37	22	102	8	7	50
A.257	Spinnaker Pole Cleat	5	36	-	102	-	6	18
A.357	Spinnaker Pole Ramp	5	36	-	-	-	6	16
A.602	Spinnaker Pole Tubing 25mm O/D	-	-	25	-	-	-	-

Rudder Stocks and Accessories



Tiller Extensions - Carbon

Allen Carbon Tiller Extensions are light yet responsive, providing you with great feedback from your tiller. We have two styles of Carbon Tiller Extensions to suit your style of sailing. Available in a variety of lengths. The A55.. range has a narrower carbon tube and utilises a foam grip at the end of the extension.



Part Number	Description	Length mm	Length ft	Weight g	Tube Diameter mm
A5506	Carbon Fibre With Soft Grip And Universal Joint	609	2	96	20
A5507	Carbon Fibre With Soft Grip And Universal Joint	710	2.3	103	20
A5512	Carbon Fibre With Soft Grip And Universal Joint	1200	4	147	20
A5514	Carbon Fibre With Soft Grip And Universal Joint	1400	4.10	164	20
A5519	Carbon Fibre With Soft Grip And Universal Joint	1900	6.3	206	20
A5521	Carbon Fibre With Soft Grip And Universal Joint	2100	6.9	226	20
A5525	Carbon Fibre With Soft Grip And Universal Joint	2500	8.3	269	20

RUDDER STOCK & ACCESSORIES



Tiller Extensions - Blue Carbon

The A58.. range features a thicker diameter tube with a peel ply grip finish. This range also incorporates a blue weave into the carbon for a stylish finish.



Part Number	Description	Length mm	Length ft	Weight g	Tube Diameter mm
A5811	Blue Carbon Fibre Tiller Extension	1100	3.6	240	23
A5812	Blue Carbon Tiller Extension With Universal Joint	1200	3.9	250	23
A5814	Blue Carbon Tiller Extension With Universal Joint	1400	4.5	282	23
A5819	Blue Carbon Tiller Extension With Universal Joint	1900	6.2	368	23
A5821	Blue Carbon Tiller Extension With Universal Joint	2100	6.8	402	23
A5825	Blue Carbon Tiller Extension With Universal Joint	2500	8.2	468	23

Tiller Extensions - Aluminium

Our Range of Aluminium Tiller Extensions are lightweight and feature a foam grip to give you the ultimate control. Available in 7 lengths and 7 anodised colours, Red, Blue, Black, Silver, Orange, Purple and Graphite.



Part Number	Description	Suitable For	Length mm	Length ft	Weight g
A.454	Tiller Extension Retaining Clip	All Aluminium Tiller Extensions	-	-	4
A4198	Aluminium Tiller Extension		700	2.29	141
A4898	Aluminium Tiller Extension	Optimist, Cadet	609	2	124
A4298TOP	Aluminium Tiller Extension	Topper	685	2.3	177
A4298	Aluminium Tiller Extension	Laser 2, Laser 3000	762	2.6	147
A4498TOP	Aluminium Tiller Extension	Topper	975	3.2	177
A4498	Aluminium Tiller Extension	470,420, Enterprise, GP14, Pico	915	3	170
A4698	Aluminium Tiller Extension	Laser, RS400, Finn, 29er, RSFeva, RS200	1067	3.6	195
A4798	Aluminium Tiller Extension	B14, RS600, Int.14, Contender	1975	6.6	347

Tiller Extension Universal Joints

Universal joints are for connecting the tiller extension to the tiller. Our range gives you maximum control and feedback whilst still proving reliable over long periods of use.



Part Number	Description	Fixing Hole mm	Bolt Length mm	To Suit	Weight g
A4092	UJ Bolt Fixing For Wooden Tiller	4	32	17mm Maximum Outside Diameter Extension	41
A4098	UJ Base Plate Fixing For Wooden Tiller	4	-	17mm Maximum Outside Diameter Extension	41
A5098	Tiller Flexi-Joint Oval Version	5	-	13mm Minimum Inside Diameter Tube	22
A5198	Tiller Flexi-Joint Square Version	5	-	13mm Minimum Inside Diameter Tube	22
A5196	Saddle To Go Under Flexi-Joint	5	-	25mm Tiller Tube	6
A5197	Saddle To Go Under Flexi-Joint	5	-	32mm Tiller Tube	5

Rudder Stocks

Allen Rudder Stocks have been developed from years of high performance rudder stock designs. The design is based on innovative interlocking precision-machined components, and does away with the chunky pintle and gudgeon brackets that are typically found on pressed aluminium stocks. Instead they are integrated into the main section to give you a clean, cutting-edge look, but it also delivers a 25% weight reduction in comparison to the traditional design. The final assembly is very stiff and robust, making the tiller far more responsive.



Part Number	Description	Between Pintle mm	Blade Thickness mm	Tiller Angle Degrees	Tiller Diameter mm	Tiller Length mm	Weight g
A7000	Rudder Stock	175	25	7	-	-	744
A7001	One Piece Pintle & Gudgeon For Use With A7000	-	-	-	-	-	-
1619	Gorilla Tiller With Aluminium Tiller Extension	-	-	-	31.5	990	-
A7002-1.0	1000mm Tiller For Use With A7000	-	-	-	-	-	-
A7002-1.1	1100mm Tiler For Use With A7000	-	-	-	-	-	-
A7002-1.2	1200mm Tiler For Use With A7000	-	-	-	-	-	-
A7002-1.3	1300mm Tiller For Use With A7000	-	-	-	-	-	-
A7420	420 Rudder Stock	244	19	-	-	-	-
A7470	470 Rudder Stock	226	22	-	-	369	-
A.980	Firefly Rudder Stock	215	38	-	-	-	291

Transom Plates, Pintles & Gudgeons

Our range of Rudder Gudgeons and Pintles are available in varying sizes. Designed for fixing to the rudder blade or rudder stock.



Part Number	Description	Fixing Hole Diameter mm	Overall Width mm	Hole / Pin Diameter mm	Pin Length mm	Transom To Pin Centre mm	Weight g
A.420	Transom Gudgeon	5	131	8	30	39	42
A.485	Laser/ILCA Gudgeon	6	131	10	-	36	34.9
A.520	Transom Gudgeon	5	70	8	-	19	28
A.520-10	Transom Gudgeon	5	70	10	-	16	27
A4020	Transom Gudgeon	5	70	8	-	18	22
A4020S	Transom Gudgeon	5	76	8	-	17	41
A4120	Transom Gudgeon	5	76	8	-	18	17
A4420	Optimist Transom Gudgeon	4	44	6.3	-	-	24
A4840	Rudder Gudgeon	5	62	8	-	31	22



Part Number	Description	Fixing Hole Diameter mm	Overall Width mm	Hole / Pin Diameter mm	Pin Length mm	Transom To Pin Centre mm	Weight g
A.519	Transom Pintle	5	70	7.8	45	19	89
A.519-10	Transom Pintle	5	70	10	57	16	95
A4019	Transom Pintle	4	80	7.8	57	18	67
A4019S	Transom Pintle	4	76	7.8	57	17	112
A4317	Transom Pintle	4	32	7.8	37	18	40
A7001	One Piece Pintle & Gudgeon For A7000	5	69	7.59	-	18	100
A.619	Pintle Packing Spacer	6	71	-	-	-	6

Rudder Retaining Equipment

Our range of acetal and stainless steel rudder retaining equipment holds the rudder in place. Available in a variety of sizes.



Part Number	Description	Fixing Hole Diameter mm	Overall Width mm	Weight g
A..21	Acetal Retaining Clip	4	53	2.5
A..21SS	Stainless Steel Retaining Clip	4	53	5
A.221	Optimist Rudder Retaining Clip	4	51	2.5
A1923	Stainless Steel Retaining Clip With Endcap	5	78	9
A4121	Stainless Steel Retaining Clip	5	78	9

Rudder Wing Nuts



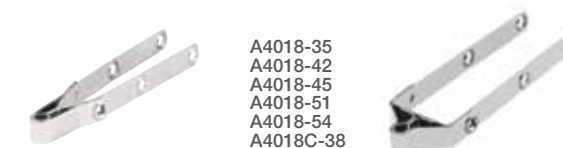
Part Number	Description	Fixing Hole Diameter mm	Overall Width mm	Weight g
A4229-6	Rudder Stock Wing Nut	6	57	21
A4229-8	Rudder Stock Wing Nut	8	57	20
A5229	Wing Nut & Bolt Retainer Plastic	8	65	19
A1785	Laser Tiller Retaining Pin	-	3	3.7

Rudder Pintles & Gudgeons

Available in varying sizes to match rudder head widths, this range of 316 stainless steel fittings are for fixing to the rudder blade or rudder stock.



Part Number	Description	Fixing Hole Diameter mm	Width mm	Hole / Pin Diameter mm	Pin Length mm	Length mm	Distance From Stock To Pin mm	Weight g
A4017-23	Rudder Pintle	4	23	7.8	40	89	18	88
A4017-35	Rudder Pintle	4	35	7.8	40	89	18	101
A4017-42	Rudder Pintle	4	42	7.8	40	89	18	101
A4017-45	Rudder Pintle	4	45	7.8	40	89	18	101
A4017-51	Rudder Pintle	4	51	7.8	40	89	18	101
A4017-54	Rudder Pintle	4	54	7.8	40	89	18	101
A4017-60	Rudder Pintle	4	60	7.8	40	89	18	101
A4017C-38	Rudder Pintle	4	38	7.8	40	89	18	101
A4117L	Rudder Pintle	4	11	7.8	47	70	18	57
A4117S	Rudder Pintle	4	11	7.8	35	70	18	57
A4417L	Optimist Rudder Pintle	5	12	6	35	97	10	48
A4417S	Optimist Rudder Pintle	4	12	6	19	78	10	40



Part Number	Description	Fixing Hole Diameter mm	Width mm	Hole / Pin Diameter mm	Pin Length mm	Length mm	Distance From Stock To Pin mm	Weight g
A4018-23	Rudder Gudgeon	4	23	8	-	135	18	87
A4018-35	Rudder Gudgeon	4	35	8	-	145	18	105
A4018-42	Rudder Gudgeon	4	42	8	-	145	18	105
A4018-45	Rudder Gudgeon	4	45	8	-	140	18	105
A4018-51	Rudder Gudgeon	4	51	8	-	140	18	105
A4018-54	Rudder Gudgeon	4	54	8	-	140	18	105
A4018C-38	Rudder Gudgeon	4	38	8	-	92	18	83
A4106	Rudder Gudgeon	4	38	8	-	120	18	126
A4318	Rudder Gudgeon	4	43	8	-	123	18	123

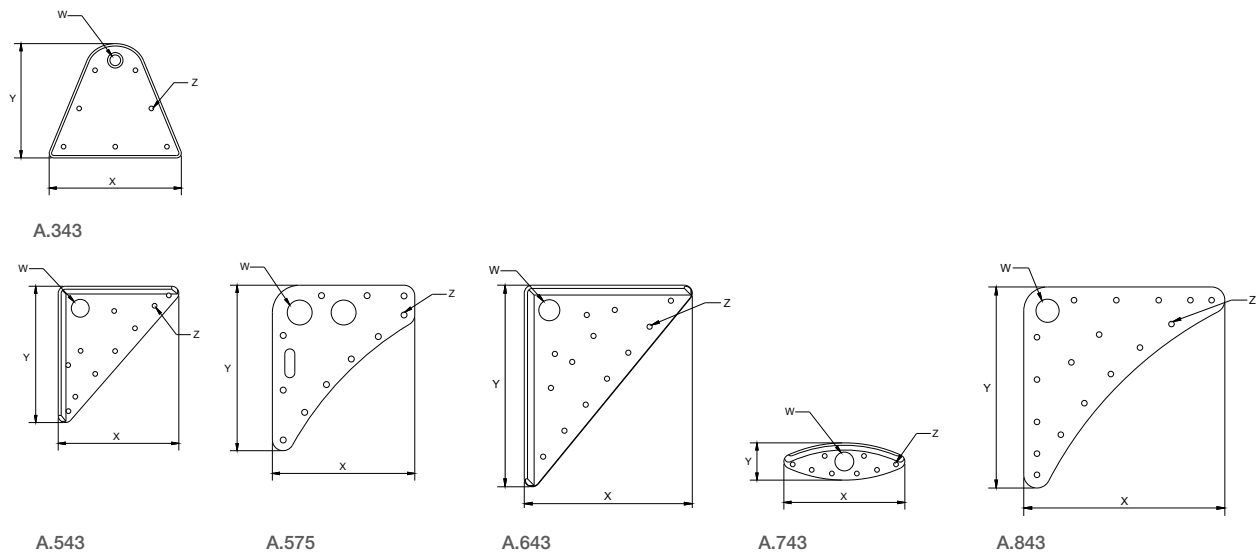
Sailmakers Hardware

SAILMAKERS
HARDWARE



Petticrows Dragon - Credit: Elena Razina

Sail Headboards High quality in-house injection moulded nylon 6 sailmakers headboards.



Part Number	Description	W mm	X mm	Y mm	Z mm	Weight g
A.343	Spinnaker	9	110	95	4	18
A.543	Mainsail	16	110	115	4	14
A.575	Mainsail	21	120	140	5	32
A.643	Mainsail	16	126	150	4	25
A.743	Spinnaker	16	112	32	4	4
A.843	Headboard	17	152	152	4	-

Batten Hardware

In-house injection moulded nylon 6 and high quality 316 stainless steel batten protectors and batten end tensioners.



Part Number	Description	To Suit Batten Width mm	To Suit Batten Thickness mm	To Suit Batten Diameter mm	Length Overall mm	Width Overall mm	Thickness Overall mm	Weight g
A..51	Batten Protector With Stainless Steel Screws	27	5		46	20	10	7
A.101	Batten Compression Adjuster	14	9		71	28	20	8
A.102	Stainless Steel Batten Pocket Connector	-	10		66	18	-	47
A.151	Batten Protector With Brass Screws	34	4		47	10	9	3
A.251	Batten Protector With Brass Screws	60	7		85	15	13	13
A.351	Batten Protector With Stainless Steel Screws	40	5		64	30	10	11
A.419L	Batten Protector - Long	53	10	22	91	78	32	142
A.419S	Baton Protector - Short	42	6	15	70	63	25	80
A.451	Batten Protector With Stainless Steel Screws	25	6		43	34	16	13
A.651	Batten End Cap	14.5	6		33	28	10	20
A.751	Batten End Cap	20	7		20	32	10	6
A.851	Batten Protector With Stainless Steel Screws	23	5		64	35	10	15
A.951-10	Inboard Batten Adjuster	10	4	-	62	35	17	33

Jib Hanks High quality in-house injection moulded nylon 6 jib twist on hanks (Patented). Ideal for connecting the luff of the jib to a forestay.

Part Number	Description	Forestay mm	Maximum Luff Wire mm	Weight g
A.144	Small Jib Hank (Patent No: 881696)	4	5	2.66
A.144B	Small Jib Hank (Patent No: 881696) Black	4	5	2.66
A.244	Large Jib Hank (Patent No: 881696)	5	6	3.75
A.344	Jib Hank With Stainless Steel Screw	4	5	2.66

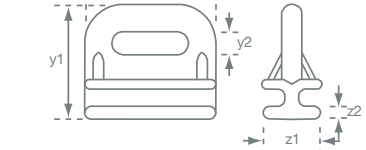
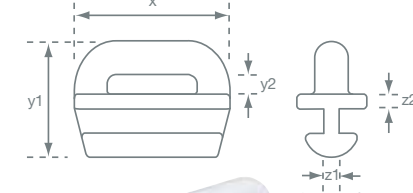
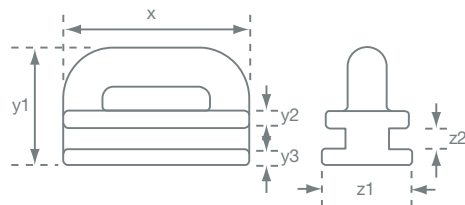
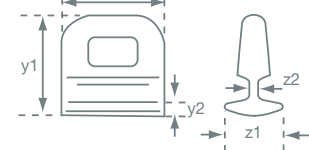
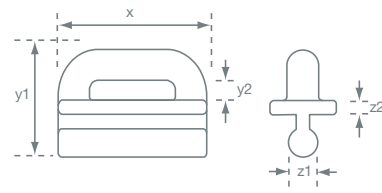
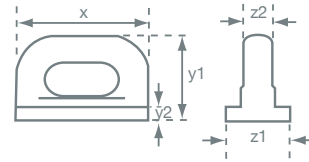
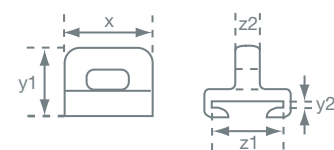
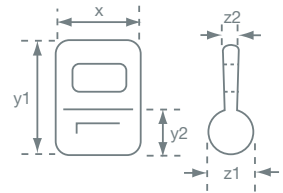
Luff & Cunningham Blocks

Part Number	Description	Sheave Size mm	Weight g	Length mm	Width mm
A.478	Nylon Cunningham Block With Acetal Sheave	22	16	80	30
A.886	Snap-On 3 Piece Nylon Luff Block	16	6	40	16

Sail Track Slides & Slugs

Lightweight in-house injection moulded nylon 6 sail slides and slugs. Designed to be stitched or lashed to fabric applications, such as the luff or foot of a mainsails or to attach the sides of an awning.

Sail slugs are designed to go inside a track and sail slides are designed to wrap around the outside of a track.



Part Number	Description	X mm	Y1 mm	Y2 mm	Z1 mm	Z2 mm	Weight g	Breaking Load kg	Maximum Working Load kg
A..89	Internal Sail Slide	32	21	4	15	7	4	250	100
A..90	Internal Sail Slide	35	23	4	18	9	5	275	100
A..91	Internal Sail Slide	39	25	5	21	8	8	500	150
A..92	Internal Sail Slide	45	27.65	2.84	17.9	4.23	13	300	150
A..95	Internal Sail Slide	45	26.9	3.1	15.3	4.23	12	400	250
A..96	Internal Sail Slide	45	28.4	3.77	21.8	4.23	14	500	300
A.158	Sail Slug	22	29	9	8	3	2	100	50
A.258	Sail Slug	50	40	11	14	3	5	200	50
A.358	Sail Slug	22	30	12	12	3	3	120	50
A.758	Sail Slug	45	35.15	4.23	11.60	5.75	14	500	250
A.958	Sail Slug	45	32.45	4.23	8.90	5.75	12	400	250
A1058	Sail Slug	45	30.75	4.23	7.3	5.75	10	300	250
A1158	Sail Slug	45	33.55	4.23	4.40	5.75	14	600	250
A.289	External Sail Slide	23	20	2	18	6	4	75	40
A.389	External Sail Slide	28	20	3	23	6	5	120	50
A.458	Internal Sail Slide	30	29	4	13.8	3	5	250	100
A.558	Internal Sail Slide	25	22	3	10.5	4	2	150	50
A.558DW	Internal Sail Slide	41	21	3	10	5	-	140	30
A.658	Internal Sail Slide	39	34	4.2	17	3.8	10	350	150

Sail Shackles

High quality in-house injection moulded nylon 6 sail shackles with either screw fixing or snap fixing.



Part Number	Description	Width mm	Length mm	Opening mm	Weight g
A.249	Slide Hank With Screws	52	21	-	4
A.349	Nylon Sail Shackle	13.5	26	4	0.5
A.449	Nylon Sail Shackle	24	45	7	3.5
A.549	Nylon Sail Shackle	28	53	6	6
A.649	Ring	46	60	5	8
A.749	Nylon Sail Shackle	18	36	9	3
A.849	Nylon Sail Shackle	19	39	9	4
A1049	Nylon Sail Shackle	62.15	5.5	15	6

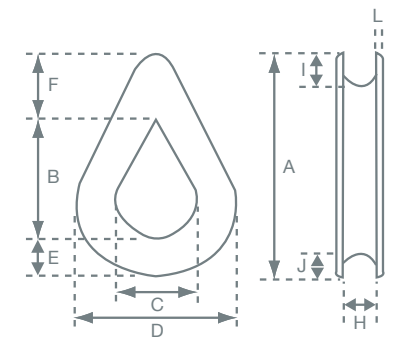
Sail Ring

Strong and light weight, in-house injection moulded nylon 6 sail rings.

Part Number	Description	Inside Diameter mm	Outside Diameter mm	Breaking Load Kg	Weight g
A..56	Nylon Sail Ring	13	22	50	0.3
A.156	Nylon Sail Ring	18	32	90	2.5
A.256	Nylon Sail Ring	22	37.5	130	4.5
A.356	Nylon Sail Ring	28	46.5	200	8

Thimbles

High quality in house injection moulded nylon 6 and 316 stainless steel thimbles for wire and rope suitable for 2mm to 18mm diameters.

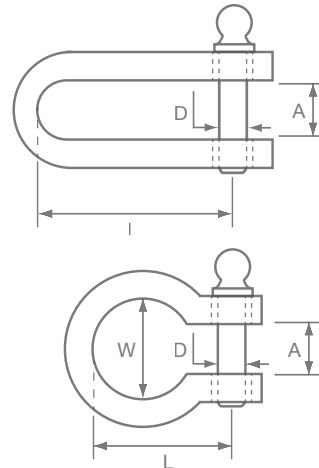


Part Number	Description	A mm	B mm	C mm	D mm	E mm	F mm	H mm	J mm	L mm
A.802	Nylon Thimble For 2mm Rope	12	7.3	4.9	8.8	1.9	2.9	2.1	1.1	0.4
A.803	Nylon Thimble For 3mm Rope	18	10.9	7.3	15.1	2.8	4.3	3.1	1.7	0.6
A.804	Nylon Thimble For 4mm Rope	24	14.5	9.8	17.5	3.8	5.8	4.2	2.3	0.8
A.805	Nylon Thimble For 5mm Rope	30	18.1	12.1	21.9	4.7	7.2	5.0	2.8	0.9
A.806	Nylon Thimble For 6mm Rope	36	21.8	14.6	26.3	5.6	8.6	6.1	3.4	1.1
A.808	Nylon Thimble For 8mm Rope	48	29.0	19.5	35.0	7.5	11.5	8.0	4.5	1.5
A.810	Nylon Thimble For 10mm Rope	60	36.3	24.4	43.8	9.4	14.4	10.0	5.6	1.9
A.812	Nylon Thimble For 12mm Rope	72	43.5	29.3	52.5	11.3	17.3	11.2	6.8	2.3
A.814	Nylon Thimble For 14mm Rope	84	50.8	34.1	61.3	13.1	20.1	13.4	7.9	2.6
A.818	Nylon Thimble For 18mm Rope	108	65.3	43.9	78.8	16.9	25.9	17.2	10.1	3.4
A6010	Stainless Steel Thimble For 2mm Wire Or Rope	20	17	9	12	-	-	3	-	1.0
A6011	Stainless Steel Thimble For 3mm Wire Or Rope	22	18	10	14	-	-	4	-	1.0
A6012	Stainless Steel Thimble For 4mm Wire Or Rope	25	20	11	16	-	-	5	-	1.2
A6013	Stainless Steel Thimble For 5mm Wire Or Rope	26	21	13	18	-	-	6	-	1.2
A6014	Stainless Steel Thimble For 6mm Wire Or Rope	32	27	15	20	-	-	7	-	1.5

Shackles



International Moth - Credit: Mark Jardine



Forged Shackles

A range of forged stainless steel shackles, forged for the highest strength to size ratio.



Part Number	Description	L mm	A mm	D mm	Breaking Load kg
A5404S	D Shackle Extra Small	15	8	4	780
A5405N	D Shackle Narrow	18	6	5	1250
A5405S	D Shackle Small	18	11	5	1250
A5406S	D Shackle Medium	12	13	6	2500

Pressed Shackles

A range of 316 stainless steel pressed shackles designed specifically for dinghies and sportsboats incorporating strength and practicality.



Part Number	Description	L mm	A mm	D mm	W mm	Breaking Load kg	Maximum Working Load kg	Weight g
A4929	Pressed Shackle	9	11	5	-	300	250	6
A4728	Pressed Rigging Link Narrow	10	9	3	11	250	200	3
A4348	Pressed Shackle	14	13	5	14	1000	300	4
A4528	Pressed Rigging Link Narrow	15	11	5	13	900	300	7
A4148	Pressed Shackle	16	9	5	-	1000	500	7

Pressed Shackles



Part Number	Description	L mm	A mm	D mm	W mm	Breaking Load kg	Maximum Working Load kg	Weight g
A4028	Pressed Rigging Link Narrow	16	9	5	-	900	300	7
A4128	Pressed Rigging Link	18	8	5	-	700	300	7
A4428	Pressed Shackle	20	16	5	-	1000	300	7
A4328	Pressed Rigging Link Narrow	21	12	5	14	1000	300	9
A4048	Pressed Shackle	20	13	5	14	800	300	10
A4828	Bayonet Halyard Shackle	25	13	5	-	550	200	17
A1438	Pressed Shackle	27	18	6	19	1000	500	19
A4228	Large Pressed Rigging Link Narrow	29	8	5	13	1300	600	20
A4138	Pressed Rigging Link	31	13	5	-	800	300	14

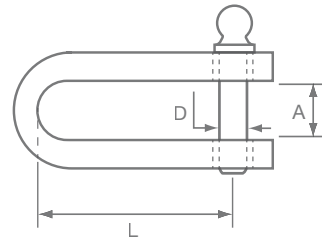
Round Body Shackles A range of 316 stainless steel round body shackles and bow shackles with a forged pin.



Part Number	Description	L mm	A mm	D mm	W mm	Breaking Load kg	Weight g
A-621104	D Shackle With Forged Pin	16	9	4	-	500	6
A-621105	D Shackle With Forged Pin	18	11	5	-	950	13
A-621106	D Shackle With Forged Pin	22	13	6	-	1500	24
A-621108	D Shackle With Forged Pin	32	16	8	-	2500	55
A-621110	D Shackle With Forged Pin	40	20	10	-	4100	109
A-622104	Bow Shackle With Forged Pin	20	8	4	13	500	8
A-622105	Bow Shackle With Forged Pin	23	11	5	17	950	15
A-622106	Bow Shackle With Forged Pin	27	14	6	21	1500	26
A-622108	Bow Shackle With Forged Pin	36	18	8	28	2500	59
A-623104	Long D Shackle With Forged Pin	32	8	4	-	500	9
A-623105	Long D Shackle With Forged Pin	40	10	5	-	950	20
A-623106	Long D Shackle With Forged Pin	48	12	6	-	1500	-
A-623108	Long D Shackle With Forged Pin	60	17	8	-	2500	73
A-623110	Long D Shackle With Forged Pin	80	20	10	-	3000	8
A-624105	Twisted Shackle With Forged Pin	28	10	5	-	950	16
A-624106	Twisted Shackle With Forged Pin	33	13	6	-	1500	28
A-624108	Twisted Shackle With Forged Pin	40	18	8	-	2500	65
A-624110	Twisted Shackle With Forged Pin	44	16	10	-	4100	-

Strip Shackles

A range of 316 stainless steel strip shackles designed for strength and practicality.



A6020
A6022
A6023
A6024



A6027



A6028



A6035
A6037
A6038
A6039
A6040



A6045
A6046
A6047



A6060
A6061
A6062



A6065
A6066
A6067
A6068
A6069



A6075
A6076
A6077
A6078



Part Number	Description	L mm	A mm	D mm	Breaking Load kg	Weight g
A6020	D Shackle With Standard Pin	15	10	4	500	4
A6022	D Shackle With Standard Pin	17	12	5	1000	8
A6023	D Shackle With Standard Pin	24	15	5	1000	15
A6024	D Shackle With Standard Pin	36	16	5	1200	16
A6027	Shackle With Key Pin	24	16	6	1200	16
A6028	D Shackle With Standard Pin	40	15	6	1200	25
A6035	D Shackle With Slotted Pin	15	10	4	500	4
A6037	D Shackle With Slotted Pin	17	12	5	1000	8
A6038	D Shackle With Slotted Pin	24	15	5	1000	14
A6039	D Shackle With Slotted Pin	36	16	5	1200	-
A6040	D Shackle With Slotted Pin	25	12	5	1200	10
A6045	Bow Shackle With Standard Pin	23	15	6	2000	-
A6046	Bow Shackle With Standard Pin	32	17	8	3000	39
A6047	Bow Shackle With Standard Pin	40	21	10	5000	-
A6060	Twisted Shackle With Standard Pin	22	12	5	1200	11
A6061	Twisted Shackle With Standard Pin	33	12	5	1200	15
A6062	Twisted Shackle With Standard Pin	36	14	6	2000	25
A6065	Shackle With Key Pin	17	11	4	600	4
A6066	Shackle With Key Pin	36	15	5	1200	12
A6067	Shackle With Key Pin	26	13	5	1200	15
A6068	Shackle With Key Pin	40	15	6	2000	25
A6069	Shackle With Key Pin	25	14	6	2000	-
A6075	Shackle With Key Pin And Extra Pin & Ring	12	23	5	700	14
A6076	Shackle With Key Pin And Extra Pin & Ring	15	33	5	700	17
A6077	Shackle With Key Pin And Extra Pin & Ring	14	23	6	1500	27
A6078	Shackle With Key Pin And Extra Pin & Ring	20	38	8	2000	49

Tii-Shackles

This simple and easy attachment system will save weight and give you more options for attaching blocks. Tii-Shackles feature an adjustable loop to make attachment quick and easy. Perfectly designed for use with our Tii-On blocks and Pad-Tii ranges.



Part Number	Description	For Use With	Length mm	Diameter mm	Breaking Load kg	Weight g
A15100	Tii-Shackle	A2020Tii	100	1.5	200	0.6
A15110	Tii-Shackle	20 & 30mm Tii-Blocks	110	1.5	360	0.9
A18140	Tii-Shackle	40 & 50mm Tii-Blocks	140	1.8	455	0.9
A20110	Tii-Shackle	A2022Tii	110	2	200	1.3
A25110	Tii-Shackle	A2030Tii	110	2.5	300	4.8
A25120	Tii-Shackle	A2032Tii	120	2.5	300	-
A25130	Tii-Shackle	A2040Tii	130	3	400	-
A40140	Tii-Shackle	A2050Tii	140	4	600	-
A40180	Tii-Shackle	A2060Tii	180	4	600	-

Accessories



ACCESSORIES

Wind Indicators

Aerovane Wind Indicators - Light, responsive and balanced for accurate wind indication.

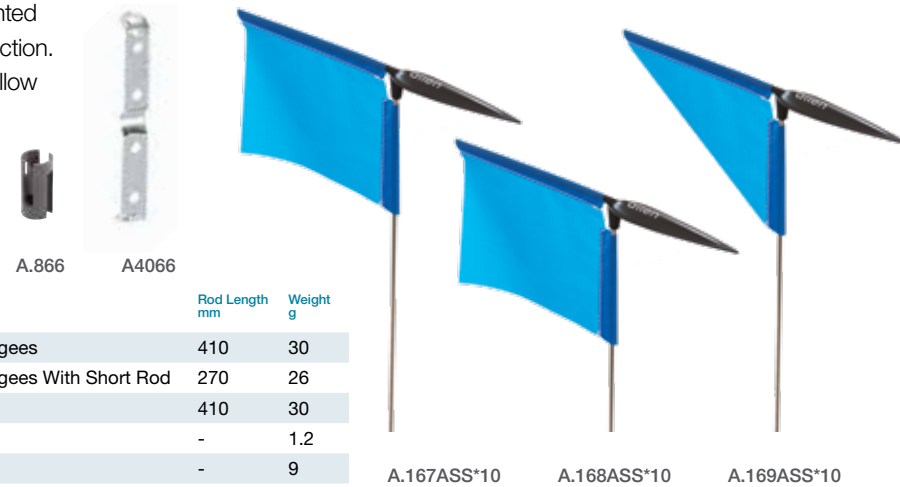
The Aerovane Mast Crane Adaptor is used to pair an A.171 with any tapped or un-tapped keelboat mast.



Part Number	Description	Diameter mm	Length mm	Rod Length mm	Weight g
A..71	Aerovane - Mast Head Mounted	-	190	270	50
A..71M	Aerovane - Lower Mast Mounted	-	250	330	50
A..71R	Aerovane - Rail Mounted	-	190	270	50
A.171	Large Aerovane - Mast Head Mounted	-	250	330	50
A.171M	Large Aerovane - Lower Mast Mounted	-	250	330	50
A.172	Aerovane Adaptor	5/16 UNC	40	-	27

Burgeses

Fabric racing and cruising burgeses. Mounted at the top of a mast to establish wind direction. Available as a pack of 10 in Blue, Red, Yellow and Pink or assorted.



Part Number	Description	Rod Length mm	Weight g
A.167ASS*10	10 Assorted Colours Racing Burgeses	410	30
A.168ASS*10	10 Assorted Colours Racing Burgeses With Short Rod	270	26
A.169ASS*10	10 Assorted Cruising Burgeses	410	30
A.866	Burgee Mast Peg	-	1.2
A.4066	Burgee Clip For Mast	-	9

Inglefield Clips

Pressure die cast aluminium and in house injection moulded nylon clips for fastening two lines or shock cords together, such as flags or spinnaker bags.



Part Number	Description	Length mm	Breaking Load Kg	Max Working Load Kg	Maximum Rope Diameter mm	Thickness mm	Weight g
A..75	Small Clip (Flags)	26	39	20	5	7	2
A..74	Medium Clip (Spinnaker)	36	178	89	6	4	7
A..74M	Moulded Inglefield Clip	36	60	30	6	4	1
A.174	Large Clip (Spinnaker)	50	266	133	10	10	19



Tidy Clips

High quality in house injection moulded nylon 6 tidy clips to store your spinnaker pole, oars or other loose parts securely.

Part Number	Description	Tube Diameter mm	Base Size mm	Overall Height mm	Fixing Hole Size mm	Distance Between Fixings mm	Weight g
A.754	Extra Small Spring Clip	19	19 x 14 x 4	25	3	-	0.5
A.754W	Extra Small White Spring Clip	19	19 x 14 x 4	25	3	-	0.5
A.854	Small Spring Clip	22	22 x 16 x 5	29	3	8	2.5
A.854W	Small White Spring Clip	22	22 x 16 x 5	29	3	8	2.5
A.254	Medium Spring Clip	25	26 x 15 x 4	34	3	9	3
A.254W	Medium White Spring Clip	25	26 x 15 x 4	34	3	9	3
A.354	Large Spring Clip	32	30 x 18 x 4	46	4	11	7
A.354W	Large White Spring Clip	32	30 x 18 x 4	46	4	11	7
A.554	Extra Large Spring Clip	38	35 x 19 x 4	55	4	12	10
A.554W	Extra Large White Spring Clip	38	35 x 19 x 4	55	4	12	10
A.654	Jumbo Spring Clip	44	41 x 22 x 5	64	4	21	16

Nylon Hooks

High quality in-house injection moulded nylon 6 hooks will suit a variety of different applications. Nylon Hooks are available in black, white, grey and orange.



Part Number	Description	Max Rope Diameter mm	Length mm	Weight g
A..59	Nylon 'Handy' Hook	4	38	2
A.259	Nylon 'Handy' Hook	6	47	5
A.359	Nylon Spring Hook	8	53	5
A.559	Nylon 'Handy' Hook	8	62	11
A.659	Nylon Spring Hook	6	53	10

Stainless Steel Hooks

High quality formed and pressed 316 stainless steel hooks suitable for connecting a wide range of products, rope, wire etc. where the part needs to be readily removed either during or after sailing.



Part Number	Description	Max Rope Diameter mm	Length mm	Weight g
A4057	40mm Round Boom Outhaul Hook	-	90	33
A4069	Forged Twisted Hook	12	60	29
A4157	Spinnaker Uphaul Hook	4	54	9
A4159	'S' Hook	10	67	19
A4259	'S' Hook With Keeper	10	67	20
A4369	Hook With Nylon Retainer	6	60	16
A4459	Welded 'S' Hook With Keeper	10	61	27
A4659	Welded 'S' Hook	10	61	27
A4759	Welded 'S' Hook	12	67	32
A4869	Forged Hook	5	52	23
A4869K	Forged Hook With Keeper	5	52	24.1
A4969	Forged Twisted Hook	5	52	23
A731705	Carbine Hook	8	50	-
A731705-E	Carbine Hook With Eye	7.5	50	-
A731706	Carbine Hook	9	60	-
A731706-E	Carbine Hook With Eye	8	60	-
A731707	Carbine Hook	10	70	-
A731707-E	Carbine Hook With Eye	9	70	-
A731708	Carbine Hook	12	80	-
A731708-E	Carbine Hook With Eye	11	80	-
A731709	Carbine Hook	13	90	-
A731709-E	Carbine Hook With Eye	12	90	-
A731710	Carbine Hook	15	100	-
A731710-E	Carbine Hook With Eye	14	100	-
D92058	Twisted Stainless Steel Hook	8	55	25

Trapeze Harness

For many years the Allen development team were keen to design a trapeze system that improves the safety of the sport and reduces the risk of entrapment by the traditional hook-on trapeze harness.

Designer Julian Bethwaite had also been thinking along the same lines and had produced a prototype of the Keyball trapeze system. In conjunction with Bethwaite Design, Allen has developed the concept into a sleek and innovative design, eliminating the hook altogether and creating a safe intuitive solution that really works.

The Allen Keyball system removes the traditional hook from the trapeze harness and replaces it with a moulded plastic socket. The Keyball socket has no sharp edges or protruding parts meaning there is a reduced risk of entrapment for the user. By wearing a Keyball harness you will also limit the chances of damaging the equipment on the boat, users are less likely to rip the sail or pierce the deck/hull of a boat because of the lack of pointy edges.

Banks Sails Radial Keyball Harness - Using sailmaking techniques Banks Sails developed the Radial Harness, probably the most comfortable harness on the market. The load from the Keyball is spread by radial patches completely eliminating creasing around the back. The Radial Harness offers a range of adjustment around the waist, shoulders and groin.

Banks Sails Skiff Keyball Harness - The Skiff Harness is a totally new design. It has been developed alongside top sailors to offer the ultimate racing performance. There is no waist adjustment and therefore it is lean of rope and webbing straps. This harness is ideal for the modern high-performance dinghy crew and is exceptionally light and comfortable.

* Harness does not include Keyball handle

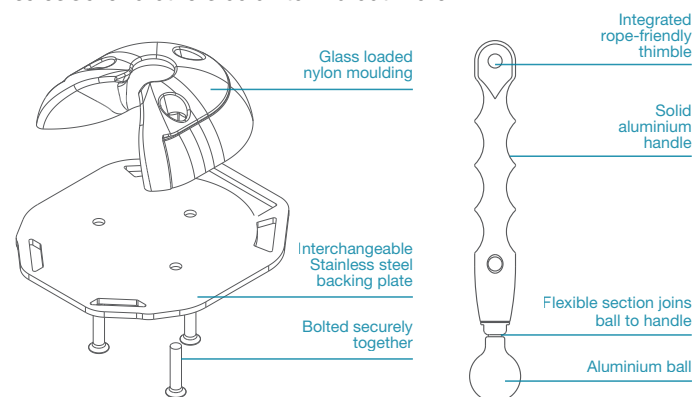
Demo Harness are available upon request. Please contact sales@allenbrothers.co.uk to find out more.



Radial Keyball Harness



Skiff Keyball Harness



Part Number	Description	Widest Point mm	Leg Circumference mm
KEYBALLHARNESS-RAD-S	Radial Keyball Harness Small	92	57
KEYBALLHARNESS-RAD-M	Radial Keyball Harness Medium	1020	67
KEYBALLHARNESS-RAD-L	Radial Keyball Harness Large	110	72
KEYBALLHARNESS-SKIFF-S	Skiff Keyball Harness Small	98	64
KEYBALLHARNESS-SKIFF-M	Skiff Keyball Harness Medium	102	66
KEYBALLHARNESS-SKIFF-L	Skiff Keyball Harness Large	108	70
KEYBALLHARNESS-SKIFF-XL	Skiff Keyball Harness Extra Large	116	76



Wide opening allows for easy target area



3D profile guides the ball in



Once located it is secure in a secondary recess

Keyball Trapeze Equipment

Various accessories for trapeze wires and harnesses



Part Number	Description	Maximum Rope Diameter mm	Webbing Size mm	Length mm	Weight g
A4043	Keyball Trapeze System Handle (Pair)	5	-	160	141
A4043C	Keyball Trapeze System - Moulding	-	-	-	73
A4043-KIT	Keyball Trapeze System - Complete With 2 Handles	-	45/20	-	456
A4043N	Keyball Trapeze System - Moulding With Narrow B/P	-	45/20	-	305
A4043N-1	Keyball Trapeze System - Moulding With Square B/P	-	-	-	292
A4043W	Keyball Trapeze System - Moulding With Wide B/P	-	45/20	-	406
A4043W-1	Keyball Trapeze System - Moulding With Wire Buckle	6	45	-	372
A4043W-KIT	Keyball Trapeze System - Complete With 2 Handles	-	45/20	-	-

Trapeze Hardware

A carefully designed range of accessories for trapeze and harness systems.



Part Number	Description	Maximum Rope Diameter mm	Webbing Size mm	Length mm	Maximum Wire Diameter mm	Weight g
A..60	Nylon Trapeze Handle 'T' Type	3	-	54	3	13
A..62	Trapeze Disc Handle	4	-	-	-	-
A4040	Trapeze Harness Buckle With Strap Adjusters	-	40	-	-	170
A4161LZ	Narrow Trapeze Ring With Plain Bearing Block	6	-	133	-	54
A4261	Wide Trapeze Ring With 20mm B/B Block And S/S Ring	2.5 - 6	-	137	-	68
A4461	5mm Wire Trapeze Ring	-	-	-	-	64
A4461-6	6mm Wire Trapeze Ring	-	-	-	-	90
A6180	Stainless Steel Trapeze Terminal With Eye	1 - 3	-	-	-	-
C253	Clam Cleat Trapeze M6 Ali Silver	4 - 8	-	89	-	46
C253A	Clam Cleat Trapeze M6 Anodized	4 - 8	-	89	-	46

Ball Stoppers

High quality in-house injection moulded polypropylene ball stoppers suitable for numerous applications. Available in 4 sizes and 8 colours red, blue, green, purple, yellow, black, white and grey. Also available to order in assorted colour packs.



A..22
A.222
A.122
A.322

A.271

Part Number	Description	Line Diameter mm	Size mm
A..22	Small Ball Stopper	4	13
A.222	Medium Ball Stopper	5	19
A.122	Large Ball Stopper	7	25
A.322	Extra Large Ball Stopper	8	31
A.271	Black Tube Rope Stopper	5	17

Boat Hook



Part Number	Description	Diameter mm	Weight g
A.361	Moulded Boat Hook End	22	16.8

Rowlocks & Sockets

High quality in-house injection moulded nylon 6 rowlocks to suit oars from 38mm to 45mm. Side and centre mount rowlock sockets in black or white.



Part Number	Description	To Suit Oar Diameter mm	Fixing Hole Size mm	Rowlock Diameter mm	Fixing Hole Centres mm	Weight g	Colour
A.290	Small Nylon Rowlock	38	-	19	-	33	Black
A.290W	Small Nylon Rowlock - white	38	-	19	-	33	White
A.390	Large Gooseneck Nylon Rowlock	45	-	19	-	40	Black
A.390W	Large Gooseneck Nylon Rowlock - white	45	-	19	-	40	White
A.291	Small Nylon Rowlock Socket	-	4	19	49	11	Black
A.291W	Small Nylon Rowlock Socket - white	-	4	19	49	11	White
A.391	Medium Nylon Rowlock Socket	-	4	19	49	20	Black
A.391W	Medium Nylon Rowlock Socket - white	-	4	19	49	20	Black
A.391SC	Open Ended Nylon Rowlock Socket	-	4	19	49	20	Black
A.392	Side Mount Nylon Rowlock Socket	-	4	19	37 & 55	35	Black
A.392W	Side Mount Nylon Rowlock Socket - white	-	4	19	37 & 55	35	White
A.393	Rowlock Socket Wedge For A.392	-	4	-	37 & 55	8	

Toe Strap Plates & Buckles

Fixing plates for toe straps and stainless steel buckles for straps



A..99B
A..99G
A..99LG
A..99RB-CAN
A..99W

A.199

A..38
A..38W

A.138

A.238

Part Number	Description	Fixing Hole Diameter mm	Length mm	Width mm	Thickness mm	Distance Between Fixing Hole mm	Inside Length mm	Weight g
A..99B	Toe Strap Plate Black	5	47	19	5	28	-	3.5
A..99G	Toe Strap Plate Grey	5	47	19	5	28	-	3.5
A..99LG	Toe Strap Plate Light Grey	5	47	19	5	28	-	3.5
A..99RB-CAN	Toe Strap Plate Royal Blue	5	47	19	5	28	-	3.5
A..99W	Toe Strap Plate White	5	47	19	5	28	-	3.5
A.199	Toe Strap Plate White	5	50	18	5.25	34	-	5
A..38	Lacing Strap Small	5	58	16	5	43	26	4
A..38W	Lacing Strap Small White	5	58	16	5	43	26	4
A.138	Lacing Strap Medium	5	66	16	5	51	35	5
A.238	Lacing Strap Large	5	74	16	5	58	48	7



A4030

A4050

A4099

Part Number	Description	Fixing Hole Size mm	Length mm	Width mm	Thickness mm	Distance Between Fixing Hole mm	Inside Length mm	Weight g
A4030	Toe Strap Buckle Stainless Steel	-	57	38	2	-	-	24
A4050	Buckle And Fixing Plate	5	73	57	2	38 x 25	44	48
A4099	Toe Strap Plate Stainless Steel	5	51	16	2	28	-	9.5

Splicing Kit



4MMS.NEEDLE
5.5MMS.NEEDLE

S034L

Part Number	Description	Length mm	Diameter mm	Maximum Rope Diameter mm
4MMS.NEEDLE	4mm Splicing Needle	115	5	4
5.5MMS.NEEDLE	5.5mm Splicing Needle	120	6	5.5
S034L	Small Splicing Needle	170	2.5	-

Race Packs



Laser - Credit: Tim Olin

Allen Race Packs are an easy and class legal way to upgrade your control systems on your Laser ® dinghy. Go to <https://www.youtube.com/watch?v=fgveQKkOQI4&t> to watch the instructional rigging guide or scan the QR codes below.



A8331

Part Number Description

A8331 Dinghy Kicker Pack

A8332 Dinghy Downhaul And Outhaul Pack



A8332

Parts Included

SA.873, A5861, A4380F-HLK, A2023, Rope

A2020, A2021HK, A5849, A5848, A.222W, A..22W, Rope

Spare & Replacement Parts



A.186

A4903

ARBALL1/4D

ARBALL/4T
ARBALL5T

ASP2158L
ASP2158R
ASP2224L
ASP2224R

SA4374

SA4574

Part Number	Description	For Use With	Width mm	Length mm	Fixing Hole Centres mm	Weight g	Outside Diameter mm	Inside Diameter mm
A.186	Sheave Cheek	A..86	30	32	14 x 25	4	600	1
A4903	Forestay Shield	-	-	-	-	15.4	74	20
ARBALL1/4D	Delrin Balls	Mainsheet Jammers	-	-	-	-	6.35	-
ARBALL1/4T	Torlon Balls	Low & Maxi Traveller Cars	-	-	-	-	6.35	-
ARBALL5T	Torlon Balls	Mini Traveller Cars	-	-	-	-	5	-
ASP2158L	Left Side Replacement Spring	A..76	-	-	-	0.5	-	-
ASP2158R	Right Side Replacement Spring	A..76	-	-	-	0.5	-	-
ASP2224L	Left Side Replacement Spring	A..77	-	-	-	0.5	-	-
ASP2224R	Right Side Replacement Spring	A..77	-	-	-	0.5	-	-
SA4374	Fairlead For Sliding Cars	A4274 Range	-	-	-	29	74 x 25	-
SA4574	Plunger Pin & Spring For Sliding Fairleads	A4274, A4474	-	-	-	-	5	-

Vent Cover

Skin Fitting Vent Cover



A4037

Part Number	Description	Fixing Hole Diameter mm	Fixing Hole Centres mm	Height mm	Length mm	Width mm
A4037	Skin Fitting Vent Cover	4	48 x 43	15	56	18.3

Product Code Index

PRODUCT CODE INDEX

PRODUCT CODE	PAGE	PRODUCT CODE	PAGE	PRODUCT CODE	PAGE
A..26-2	42	A..93LZ	28	A.181	41
A..26-260	42	A..94	63	A.185	32
A..26-3	42	A..95	78	A.186	91
A..26-4	42	A..96	78	A.193	35
A..28	62	A..99B	89	A.194	35
A..30	43	A..99G	89	A.199	89
A..31	70	A..99LG	89	A.215	32
A..38	89	A..99RB-CAN	89	A.216	32
A..38W	89	A..99W	89	A.217	32
A..39	55	A.101	77	A.219	32
A..40	55	A.102	77	A.220	32
A..40-12	55	A.119	32	A.221	74
A..45	32	A.120	61	A.222	88
A..46	32	A.122	88	A.223	54
A..51	77	A.123	54	A.226-1	43
A..52	52	A.124	41	A.226-1000	43
A..54	70	A.129	55	A.226-2	43
A..56	79	A.130	41	A.226-222Black	43
A..59	85	A.131	70	A.226-230	43
A..60	87	A.132	65	A.226-330	43
A..61	47	A.134	53	A.226-5	43
A..62	87	A.134RB-CAN	53	A.229	55
A..71	83	A.135	47	A.232	65
A..71M	83	A.136	43	A.237	48
A..71R	83	A.137	48	A.238	89
A..74	84	A.138	89	A.239	55
A..74M	84	A.139	55	A.244	77
A..75	84	A.144	77	A.245	66
A..76	34	A.144B	77	A.246	41
A..76-496	34	A.146	41	A.248	47
A..77	34	A.147	64	A.249	79
A..77-497	34	A.148	47	A.251	77
A..80A	32	A.150	32	A.252	52
A..80B	32	A.150-6	32	A.253	49
A..81	41	A.151	77	A.254	84
A..82-10	23	A.152	52	A.254W	84
A..82-14	23	A.153	53	A.256	79
A..82-8	23	A.154	70	A.257	70
A..83	32	A.155	54	A.258	78
A..84	32	A.156	79	A.259	85
A..85	32	A.158	78	A.271	88
A..86-6	32	A.165A	28	A.278	28
A..86-8	32	A.165LZ	28	A.278-74	28
A..87-15	23	A.165PS	28	A.278-74BB	28
A..87-20	23	A.167ASS*10	84	A.278BB	28
A..87-25	23	A.168ASS*10	84	A.281	41
A..87-30	23	A.169ASS*10	84	A.289	78
A..87-35	23	A.171	83	A.290	88
A..87-50	23	A.171M	83	A.290W	88
A..87-75	23	A.172	83	A.291	88
A..87-90	23	A.174	84	A.291W	88
A..89	78	A.178	28	A.293	35
A..90	78	A.178-74	28	A.294	35
A..91	78	A.178-74BB	28	A.302	43
A..92	78	A.178BB	28	A.303	43
A..93	28	A.179BBO	28	A.315	32

PRODUCT CODE	PAGE	PRODUCT CODE	PAGE	PRODUCT CODE	PAGE
A.322	88	A.454	72	A.619	74
A.323	54	A.455	30	A.622	25
A.323W	54	A.458	78	A.625	64
A.326-1	43	A.464	66	A.626	42
A.326-2	43	A.466	66	A.626-1	42
A.329	55	A.471	61	A.637	48
A.337	48	A.471TOP	61	A.638	48
A.337-BAG	48	A.472	66	A.643	76
A.338	48	A.473	67	A.649	79
A.339	55	A.473-1	67	A.651	77
A.343	76	A.473-10	67	A.654	84
A.344	77	A.473-5	67	A.656	42
A.345	66	A.473-C	67	A.656-UNANOD	42
A.346	41	A.473-S	67	A.658	78
A.349	79	A.478	77	A.659	85
A.351	77	A.480	63	A.676	34
A.354	84	A.481	41	A.676-496	34
A.354W	84	A.485	74	A.677	34
A.356	79	A.488	35	A.677-497	34
A.357	70	A.490	63	A.681	41
A.358	78	A.493	35	A.726-4	43
A.359	85	A.493-993	35	A.726-5	43
A.360	66	A.496	35	A.736	43
A.361	88	A.497	35	A.738	43
A.363	66	A.519	74	A.743	76
A.378	28	A.519-10	74	A.749	79
A.378BB	28	A.520	74	A.751	77
A.381	41	A.520-10	74	A.754	84
A.386	32	A.526-1	42	A.754W	84
A.389	78	A.526-2	42	A.758	78
A.390	88	A.526TA	42	A.762	35
A.390W	88	A.535	47	A.781	41
A.391	88	A.536	43	A.791	64
A.391SC	88	A.537	48	A.791-470SA	64
A.391W	88	A.537-BAG	48	A.791SA	64
A.392	88	A.538	48	A.793	35
A.392W	88	A.539	55	A.802	79
A.393	88	A.539-14	55	A.803	79
A.396	35	A.539A	56	A.804	79
A.397	35	A.543	76	A.805	79
A.402	43	A.549	79	A.806	79
A.403	43	A.554	84	A.808	79
A.419L	77	A.554W	84	A.810	79
A.419S	77	A.558	78	A.812	79
A.420	74	A.558DW	78	A.814	79
A.423	54	A.559	85	A.816-0.9	43
A.424	54	A.575	76	A.816-1500	43
A.435	47	A.581	41	A.816-3.0	43
A.439	55	A.588	35	A.818	79
A.439-14	55	A.593	35	A.819-0.9	43
A.439A	56	A.593-893	35	A.819-3.0	43
A.449	79	A.597	35	A.824	42
A.450	30	A.602	70	A.826-2	43
A.450A	30	A.612	32	A.826-3	43
A.451	77	A.613	32	A.826-5	43
A.452	52	A.614	32	A.826B-1.5	43
				A.826B-3.0	43
				A.843	76
				A.849	79
				A.851	77
				A.854	84
				A.854W	84
				A.866	84
				A.886	77
				A.893	35
				A.916	43
				A.924	42
				A.932	65
				A.936	43
				A.937	43
				A.940	43
				A.946	43
				A.951-10	77
				A.958	78
				A.980	73
				A.993	35
				A1034	30
				A1049	79
				A1058	78
				A1086	32
				A1086B	32
				A1086SP	32
				A1086SP-B	32
				A1158	78
				A1231	54
				A1232	54
				A1375	31
				A1375-A4102	31
				A1375-S	31
				A1376	31
				A1377	31
				A1378	31
				A1396	35
				A1397	35
				A1438	81
				A15100	82
				A15110	16&82
				A15110	22
				A1737	48
				A1785	75
				A18140	16&82
				A18140	22
				A1837	48
				A1886	32
				A1923	74
				A1937	48
				A20110	82
				A2020	6
				A2020-4035	7
				A2020-4036	7
				A2020HL	13
				A2020HL	6

PRODUCT CODE	PAGE	PRODUCT CODE	PAGE	PRODUCT CODE	PAGE	PRODUCT CODE	PAGE
A2020HL-4036	13	A2026-PROFIX	9	A2036M	15	A2060	20
A2020HL-4036	6	A2027	9	A2036P	11	A2060C	20
A2020LZ	7	A2027NB	9	A2036-PROFIX	16	A2060Tii	20
A2020P	11	A2028	8	A2037	16	A2060Tii	22
A2020P-4035	11	A2028HL	8	A2038	16	A2062	20
A2020P-4036	11	A2028HL	13	A2038HL	13	A2063	20
A2020PLZ	11	A2029	8	A2038HL	16	A2064	21
A2020PSC	11	A2030	14	A2039	16	A2065	21
A2020PSHK	11	A2030-40	16	A2039-CAM	15	A2066	21
A2020PTii	11	A2030F	14	A2039FIDDLE	15	A2067	21
A2020SC	7	A2030F-873	14	A2040	17	A2068	21
A2020SHK	7	A2030HL	13	A2040-4222ASS	17	A2068	25
A2020TII	6	A2030HL	14	A2040B	17	A2069	21
A2020TII	22	A2030HLF	13	A2040HK	17	A2069B	21
A2020XHL-BLACK	7	A2030HLF	14	A2040LZ	17	A2077	41
A2020XHL-BLACK	7&12	A2030LZ	15	A2040SC	17	A2121	9
A2020XHL-BLUE	7	A2030P	11	A2040SC-676	18	A2121P	11
A2020XHL-BLUE	7&12	A2030PF	11	A2040SC-677	18	A2122	9
A2020XHL-GOLD	7	A2030PF-873	11	A2040Tii	17	A2123	9
A2020XHL-GOLD	7&12	A2030PLZ	11	A2040Tii	22	A2126M	8
A2020XHL-ORANGE	7	A2030PSC	11	A2040XHL-BLACK	12&18	A2131	16
A2020XHL-ORANGE	7&12	A2030PSHK	11	A2040XHL-BLUE	12&18	A2132	16
A2020XHL-PURPLE	7	A2030SC	15	A2040XHL-GOLD	12&18	A2133	16
A2020XHL-PURPLE	7&12	A2030SHK	15	A2040XHL-ORANGE	12&18	A2133-677	16 & 39
A2020XHL-SILVER	7	A2030Tii	14	A2040XHL-PURPLE	12&18	A2133-77	16 & 39
A2020XHL-SILVER	7&12	A2030Tii	22	A2040XHL-SILVER	12&18	A2136M	15
A2021	6	A2030TiiHL	13	A2041	18	A2140	24
A2021F	7	A2030TiiHL	14	A2041-676	18	A2150	24
A2021HK	7	A2030XHL-BLACK	12&14	A2041-677	18	A2150C	24
A2021P	11	A2030XHL-BLUE	12&14	A2041-677HK	18	A2150FIDDLE	24
A2021PHK	11	A2030XHL-GOLD	12&14	A2042	18	A2151	25
A2021SC	7	A2030XHL-ORANGE	12&14	A2043	19	A2159	21
A2022	8	A2030XHL-PURPLE	12&14	A2043-676	19	A2159	25
A2022F	8	A2030XHL-SILVER	12&14	A2043-677	19	A2160	24
A2022HL	8	A2031	15	A2044	19	A2160C	24
A2022HL	13	A2031F	15	A2044-676	19	A2160FIDDLE	24
A2022LZ	8	A2031P	11	A2044-677	19	A2160WAVE	25
A2022P	11	A2031SC	15	A2044-677HK	19	A2161	25
A2022SC	8	A2031XHL-873	15	A2045	18	A2169	21
A2022Tii	8	A2032	15	A2046	17	A2169	25
A2022Tii	22	A2032HL	13	A2047	18	A2345	24
A2023	8	A2032HL	15	A2050	20	A2360	24
A2023HK	8	A2032P	11	A2050C	20	A2360WAVE	25
A2023P	11	A2032Tii	15	A2050Tii	20	A25110	82
A2024	9	A2032TII	22	A2050Tii	22	A25120	82
A2024-677	9	A2033	15	A2052	20	A25130	82
A2024F	9	A2033P	11	A2053	20	A3086	32
A2024HL	9	A2034	15	A2054	21	A3210	60
A2024HL	13	A2034-676	16	A2054B	18	A3211	60
A2024P	11	A2034HL	13	A2054HK	21	A3212	60
A2025	9	A2034HL	15	A2055	21	A3302	45
A2025-677	9	A2034P	11	A2056	21	A3342	32
A2025P	11	A2035	16	A2057	21	A3342XHL	32
A2026	6	A2035-676	16	A2058	21	A3343	32
A2026M	6	A2035P	11	A2058	25	A4001E	47
A2026P	11	A2036	15	A2059	21	A4001-EPS	47

PRODUCT CODE	PAGE	PRODUCT CODE	PAGE	PRODUCT CODE	PAGE	PRODUCT CODE	PAGE
A4001S	47	A4043N	87	A4155KIT	54	A4288	50
A4001W	47	A4043N-1	87	A4157	85	A4289	44
A4002	65	A4043W	87	A4159	85	A4296	27
A4003	49	A4043W-1	87	A4160	60	A4298	72
A4003F	49	A4043W-KIT	87	A4161LZ	87	A4298TOP	72
A4003H	49	A4048	81	A4165	28	A4301	29
A4003M	49	A4050	89	A4165E	28	A4302	61
A4003MS	49	A4052	52	A4165SC	28	A4314	67
A4004	69	A4057	85	A4171	47	A4314R	67
A4009C	61	A4066	84	A4171S	47	A4317	74
A4009K	61	A4068	27	A4172	58	A4318	75
A4009K-10	61	A4069	85	A4178	29	A4328	81
A4009LZ	61	A4073	30	A4178E	29	A4331	70
A4009LZ-10	61	A4073	30	A4181	29	A4332	65
A40140	82	A4073	30	A4182	52	A4334	34
A4016	65	A4073	50	A4184	67	A4339	55
A4017-23	75	A4077	34	A4192	65	A4348	80
A4017-35	75	A4078	29	A4196	27	A4354	47
A4017-42	75	A4080	29	A4198	72	A4369	85
A4017-45	75	A4081	29	A4202	61	A4371	49
A4017-51	75	A4086	32	A4203	65	A4371L	49
A4017-54	75	A4086B	32	A4203R	65	A4372	58
A4017-60	75	A4088	30	A4216	65	A4376	50
A4017C-38	75	A4088	50	A4222	61	A4377	50
A40180	82	A4088-6.5	50	A4225	47	A4379	26
A4018-23	75	A4089	47	A4228	81	A4379HK	26
A4018-35	75	A4092	73	A4229-6	75	A4379HK-90	27
A4018-42	75	A4093	29	A4229-8	75	A4382	52
A4018-45	75	A4098	73	A4232	65	A4383	66
A4018-51	75	A4099	89	A4233	66	A4385	66
A4018-54	75	A4101	16	A4239	55	A4388	30
A4018C-38	75	A4102	61	A4241	63	A4388	30
A4019	74	A4106	75	A4244	45	A4388	30
A4019S	74	A4107	63	A4245	66	A4388	50
A4020	74	A4107S	63	A4246	41	A4389	44
A4020S	74	A4111	16	A4251	9	A4389J	44
A4024	58	A4114-1	61	A4252	52	A4389M	44
A4025	47	A4114-2	61	A4255	54	A4389Tii	44
A4025S	47	A4114-3	61	A4258	70	A4393	27
A4028	81	A4116	65	A4259	85	A4393HK	27
A4030	89	A4117L	75	A4260	60	A4396	27
A4032	65	A4117S	75	A4260-1	60	A4401	29
A4033	30	A4120	74	A4260-2	60	A4409	62
A4034	30	A4121	74	A4261	87	A4413	65
A4035	51	A4124	63	A4265	28	A4416	65
A4035-6	51	A4128	81	A4272	59	A4417	65
A4036	51	A4138	81	A4272-148	59	A4417L	75
A4037	91	A4139	55	A4272S	59	A4417S	75
A4038	51	A4141	63	A4274	46	A4420	74
A4039	55	A4141-5	63	A4274-76	46	A4428	81
A4040	87	A4142-6.5	65	A4274TZ	46	A4431	70
A4041	63	A4146	41	A4276	50	A4439	55
A4042	65	A4148	80	A4279	26	A4439-14	55
A4043	87	A4152	52	A4282	52	A4452	52
A4043C	87	A4153	53	A4283	69	A4459	85
A4043-KIT	87	A4155	54	A4288	30	A4461	87

PRODUCT CODE	PAGE	PRODUCT CODE	PAGE	PRODUCT CODE	PAGE	PRODUCT CODE	PAGE
A4461-6	87	A4596	27	A4903	91	A5166DUAL	37
A4466	38	A4599-S	65	A4904	61	A5166DUAL-ASS	37
A4466Straight	38	A4601	29	A4904LZ	61	A5166FIDDLE	36
A4471	49	A4659	85	A4905	61	A5196	73
A4472	58	A4665	35	A4929	80	A5197	73
A4474	46	A4668	26	A4950	67	A5198	73
A4474-76	46	A4669	26	A4968	9	A5229	75
A4475	31	A4670	26	A4969	85	A5266	37
A4476	34	A4671	49	A4972	58	A5266ASS	37
A4479	27	A4671XT	49	A4978	16	A5266COMP	37
A4488	30	A4671XT-FT	49	A4979	27	A5266COMP-ASS	37
A4488	30	A4673	49	A4986-6	32	A5404S	9
A4488	50	A4675	35	A4986-8	32	A5404S	80
A4489	45	A4679	27	A4988	39	A5405N	80
A4489J	45	A4693	27	A4988X	39	A5405S	16
A4489M	45	A4696	27	A4993	27	A5405S	80
A4489-SOLO	45	A4698	72	A5005	59	A5406S	80
A4489Tii	45	A4710	9	A5006	59	A5506	71
A4490	46	A4728	80	A5014	30	A5507	71
A4491	46	A4736	43	A5014	51	A5512	71
A4491-1.2	46	A4759	85	A5014F	30	A5514	71
A4496	27	A4761	35	A5014F	51	A5519	71
A4498	72	A4766	38	A5015	30	A5521	71
A4498TOP	72	A4766Straight	38	A5015	30	A5525	71
A4501	29	A4771	35	A5015	30	A5811	72
A4502	9	A4772	59	A5015	51	A5812	72
A4505	9	A4772DR	59	A5015F	30	A5814	72
A4512	49	A4772DR-KIT	59	A5015F	30	A5819	72
A4527	64	A4772HT	59	A5015F	30	A5821	72
A4528	80	A4772S	59	A5015F	51	A5825	72
A4539	55	A4772S-6	59	A5016	30	A5848	34
A4539-14	55	A4772SDR-KIT	59	A5016	51	A5849	8
A4555	54	A4779	27	A5016F	30	A5850	47
A4555KIT	54	A4786-6	32	A5016F	51	A5861	34
A4566	38	A4786-8	32	A5052-10	53	A6010	79
A4566Straight	38	A4791	64	A5052-12	53	A6011	79
A4567	32	A4796	27	A5052-4	53	A6012	79
A4568	26	A4798	72	A5052-6	53	A6013	79
A4569	26	A4801	16	A5052-8	53	A6014	79
A4570	26	A4828	81	A5053-4	53	A6020	82
A4571	49	A4840	74	A5053-6	53	A6022	82
A4572	58	A4866	39	A5053-8	53	A6023	82
A4573	46	A4866X	39	A5054-10	53	A6024	82
A4574	46	A4866XB	39	A5054-12	53	A6027	82
A4575	47	A4866XB-Angled	39	A5054-16	53	A6028	82
A4587	46	A4867	39	A5054-6	53	A6035	82
A4588	50	A4869	85	A5054-8	53	A6037	82
A4589CAT676	45	A4869K	85	A5098	73	A6038	82
A4589CAT677	45	A4871	49	A5105L	59	A6039	82
A4589M	45	A4871X	49	A5105S	59	A6040	82
A4589Tii	45	A4872	58	A5106L	59	A6045	82
A4590	46	A4876	39	A5106S	59	A6046	82
A4591	47	A4886	32	A5166	36	A6047	82
A4592	60	A4886-5	32	A5166ASSEMBLED	36	A6050	30
A4592E	60	A4886B	32	A5166COMP	36	A6050	30
A4593	27	A4898	72	A5166COMP-ASS	36	A6050	30

PRODUCT CODE	PAGE	PRODUCT CODE	PAGE	PRODUCT CODE	PAGE	PRODUCT CODE	PAGE
A6050	51	A-621108	81	A8608	22	C253A	87
A6051	30	A-621110	81	A8612	22	C257	40
A6051	30	A6212	69	A8616	22	C270A	40
A6051	30	A-622104	81	A8639-10	23&57	D92058	85
A6051	51	A-622105	81	A8639-6	23&57	F630L	59
A6052	51	A-622106	81	A8639-8	23&57	FINN-BOOM	70
A6060	82	A-622108	81	A8739-10	23&57	FINN-LEVER	70
A6061	82	A-623104	81	A8739-18	23&57	KB HARNESS-RAD-L	86
A6062	82	A-623105	81	A8739-6	23&57	KB HARNESS-RAD-M	86
A6065	82	A-623106	81	A8739-8	23&57	KB HARNESS-RAD-S	86
A6066	82	A-623108	81	A8839	23&57	KB HARNESS-SKIFF-L	86
A6067	82	A-623110	81	A8939	23&57	KB HARNESS-SKIFF-M	86
A6068	82	A-624105	81	A9100	63	KB HARNESS-SKIFF-S	86
A6069	82	A-624106	81	A9150	63	KB HARNESS-SKIFF-XL	86
A6075	82	A-624108	81	A9151	63	MS7272	70
A6076	82	A-624110	81	A9152	63	S034L	89
A6077	82	A7000	73	A9153	63	SA..94	63
A6078	82	A7001	73	AB1342	27	SA.312	65
A6110	68	A7001	74	A-BAG-KIT	48	SA.873	65
A6110	68	A7002-1.0	73	AFCP512	59	SA4374	91
A6112	68	A7002-1.1	73	AFCP515	59	SA4574	91
A6112	68	A7002-1.2	73	AFCP518	59		
A6114	68	A7002-1.3	73	AFCP521	59		
A6114	68	A731705	85	AFCP525	59		
A6116	68	A731705-E	85	AFCP59	59		
A6116	68	A731706	85	AFCP621	59		
A6132	68	A731706-E	85	AFPP266	59		
A6132	68	A731707	85	AFPP266B	59		
A6134	68	A731707-E	85	AFPP266C	59		
A6134	68	A731708	85	ARBALL1/4D	91		
A6136	68	A731708-E	85	ARBALL1/4T	91		
A6136	68	A731709	85	ARBALL5T	91		
A6138	68	A731709-E	85	ASP2158L	91		
A6138	68	A731710	85	ASP2158R	91		
A6140	68	A731710-E	85	ASP2224L	91		
A6140	68	A7420	73	ASP2224R	91		
A6166	69	A7470	73	ASP4109	61		
A6167	69	A8040-34	55	C203	40		
A6168	69	A8040-56	55	C211M1	40		
A6169	69	A8331	90	C211M1A	40		
A6170	69	A8332	90	C211M2	40		
A6175	68	A8439-13	56	C211M2A	40		
A6176	68	A8439-17	56	C211MK2/S2	40		
A6177	68	A8439-21	56	C211MK2/S2AN	40		
A6178	68	A8439-25	56	C217M1	40		
A6180	87	A8439-29	56	C217M1A	40		
A6185	69	A8439-7	56	C218M1	40		
A6186	69	A8439-9	56	C218M1A	40		
A6187	69	A8539-13	56	C218M2	40		
A6188	69	A8539-17	56	C222	40		
A6200	69	A8539-21	56	C222A	40		
A6204	69	A8539-25	56	C230	40		
A6208	69	A8539-29	56	C236A	40		
A-621104	81	A8539-7	56	C253	40		
A-621105	81	A8539-9	56	C253	87		
A-621106	81	A8606	22	C253A	40		

BLOCKS

CLEATS &
JAMMERS

TRACK &
KEELBAND

DECK & HULL
FITTINGS

SPARS &
RIGGING

RUDDERSTOCK
& ACCESSORIES

SAILMAKERS
HARDWARE

SHACKLES

ACCESSORIES

official hardware supplier to the



SWE
Sailing Team



 **allen**

www.allenbrothers.co.uk

 [allensailinghardware](https://www.facebook.com/allensailinghardware)

 [@allen_sailing](https://twitter.com/allen_sailing)

 [@allen_sailing](https://www.instagram.com/allen_sailing)

 sales@allenbrothers.co.uk