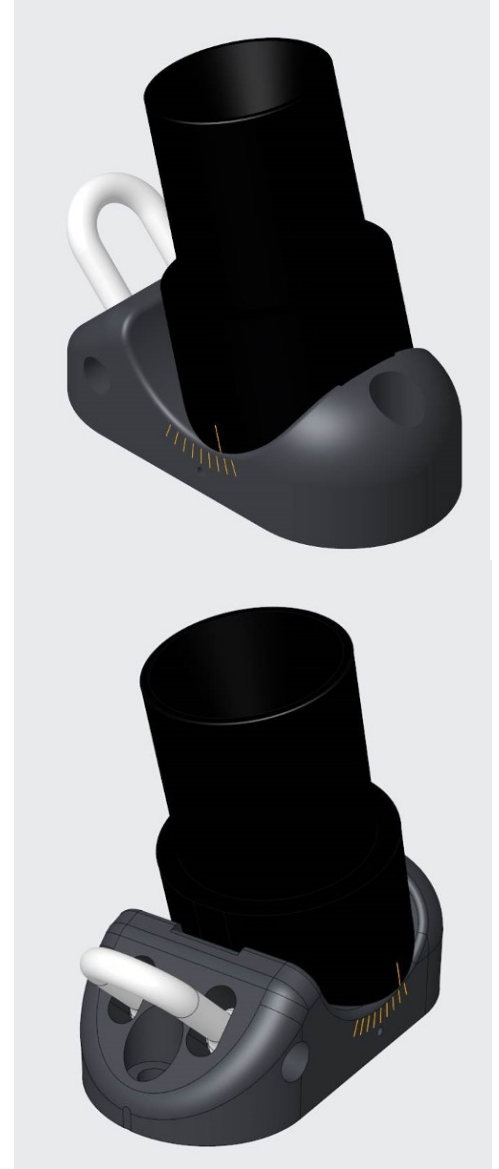
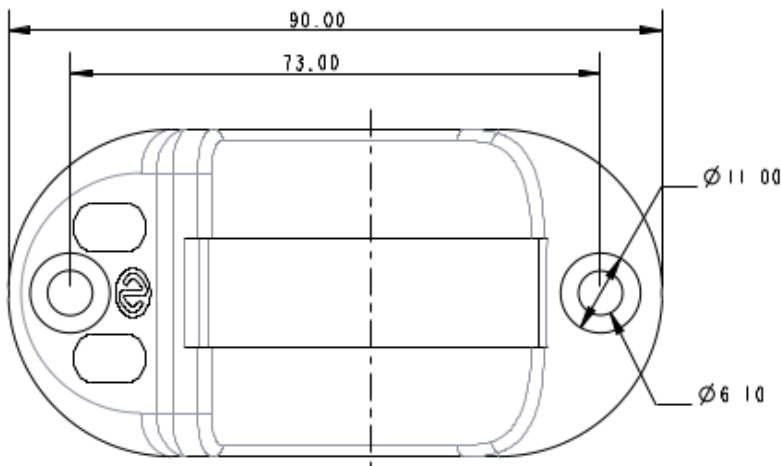


# A9100



- Product Description: Pivoting Mast Step
- Length: 90mm
- Width: 45mm
- Height: 30mm
- Fixing Hole Centres Fore And Aft: 66mm
- Fixing Hole Centres Port And Starboard: 33mm
- Raking Calibration Marks: 2.5 Degrees
- Weight: 173g



**Details:** The pivoting mast step is designed for dinghies or small keelboats that have easily adjustable rigging whilst sailing. By allowing the mast heel to pivot it reduces loading points in the deck of the boat and spreads the forces more evenly. Having a pivoting mast step also allows for a consistent mast bend profile resulting in more accurate rig setup. CNC machined from 6082 Aluminium, anodised black.