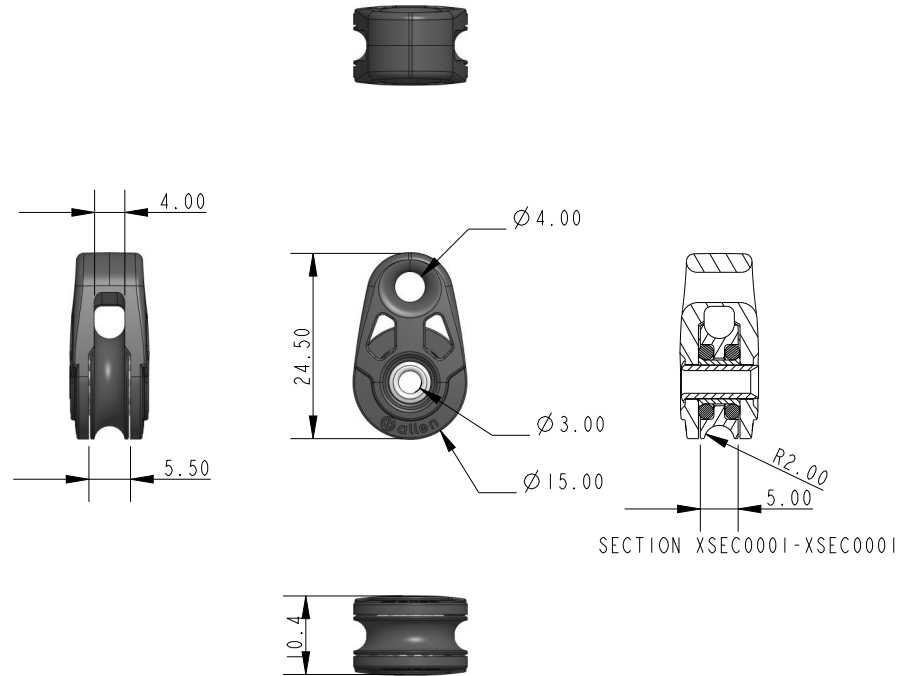


SCALE 2:1



Specification

Length mm	Line Diameter mm	Shackle Pin mm	Breaking Load kg	MWL kg	Weight g
24.5	3.5	-	240	75	4

DIMENSIONS FOR REFERENCE ONLY
 allenbrothers.co.uk
 +44(0)1621 772477

Title	Description
A2015TII-REF	15mm Dynamic Tii-On Block